

DH-IPC-HDB(W)8281-Z

2MP Starlight Ultra-smart Network (IR) Dome Camera



Features

- 1/1.9" 2 Megapixel progressive scan CMOS
- Support H.264,MJPEG dual codec
- Smart triple streams supported
- Max 50/60fps@1080P
- Light-Hunt: 0.005Lux/F1.65 (Color)
- Ultra WDR (Wide Dynamic Range) up to 120dB
- Ultra 3D DNR
- Ultra Defog, ROI, EIS
- Smart detection
- Intelligent Function
- 4~8mm varifocal motorized lens
- Micro SD memory,IP66,IK10,PoE

DH-IPC-HDB(W)8281-Z

Technical Specifications

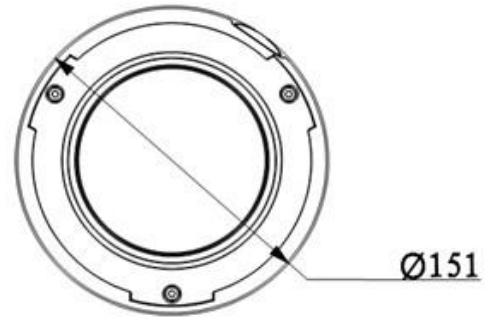
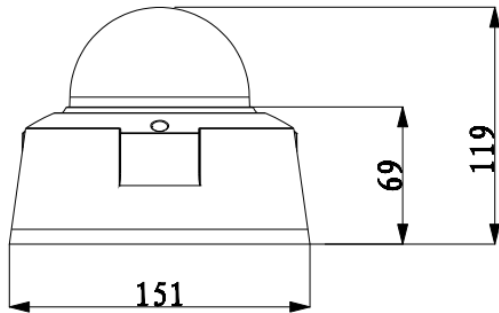
Model	IPC-HDB8281-Z		IPC-HDBW8281-Z
Camera			
Image Sensor	1/1.9" 2Megapixel progressive scan Exmor CMOS		
Effective Pixels	1920(H)x1080(V)		
Scanning System	Progressive		
Electronic Shutter Speed	Auto/Manual 1/3(4)~1/10000		
Min. Illumination	0.005Lux/F1.65 (Color), 0Lux/F1.65(IR on)		
S/N Ratio	More than 50dB		
Video Output	1 port		
Camera Features			
Max. IR LEDs Length	N/A	30m	
Day/Night	Auto(ICR)/Color/B/W		
Backlight Compensation	BLC / HLC / WDR(120 dB)		
White Balance	Auto		
Gain Control	Auto/Manual		
Noise Reduction	3D		
Privacy Masking	Up to 4 areas		
Lens			
Focal Length	4~8mm		
Max Aperture	F1.65		
Focus Control	Auto		
Angle of View	H: 105°(Wide)~56°(Tele)		
Lens Type	Motorized /Auto Iris(DC)		
Mount Type	Board-in Type		
Video			
Compression	H.264 / MJPEG		
Resolution	1080P(1920×1080) / 720P(1280×720) / D1(704×576) / CIF(352×288)		
Frame Rate	Main Stream	1080P/720P(1~50/60fps)	
	Sub Stream	D1/CIF(1 ~ 50/60fps)	
	Third Stream	1080P/720P/D1(1~25/30fps)	
Bit Rate	H.264: 32K ~ 8192Kbps		
Audio			
Compression	G.711a / G.711u		
Interface	1/1 channel In/Out		
Smart Function			
Smart detection	Tripwire		
	Intrusion		
	Scene change		
	Missing/Abandoned		
	Audio detect		
Intelligent function	People counting		

DH-IPC-HDB(W)8281-Z

	Heat map
Network	
Ethernet	RJ-45 (10/100Base-T)
Wi-Fi	N/A
Protocol	IPv4/IPv6, HTTP, HTTPS, SSL, TCP/IP, UDP, UPnP, ICMP, IGMP, SNMP, RTSP, RTP, SMTP, NTP, DHCP, DNS, PPPOE, DDNS, FTP, IP Filter, QoS, Bonjour
ONVIF	ONVIF PSIA CGI
Max. User Access	20 users
Smart Phone	iPhone, iPad, Android, Windows Phone
Auxiliary Interface	
Memory Slot	Micro SD, Max 64GB
RS485	N/A
Alarm	1perd)1.2(IR LED /1 channel In/Out
PIR Sensor Range	N/A
General	
Power Supply	DC12V/AC24V, PoE(802.3af)
Power Consumption	<12W (IR on: +2W)
Working Environment	-30°C~+60°C , Less than 95%RH
Ingress Protection	IP66
Vandal Resistance	IK10
Dimensions	Φ151mm×119mm
Weight	1.25kg

DH-IPC-HDB(W)8281-Z

Dimensions (mm)



Accessories (optional)

				
PFA100	PFB302S	PFA132	PFA152	PFA151

Dahua Technology Co., Ltd.

1199 BinAn Road, Binjiang District, Hangzhou, China

Tel: +86-571-87688883

Fax: +86-571-87688815

Email: overseas@dahuatech.com

www.dahuatech.com

*Design and specifications are subject to change without notice.

© 2014 Dahua Technology Co., Ltd.