

## DH-IPC-HD1000C-W

---

### 1MP HD Wi-Fi Mini Dome Camera



#### Features

- 1/4" 1Megapixel progressive scan CMOS
- H.264 & MJPEG dual-stream encoding
- Max 25/30fps@720P(1280×720)
- DWDR, Day/Night, 3DNR, AWB, AGC, BLC
- Multiple network monitoring: Web viewer, CMS(DSS/PSS) & DMSS
- 3.6mm fixed lens (2.8mm,6mm optional)
- Wi-Fi support
- DC12V,

# DH-IPC-HD1000C-W

## Technical Specifications

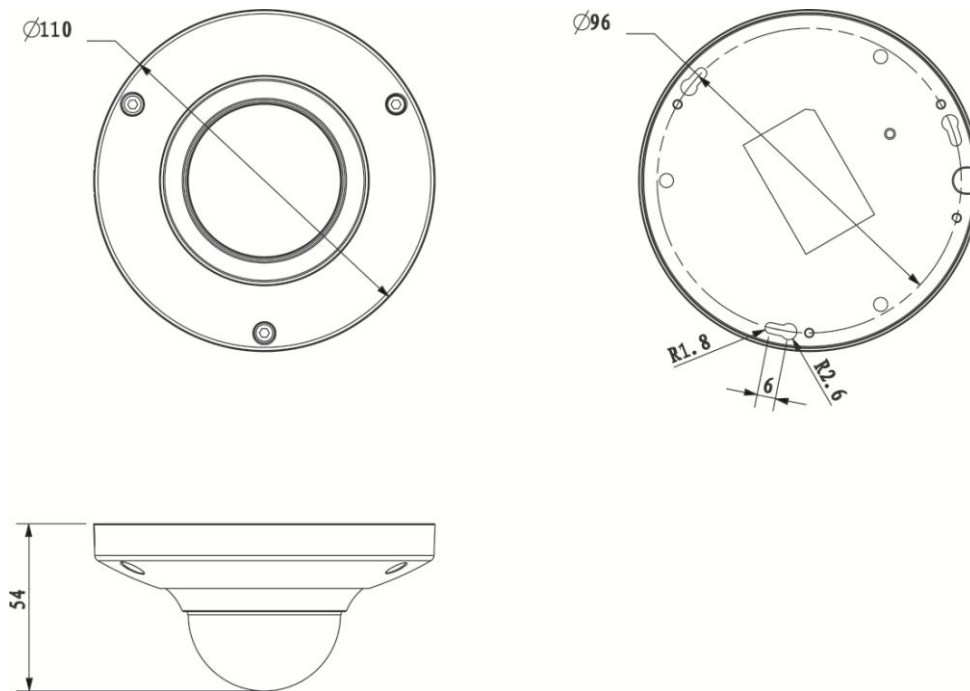
<b>Model</b>	<b>DH-IPC-HD1000C-W</b>	
<b>Camera</b>		
Image Sensor	1/4" 1Megapixel progressive scan CMOS	
Effective Pixels	1280(H)x720(V)	
Scanning System	Progressive	
Electronic Shutter Speed	Auto/Manual 1/3 (4) ~1/10000	
Min. Illumination	0.1Lux/F1.8(color), 0Lux/F1.8(IR on)	
S/N Ratio	More than 50dB	
Video Output	N/A	
<b>Camera Features</b>		
Max. IR LEDs Length	N/A	
Day/Night	Auto(Electronic) / Color / B/W	
Backlight Compensation	BLC /HLC /DWDR	
White Balance	Auto	
Gain Control	Auto/Manual	
Noise Reduction	3D	
Privacy Masking	Up to 4 areas	
<b>Lens</b>		
Focal Length	3.6mm (2.8mm,6mm optional)	
Max Aperture	F1.8(F2.0/F1.9)	
Focus Control	Manual	
Angle of View	H:70°(89°/46.5°)	
Lens Type	Fixed	
Mount Type	Board-in Type	
<b>Video</b>		
Compression	H.264 / MJPEG	
Resolution	720P(1280×720)/ D1(704×576/704×480)/ CIF(352×288/352×240)/	
Frame Rate	Main Stream	720P(1 ~ 25/30fps)
	Sub Stream	D1/CIF(1 ~ 25/30fps)
Bit Rate	H.264: 56K ~ 8192Kbps	
<b>Audio</b>		
Compression	N/A	
Interface	N/A	
<b>Network</b>		
Ethernet	RJ-45 (10/100Base-T)	
Wi-Fi	Wi-Fi(802.11b/g/n)	
Protocol	IPv4/IPv6, HTTP, HTTPS, SSL, TCP/IP, UDP, UPnP, ICMP, IGMP, SNMP, RTSP, RTP, SMTP, NTP, DHCP, DNS, PPPOE, DDNS, FTP, IP Filter, QoS, Bonjour	
ONVIF	ONVIF ,CGI	
Max. User Access	20 users	

## DH-IPC-HD1000C-W



Smart Phone	iPhone, iPad, Android, Windows Phone
<b>Auxiliary Interface</b>	
Memory Slot	N/A
RS485	N/A
Alarm	N/A
PIR Sensor Range	N/A
<b>General</b>	
Power Supply	DC12V
Power Consumption	<4W
Working Environment	-30°C~+50°C, Less than 95%RH
Ingress Protection	N/A
Vandal Resistance	N/A
Dimensions	Φ110×54mm
Weight	0.25kg

# DH-IPC-HD1000C-W

## Dimensions (mm)



## Accessories (optional)

	
PFA131	PFB200W

---

### Dahua Technology Co., Ltd.

1187 BinAn Road, Binjiang District, Hangzhou, China

Tel: +86-571-87688883

Fax: +86-571-87688815

Email: [overseas@dahuatech.com](mailto:overseas@dahuatech.com)

[www.dahuatech.com](http://www.dahuatech.com)

\*Design and specifications are subject to change without notice.

© 2013 Dahua Technology Co., Ltd.