

DH-CA-FW181D

720TVL HDIS Day/Night Waterproof IR Camera



Features

- > 1/3" HDIS
- > High resolution of 720TVL(Color)
- > Day/Night(ICR), ATW, AGC, BLC
- > 6mm fixed lens (2.8 mm, 3.6mm, 8mm optional)
- > Max. IR LEDs length 30m, Smart IR
- > IP66, DC12V

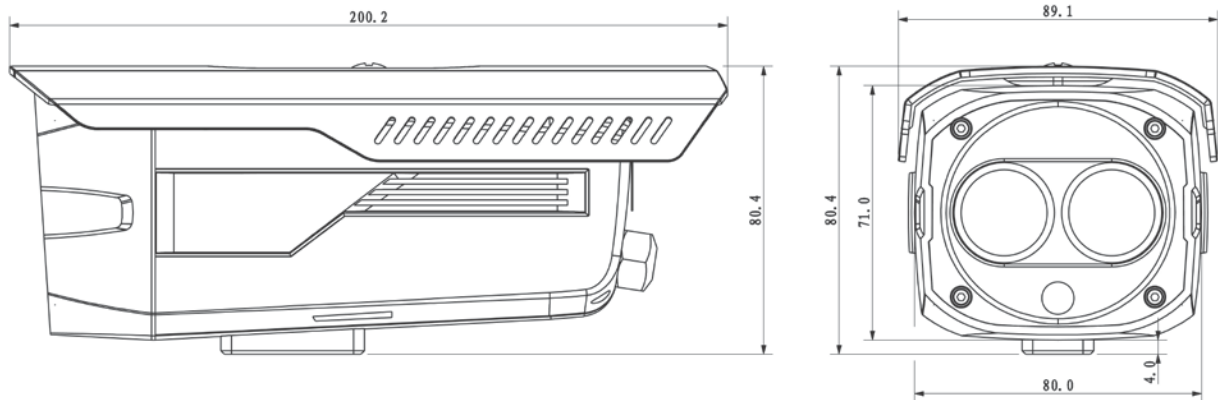
DH-CA-FW181D

Technical Specifications

Model	DH-CA-FW181DP	DH-CA-FW181DN
Camera		
Image Sensor	1/3" HDIS	
Effective Pixels	960(H)×480(V)	
Horizontal Resolution	Color: 720TVL	
Electronic Shutter	1/50s~1/100,000s	1/60s~1/100,000s
Synchronization	Internal	
Min. Illumination	0.02Lux@F1.2(0Lux IR LED on)	
S/N Ratio	> 65dB(AGC Off)	
Video Output	1Vp-p Composite Output (75Ω/BNC)	
Camera Features		
Max. IR LEDs Length	30m, Smart IR	
Day/Night	Auto(ICR) / Color / B/W	
Backlight Compensation	BLC	
White Balance	Auto	
Gain Control	Auto	
Lens		
Focal length	6mm (2.8 mm, 3.6mm, 8mm optional)	
Mount Type	M12	
General		
Power Supply	DC12V±10%	
Power Consumption	Max 4.5W	
Working Environment	-40°C~+60°C / 20%~80%RH	
Ingress Protection	IP66	
Dimensions(W×D×H)	200.2mm×89.1mm×80.4mm	
Weight	450g	

DH-CA-FW181D

Dimensions (mm)



Dahua Technology Co., Ltd.

1187 BinAn Road, Binjiang District, Hangzhou, China

Tel: +86-571-87688883

Fax: +86-571-87688815

Email: overseas@dahuatech.com

www.dahuasecurity.com

*Design and specifications are subject to change without notice.

© 2013 Dahua Technology Co., Ltd.