

DH-CA-DW480E

700TVL Water-proof IR Mini Dome Camera



Features

- 1/3" SONY Super HAD CCD II & Effio-E DSP
- High resolution of 700TVL
- DWDR, Day/Night, AWB, AGC, BLC, Smart IR
- 6mm fixed lens (2.8mm,3.6mm, 8mm optional)
- Max. IR LEDs length 20m, Smart IR
- IP66, DC12V

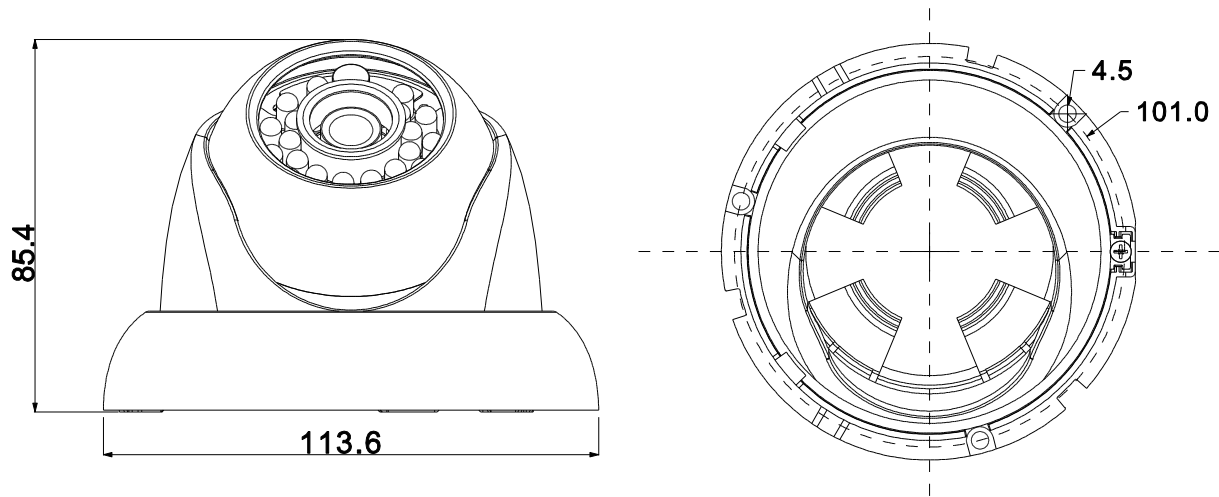
DH-CA-DW480E

Technical Specifications

Model	DH-CA-DW480EP	DH-CA-DW480EN
Camera		
Image Sensor	1/3" Super HAD CCD II	
Effective Pixels	976(H) x 582(V), 570K pixels	976(H) x 494(V), 480K pixels
Horizontal Resolution	700TVL	
Electronic Shutter	1/50s~1/100,000s	1/60s~1/100,000s
Min. Illumination	0.02Lux@F1.2(0Lux IR LED on)	
S/N Ratio	> 60dB	
Video Output	1Vp-p Composite Output (75Ω/BNC)	
Camera Features		
Max. IR LEDs Length	20m, Smart IR	
Day/Night	Auto(Electronic) / Color / B/W	
Backlight Compensation	BLC / DWDR	
White Balance	Auto	
Gain Control	Auto	
Lens		
Focal length	6mm (2.8mm,3.6mm, 8mm optional)	
Mount Type	M12	
General		
Power Supply	DC12V±10%	
Power Consumption	Max 3W	
Working Environment	-30°C~+60°C / 20%~80%RH	
Ingress Protection	IP66	
Dimensions	Φ113.6mm × 85.4mm	
Weight	300g	

DH-CA-DW480E

Dimensions (mm)



Dahua Technology Co., Ltd.

1187 BinAn Road, Binjiang District, Hangzhou, China

Tel: +86-571-87688883

Fax: +86-571-87688815

Email: overseas@dahuatech.com

www.dahuatech.com

*Design and specifications are subject to change without notice.

© 2013 Dahua Technology Co., Ltd.