

## DH-CA-DW470E

---

### 600TVL Water-proof IR Mini Dome Camera



#### Features

- > 1/3" SONY Super HAD CCD II
- > High resolution of 600TVL(Color)
- > DWDR, Day/Night, AWB, AGC, BLC,MD, Privacy Masking, Picture Adjustment
- > 3.6mm fixed lens (2.8mm, 6mm, 8mm optional)
- > Max. IR LEDs length 20m
- > OSD, IP66, DC12V

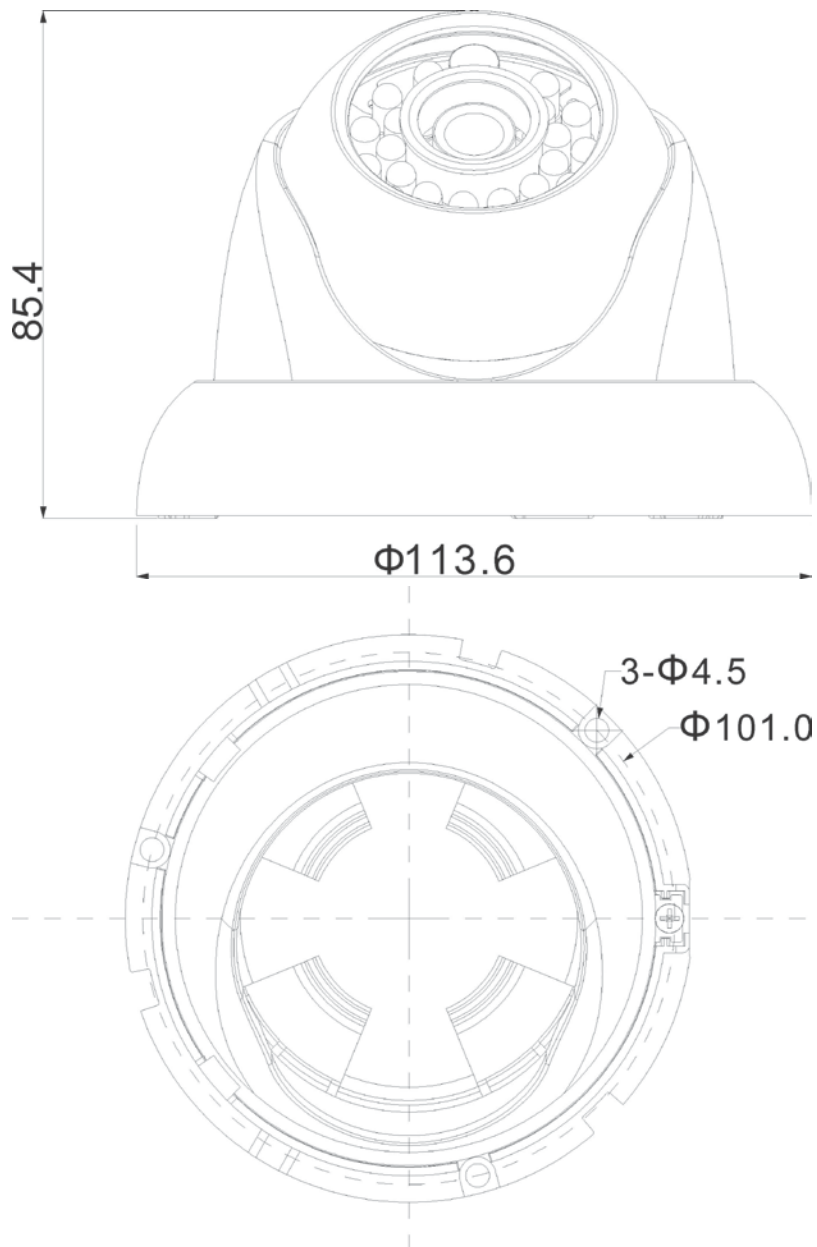
## DH-CA-DW470E

### Technical Specifications

Model	DH-CA-DW470EP	DH-CA-DW470EN
<b>Camera</b>		
Image Sensor	1/3" SONY Super HAD CCD II	
Effective Pixels	752(H) x 582(V)	
Horizontal Resolution	Color: 600TVL	
Electronic Shutter	1/50s~1/100,000s	1/60s~1/100,000s
Synchronization	Internal	
Min. Illumination	0.1Lux@F1.2(0Lux IR LED on)	
S/N Ratio	> 60dB(AGC Off)	
Video Output	1Vp-p Composite Output (75Ω/BNC)	
<b>Camera Features</b>		
Max. IR LEDs Length	20m	
OSD	English, Chinese, Spanish, Russian	
Day/Night	Auto(Electronic) / Color / B/W	
Backlight Compensation	BLC / HLC / DWDR	
White Balance	Auto Trace WB1 / Auto Trace WB2 / Manual / Auto	
Gain Control	Auto / Manual	
Noise Reduction	Off / 2D	
Privacy Masking	Up to 8 areas	
Picture Adjustment	Mirror / Brightness / Contrast / Sharpness / Hue / Gain	
<b>Lens</b>		
Focal Length	3.6mm (2.8mm, 6mm, 8mm optional)	
Mount Type	M12	
<b>General</b>		
Power Supply	DC12V±10%	
Power Consumption	Max 2.5W	
Working Environment	-30°C~+60°C / 20%~80%RH	
Ingress Protection	IP66	
Dimensions	Φ113.6mm x 85.4mm	
Weight	300g	

## DH-CA-DW470E

### Dimensions (mm)



#### Dahua Technology Co., Ltd.

1187 BinAn Road, Binjiang District, Hangzhou, China

Tel: +86-571-87688883

Fax: +86-571-87688815

Email: [overseas@dahuatech.com](mailto:overseas@dahuatech.com)

[www.dahuatech.com](http://www.dahuatech.com)

\*Design and specifications are subject to change without notice.

© 2012 Dahua Technology Co., Ltd.