

## DH-CA-DW171C

### 600TVL Waterproof IR Dome Camera



#### Features

- > 1/3" HDIS
- > High resolution of 600TVL(Color)
- > Day/Night(ICR), AWB, AGC, BLC
- > 3.6mm fixed lens (2.8mm, 6mm, 8mm, 12mm optional)
- > Max. IR LEDs length 20m (50m optional) , Smart IR
- > IP66, DC12V

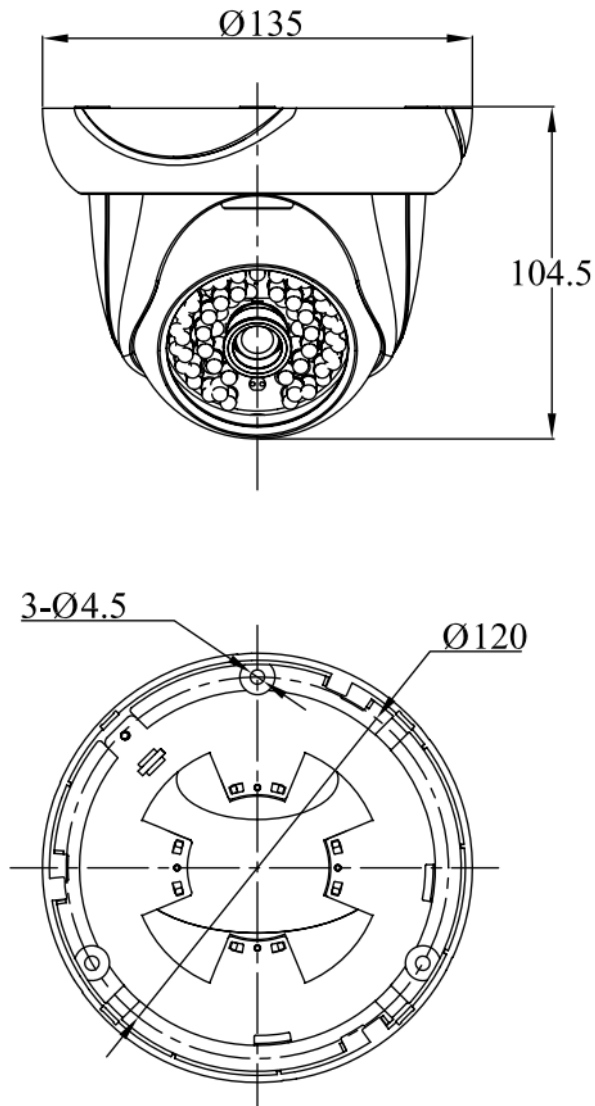
# DH-CA-DW171C

## Technical Specifications

Model	DH-CA-DW171CP	DH-CA- DW171CN
<b>Camera</b>		
Image Sensor	1/3" HDIS	
Effective Pixels	720(H) x480(V) 340K pixels	
Horizontal Resolution	Color: 600TVL	
Electronic Shutter	1/50s~1/100,000s	1/60s~1/100,000s
Synchronization	Internal	
Min. Illumination	0.1Lux@F1.2(0Lux IR LED on)	
S/N Ratio	>60dB(AGC Off)	
Video Output	1Vp-p Composite Output (75Ω/BNC)	
<b>Camera Features</b>		
Max. IR LEDs Length	20m (50m optional), Smart IR	
Day/Night	Auto(ICR) / Color / B/W	
Backlight Compensation	BLC	
White Balance	Auto	
Gain Control	Auto	
<b>Lens</b>		
Focal Length	3.6mm(2.8mm, 6mm, 8mm, 12mm optional)	
Mount Type	M12	
<b>General</b>		
Power Supply	DC12V±10%	
Power Consumption	Max 3.5W	
Working Environment	-40°C~+60°C / 20%~80%RH	
Ingress Protection	IP66	
Dimensions	Φ135mm × 104mm	
Weight	600g	

## DH-CA-DW171C

### Dimensions (mm)



---

### Dahua Technology Co., Ltd.

1187 BinAn Road, Binjiang District, Hangzhou, China

Tel: +86-571-87688883

Fax: +86-571-87688815

Email: [overseas@dahuatech.com](mailto:overseas@dahuatech.com)

[www.dahuatech.com](http://www.dahuatech.com)

\*Design and specifications are subject to change without notice.

© 2012 Dahua Technology Co., Ltd.