

DH-CA-DB480C

700TVL Vandal-proof Mini Dome Camera



Features

- > 1/3" SONY EXview HAD CCD II & Effio-E DSP
- > High resolution of 700TVL(Color)
- > DWDR, Day/Night, 2DNR, AWB, AGC,BLC, MD, Privacy Masking, Picture Adjustment
- > 3.6mm fixed lens (2.8mm, 6mm, 8mm,12mm optional)
- > OSD, IK10, IP66, DC12V

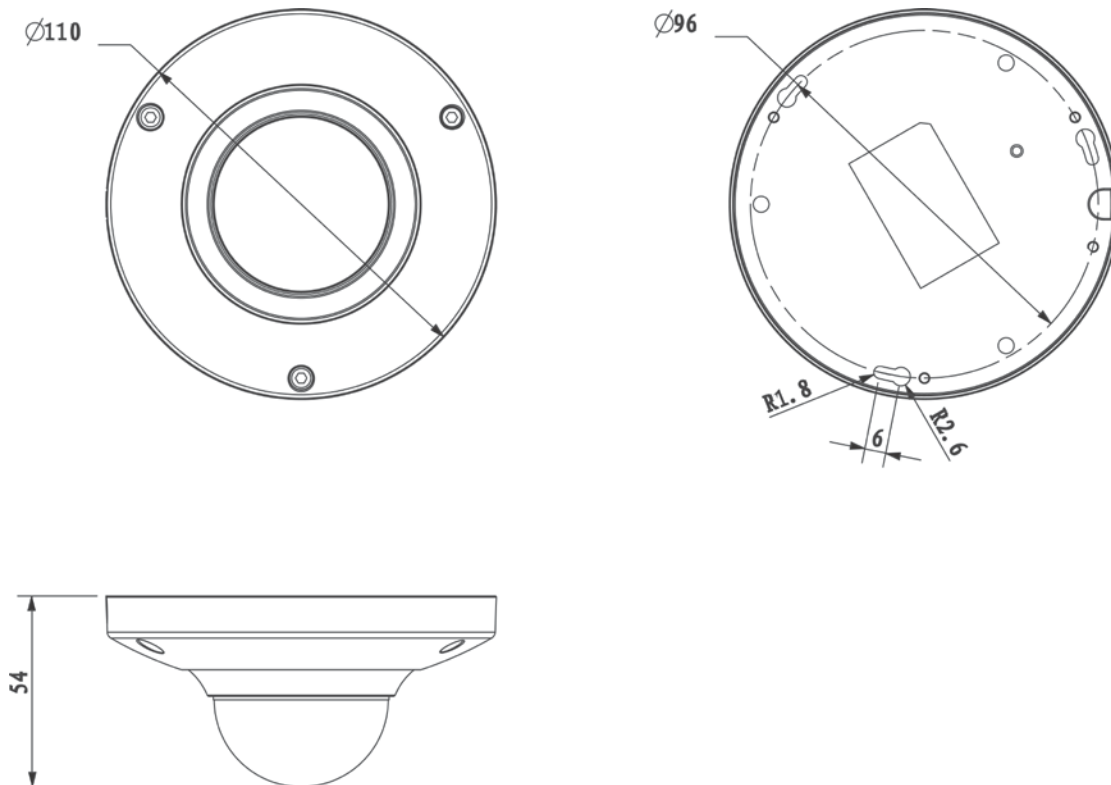
DH-CA-DB480C

Technical Specifications

| Model | DH-CA-DB480CP | DH-CA-DB480CN |
|------------------------|--|------------------------------|
| Camera | | |
| Image Sensor | 1/3" EXview HAD CCD II | |
| Effective Pixels | 976(H) x 582(V), 570K pixels | 976(H) x 494(V), 480K pixels |
| Horizontal Resolution | Color: 700TVL | |
| Electronic Shutter | 1/50s~1/100,000s | 1/60s~1/100,000s |
| Synchronization | Internal | |
| Min. Illumination | 0.05Lux@F1.2 | |
| S/N Ratio | >60dB | |
| Video Output | 1Vp-p Composite Output (75Ω/BNC) | |
| Camera Features | | |
| OSD | English, Chinese, French, German, Russian, Spanish, Portuguese, Japanese | |
| Day/Night | Auto(Electronic) / B/W / Color | |
| Backlight Compensation | BLC / HLC / DWDR | |
| White Balance | Auto | |
| Gain Control | Auto / Manual | |
| Noise Reduction | 2D | |
| Privacy Masking | Up to 4 areas | |
| Picture Adjustment | Mirror / Brightness / Contrast / Sharpness / Hue / Gain | |
| Lens | | |
| Focal length | 3.6mm fixed lens (2.8mm, 6mm, 8mm,12mm optional) | |
| Mount Type | M12 | |
| General | | |
| Power Supply | DC12V±10% | |
| Power Consumption | Max 1.5W | |
| Working Environment | -30°C~+60°C / 20%~80%RH | |
| Protection Level | IK10, IP66 | |
| Dimensions | Φ110mm x 54mm | |
| Weight | 250g | |

DH-CA-DB480C

Dimensions (mm)



Dahua Technology Co., Ltd.

1187 BinAn Road, Binjiang District, Hangzhou, China

Tel: +86-571-87688883

Fax: +86-571-87688815

Email: overseas@dahuatech.com

www.dahuatech.com

*Design and specifications are subject to change without notice.

© 2012 Dahua Technology Co., Ltd.