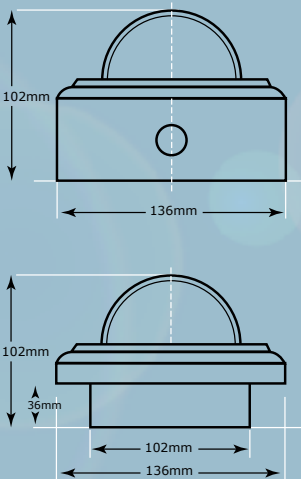




Features

- Machined from a solid block of aluminium
- Toughened polycarbonate dome cover
- Internal or external IP 66 tested
- High resolution colour and mono with Vari-focal DC auto iris lens
- True Day/Night with Vari-focal DC auto iris lens
- Unique manual pan and tilt camera cradle
- Side and rear conduit cable entry
- Stainless steel tamper-proof screws with hex key
- Surface mount for wall or ceiling
- Flush mount version available

Dimensions



Specifications

Items	High Resolution Monochrome Vari-focal DC Iris Lens	High Resolution Colour Vari-focal DC Iris Lens	Medium Resolution Colour True Day / Night Vari-Focal DC Iris	High Colour Resolution Colour True Day / Night Vari-Focal DC Iris
Wall Model	AD-HMV	AD-HCV	AD-MTDNV	AD-HTDNDV
Flush Model	FAD-HMV	FAD-HCV	FAD-MTDNV	FAD-HTDNDV
Image Sensor	1/3" Sony Super Had CCD	1/3" Sony Super Had CCD	1/3" Sony Super Had CCD	1/3" Sony Super Had CCD
Power	12V DC 120mA	12V DC 140mA	12V DC 140mA	12V DC 140mA
TV System	PAL or NTSC (Add N at the end of the code for NTSC)			
Resolution	600 TV Lines	480 TV Lines	380 TV Lines	480 TV Lines
Sensitivity	0.05 LUX F 1.2	0.5 LUX F 1.3	0.5 LUX F 1.3	0.5 LUX F 1.3
Lens	DC Auto Iris 3.8~9.5 mm	DC Auto Iris 3.8~9.5 mm	DC Auto Iris 3.8~9.5 mm	DC Auto Iris 3.8~9.5 mm
Dip Switch Control	DC Level Control	ELC on/off, BLC on/off AGC on/off, DC Level Control	ELC on/off, BLC on/off AGC on/off, DC Level Control	ELC on/off, BLC on/off AGC on/off, DC Level Control
Colour	Satin chrome as standard. (Polished chrome option)		Rating IP 66	Weight 1.40 kg

Machined from solid aluminium the high impact armoured dome is available as a wall or flush mount. This rugged dome is fitted with reinforced clear polycarbonate with a smoke insert made to withstand a 10 pound sledgehammer.

Cameras are fitted in a unique metal manual pan and tilt cradle which can be adjusted to view sideways or up and down. All units are fitted with 3.8-9.5mm Vari-focal DC Auto Iris lens as standard.

True IR Day Night function works by using a motorized filter which changes from day to night mode. The Day/Night cameras are available in medium or high resolution all with Vari-focal DC auto iris lens as standard, Dip Switch Controls are fitted on all high colour cameras. The signal processor provides an excellent picture quality in both day and night.

Easy to install the Saturn comes complete with: 1.8 metres of power cable with BNC, Stainless steel tamper resistant screws and hex key.

True IR Day/Night Camera



True High Colour by Day



True High Mono by Night

British engineering at it's best

