

TG2616FCS-4

2.6mm F1.6
for 1/3 type Cameras, Fixed-focal Auto Iris DC Drive
CS-Mount

with Focus, w/o Amplifier

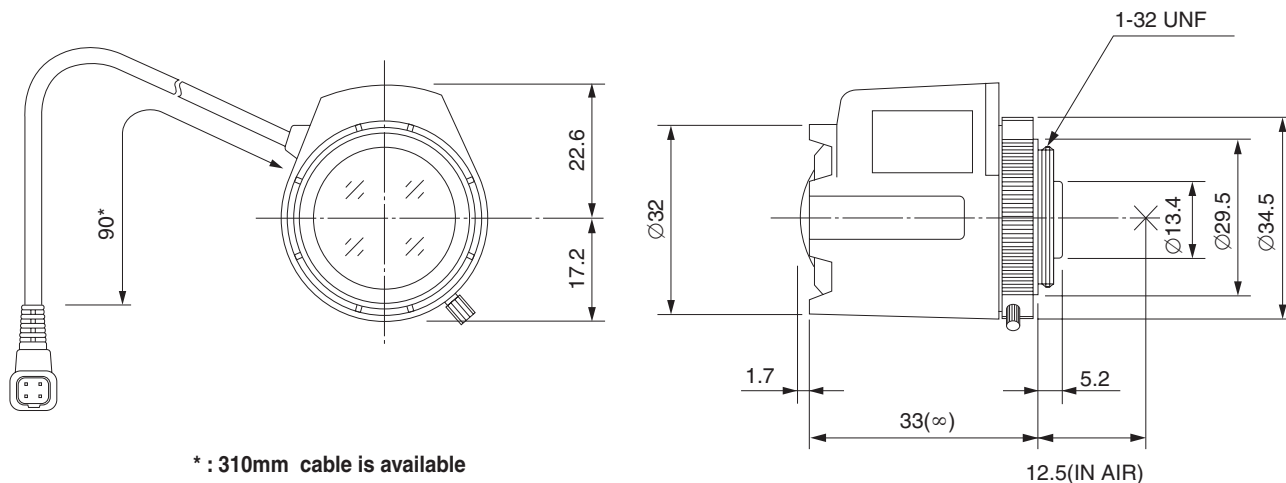
1/3
type

| | | | | | | |
|----------------------------|---------------------|--------------|--------------------|-------------------------|---------|-------|
| Model No. | TG2616FCS-4 | | Effective | Front | Ø16.4mm | |
| Focal Length | 2.6mm | | Lens Aperture | Rear | Ø8mm | |
| Max. Aperture Ratio | 1:1.6 | | Back Focal Length | 7.5mm | | |
| Max. Image Format | 4.8mm x 3.6mm(Ø6mm) | | Flange Back Length | 12.5mm | | |
| Operation Range | Iris | F1.6 - F360C | Mount | CS-Mount | | |
| | Focus | 0.3m - Inf. | Filter Size | — | | |
| Control | Iris | DC Auto Iris | Dimensions | Ø32mm x 39.8mm x 34.7mm | | |
| | Focus | Manual | Weight | 42g | | |
| Object Dimension at M.O.D. | 71cm x 46.4cm | | | | | |
| Angle of View | D | 1/3 type | 123.0° | 1/4 type | 93.8° | |
| | H | | | | | 99.6° |
| | V | | | | | 75.4° |
| Coil | Drive | 190Ω | | | | |
| | Control | 855Ω | | | | |
| Operating Temperature | -20°C - +50°C | | | | | |

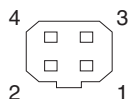
M.O.D : Minimum Object Distance

Dimensions

CS



Wiring Diagram



Pin No.

| | | |
|---|--------|-------------|
| 1 | BROWN | Control (-) |
| 2 | RED | Control (+) |
| 3 | YELLOW | Drive (+) |
| 4 | ORANGE | Drive (-) |