

TG0412AFCS-3

4.0mm F1.2
for 1/3" format cameras
CS-Mount

with Focus & Amplifier

| | | | | | |
|----------------------------|---|----------------------------|--------------------|-------|-------------------------|
| Model No. | TG0412AFCS-3 | | Effective | Front | φ 15.5 mm |
| Focal Length | 4.0mm | | Lens Aperture | Rear | φ 8.5mm |
| Max. Aperture Ratio | 1 : 1.2 | | Back Focal Length | | 7.7 mm |
| Max. Image Format | 4.8 x 3.6mm (φ 6mm) | | Flange Back Length | | 12.5 mm |
| Operation Range | Iris | F1.2 ~ 360 | Mount | | CS-Mount |
| | Focus | 0.2m ~ Inf. | Filter Size | | M30.0 P=0.5 |
| Control | Iris | Auto Iris(by galvanometer) | Dimensions | | φ 32.0 × 39.8 × 33.0 mm |
| | Focus | Manual | Weight | | 42g |
| Object Dimension at M.O.D. | 24.9 x 18.3cm | | | | |
| Angle of View | D | | | | 76.9° |
| | H | 1/3" | | | 63.9° |
| | V | | | | 49.1° |
| Supply Voltage | DC8 ~ 16V | | | | |
| Current | Less than 35mA | | | | |
| Response Time | Approx. 2 sec. | | | | |
| Light Weighting Method | Adjustable between Average - Peak (to be set at Average at factory) | | | | |
| Input Signal | Video Signal (V or VS) | | | | |
| Iris Accuracy | ± 15% at Video Signal Level | | | | |
| Sensitivity Adjustment | 0.5 ~ 1.0Vp-p (Video Signal) | | | | |
| Input Impedance | High Impedance | | | | |
| Operating Temperature | -20 ~ +50° C | | | | |

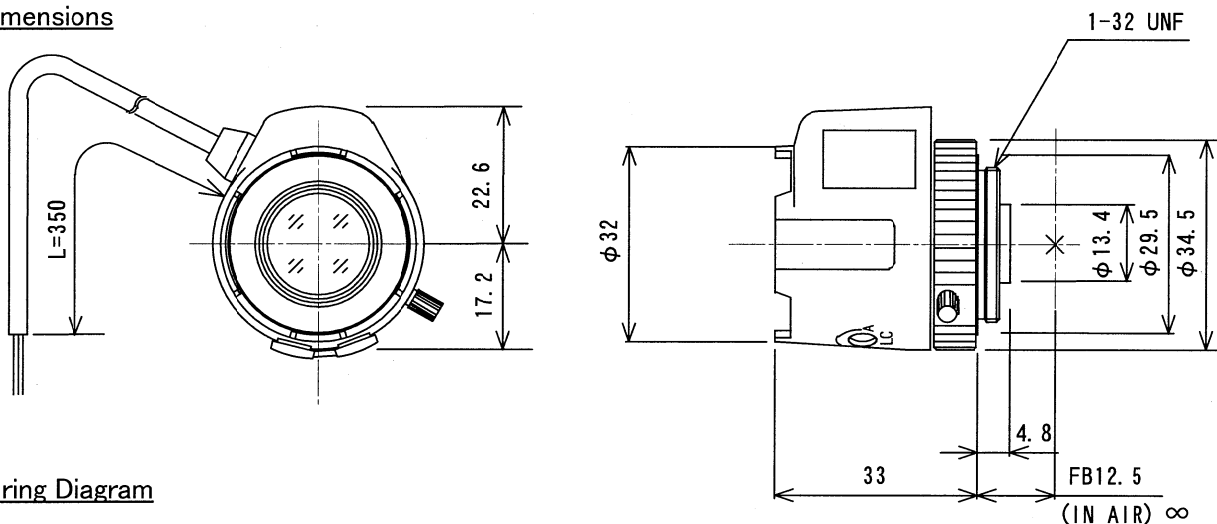
1/3

CS

AG

M.O.D. : Minimum Object Distance

Dimensions



Wiring Diagram

