

## MCA2513APC

25.0mm F1.3

for 1" format camera

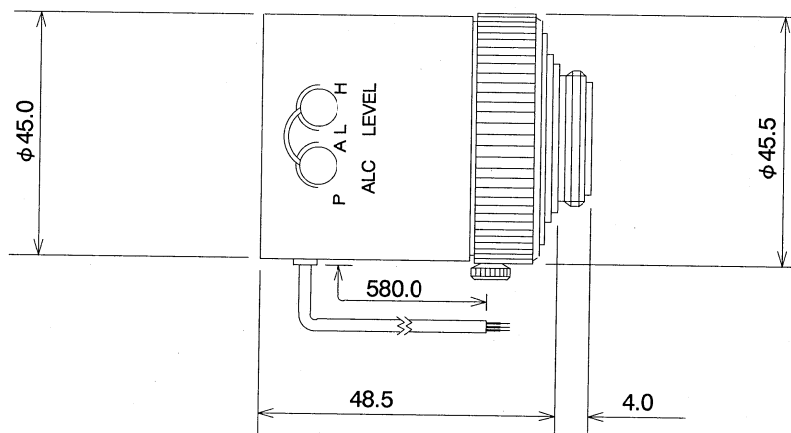
C-Mount

with Amplifier, with Focus

Model No.	MCA2513APC	Effective	Front	φ 18.9 mm
Focal Length	25.0 mm	Lens Aperture	Rear	φ 18.2 mm
Max. Aperture Ratio	1:1.3	Back Focal Length		16.65 mm
Max. Image Format	12.8×9.6 mm (φ 16 mm)	Flange Back Length		17.526 mm
Operation	Iris	Auto Iris F1.3~360	Mount	C-Mount
		(Auto close system)	Filter Size	M43.0 x 0.75mm
	Focus	Manual, 0.5m~Inf.	Dimensions	φ 45.5×48.5 mm
Object Dimension at M.O.D.	26.1 x 19.4 cm	Weight		155 g
Angle of View	D			36.6°
	H	1"		29.3°
	V			22.0°
Supply Voltage	DC 8~16 V			
Current	Less than 50 mA			
Transit Time	Approx. 2 sec.			
Light Weighting Method	Adjustable between Average - Peak ( to be set at Average at factory )			
Input Signal	Video Signal ( V or VS )			
Iris Accuracy	± 10% at Video Signal Level			
Sensitivity Adjustment	0.5~1.0Vp-p ( Video Signal )			
Input Impedance	High Impedance			
Operating Temperature	-20 C~+50 C			

M.O.D. : Minimum Object Distance

### Dimensions



### Wiring Diagram

