

HG1814FCS

18mm F1.4

for 1/2" format camera

CS-Mount

with Focus, w/o Amplifier

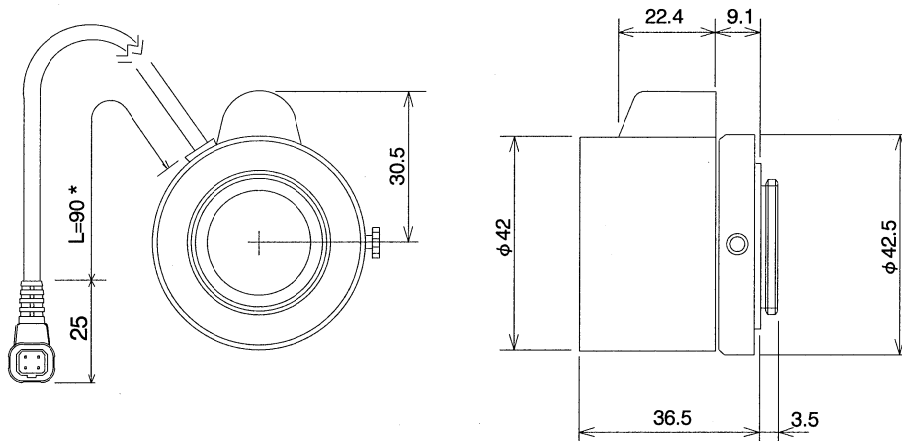
Model No.	HG1814FCS	Effective	Front	φ 14.0 mm
Focal Length	18 mm	Lens Aperture	Rear	φ 8.6 mm
Max. Aperture Ratio	1:1.4	Back Focal Length		9.88 mm
Max. Image Format	6.4×4.8 mm (φ 8 mm)	Flange Back Length		12.5 mm
Operation	Iris	F1.4~125	Mount	CS-Mount
	Focus	Manual,[0.5m~Inf.]	Filler Size	M40.5×0.5 mm
Object Dimension at M.O.D.	13×17.5 cm	Dimensions		φ 42.0×51.5×36.5 mm
Angle of View	D	24.9°	Weight	67 g
	H	1/2" 19.9°		
	V	14.9°		
Coil	Drive	190 ohm		
	Control	1000 ohm		
Operating Temperature	-20° C~+50° C			

1/2

CS

M.O.D. : Minimum Object Distance

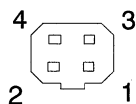
Dimensions



* : 310 mm cable is available

AG

Wiring Diagram



Pin No.

1	Brow	Control (-)
2	Red	Control (+)
3	Yellow	Drive (+)
4	Orange	Drive (-)