

HAS0612APC

6.0mm F1.2

for 1/2" format camera

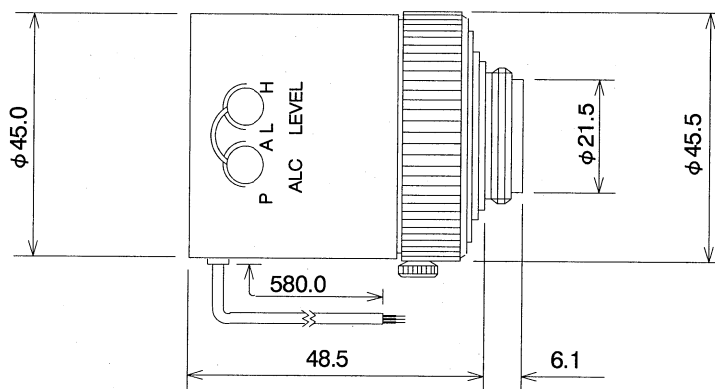
C-Mount

with Amplifier, with Focus

Model No.	HAS0612APC	Effective	Front	φ21.0 mm
Focal Length	6.0 mm	Lens Aperture	Rear	φ14.7 mm
Max. Aperture Ratio	1:1.2	Back Focal Length		11.62 mm
Max. Image Format	6.4×4.8 mm (φ8 mm)	Flange Back Length		17.526 mm
Operation	Iris	Auto Iris F1.2~360	Mount	C-Mount
		(Auto close system)	Filter Size	M43.0 x 0.75mm
	Focus	Manual, 0.2m~Inf.	Dimensions	φ45.5×48.5 mm
Object Dimension at M.O.D.	20.6 x 15.5 cm	Weight		134 g
Angle of View	D			68.4°
	H	1/2"		56.6°
	V			43.4°
Supply Voltage	DC 8~16 V			
Current	Less than 50 mA			
Transit Time	Approx. 2 sec.			
Light Weighting Method	Adjustable between Average - Peak (to be set at Average at factory)			
Input Signal	Video Signal (V or VS)			
Iris Accuracy	± 10% at Video Signal Level			
Sensitivity Adjustment	0.5~1.0Vp-p (Video Signal)			
Input Impedance	High Impedance			
Operating Temperature	-20 C~+50 C			

M.O.D. : Minimum Object Distance

Dimensions



Wiring Diagram

