

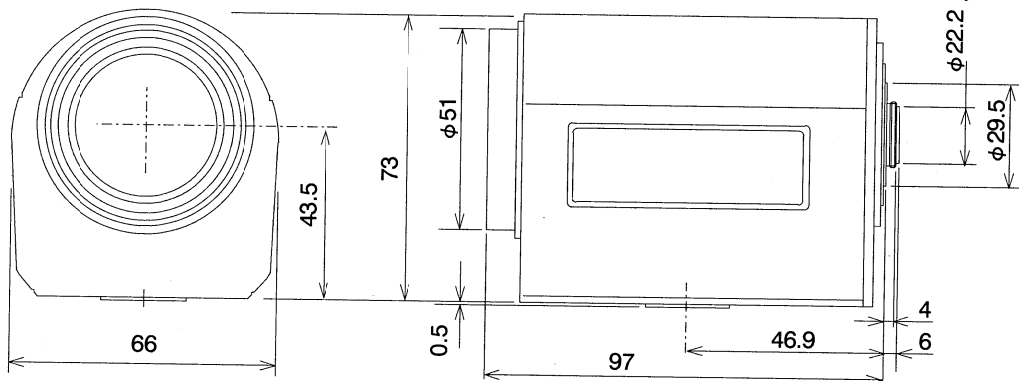
6X 8.0~48 mm F1.2  
for 1/2" format camera  
C-Mount

with Preset

<b>Model No.</b>	H6Z0812AMSP		<b>Effective</b>	Front	φ 39.2 mm
<b>Focal Length</b>	8.0~48 mm		<b>Lens Aperture</b>	Rear	φ 16.6 mm
<b>Max. Aperture Ratio</b>	1:1.2		<b>Back Focal Length</b>	11.4 mm	
<b>Max. Image Format</b>	6.4×4.8 mm (φ 8 mm)		<b>Flange Back Length</b>	17.526 mm	
<b>Operation</b>	<b>Iris</b>	Auto Iris, F1.2~560 (by galvano control)	<b>Mount</b>	C-Mount	
	<b>Focus</b>	Motorized, Preset, 1.2m~Inf.	<b>Filter Size</b>	M49 P=0.75 mm	
	<b>Zoom</b>	Motorized, Preset, 8.0~48 mm	<b>Tripod Screw</b>	1/4"-20 UNC	
<b>Object Dimension</b>	<b>8.0 mm</b>	98.4×72.2 cm	<b>Weight</b>	460 g	
	<b>at M.O.D. 48 mm</b>	16.8×12.8 cm			
<b>Angle of View</b>	<b>D</b>	55.8° ~ 9.9°	1/3"	41.8° ~ 7.5°	
	<b>H</b>	44.6° ~ 8.0°		33.5° ~ 6.1°	
	<b>V</b>	33.5° ~ 6.1°		25.2° ~ 4.6°	
<b>Control</b>	<b>Iris</b>		<b>Focus</b>		<b>Zoom</b>
	<b>Supply Voltage</b>	DC 8.5~16 V	DC 8 V		DC 8 V
	<b>Current</b>	40 mA or less	40 mA or less		40 mA or less
	<b>Transit Time</b>	Approx. 2 sec.	Approx. 5 sec.		Approx. 4.5 sec.
<b>Potentiometer</b>	-		5KΩ VR		5KΩ VR
<b>Light Weighting Method</b>	Adjustable between Average - Peak ( to be set at Average at factory )				
<b>Input Signal</b>	Video Signal ( V or VS )				
<b>Iris Accuracy</b>	± 15% at Video Signal Level				
<b>Sensitivity Adjustment</b>	0.5~1.0Vp-p ( Video Signal )				
<b>Input Impedance</b>	High Impedance				
<b>Operating Temperature</b>	-10° C ~ +50° C				

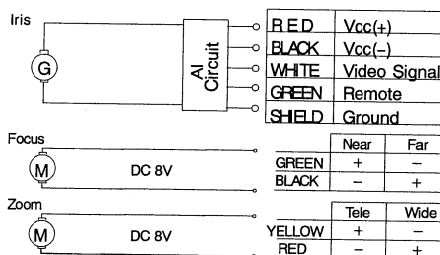
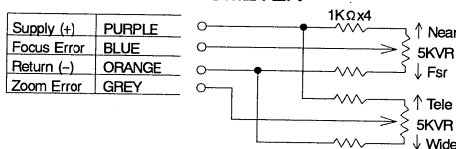
M.O.D. : Minimum Object Distance

### Dimensions

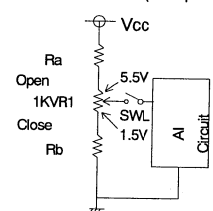


### Wiring Diagram

#### PRESET POTENTIOMETER



Level Remote (As option)



Remarks: Connect together with Black (Focus) and Red (Zoom) for common system when necessary.