

H4514FICS-3

4.5mm F1.4

for 1/2" format cameras

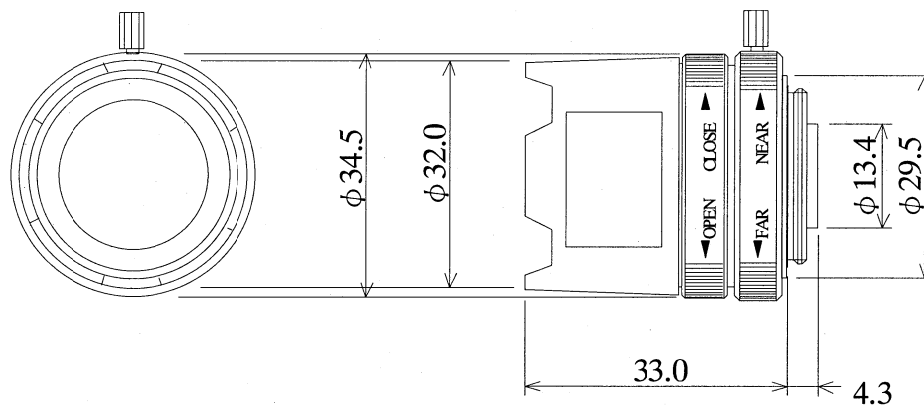
CS-Mount

Model No.	H4514FICS-3		Effective	Front	φ 15.8 mm
Focal Length	4.5 mm		Lens Aperture	Rear	φ 9.0 mm
Max. Aperture Ratio	1 : 1.4		Back Focal Length	8.7 mm	
Max. Image Format	6.4 X 4.8 mm (φ 8 mm)		Flange Back Length	12.5 mm	
Operation	Iris	F1.4 ~ 16C	Mount	CS-Mount	
	Focus	0.2m ~ Inf.	Filter Size	M30.5 x 0.5	
Object Dimension at M.O.D.	33.3 x 22.9 cm		Dimensions	φ 34.5 x 33.0 mm	
			Weight	36 g	
Angle of View	D	100.1°			
	H	79.6°			
	V	59.5°			

1/2

M.O.D. : Minimum Object Distance

Dimensions



CS

F