

## H16Z7516PDC

16X 7.5~120mm F1.6  
for 1/2" format cameras  
C-Mount

With Preset

Model No.	H16Z7516PDC		Effective	Front	φ 66.4mm
Focal Length	7.5~120mm		Lens Aperture	Rear	φ 13.5mm
Max. Aperture Ratio	1 : 1.6		Back Focal Length	14.0 mm	
Max. Image Format	6.4 x 4.8mm (φ 8mm)		Flange Back Length	17.526 mm	
Operation Range	Iris	F1.6 ~ 560	Mount	C-Mount	
	Focus	1.5m ~ Inf.	Filter Size	M72 P=0.75 mm	
	Zoom	7.5~120mm	Tripod Screw	1/4"-20UNC	
Control	Iris	DC Auto Iris(by galvanometer)	Dimensions	W82 x H96.4 x D149mm	
	Focus	Motorized, Preset	Weight	1050g	
	Zoom	Motorized, Preset			
Object Dimension at M.O.D.	7.5mm	129.2 x 95.5cm			
	120mm	8.4 x 6.3cm			
Angle of View	D	57.2~3.9°	1/3"	43.8~3.0°	
	H	46.6~3.2°		35.3~2.4°	
	V	35.3~2.4°		26.6~1.8°	
Control	Focus		Zoom		
Supply Voltage	DC8V		DC8V		
Current	40mA or less		25mA or less		
Response Time	Approx. 3.5 sec.		Approx. 3.5 sec.		
Preset Potentiometer	5KΩ VR		5KΩ VR		
Iris	Drive Coil	190Ω			
(DC Auto Iris)	Control Coil	1000Ω			
Operating Temperature	-10°C ~ +50°C				

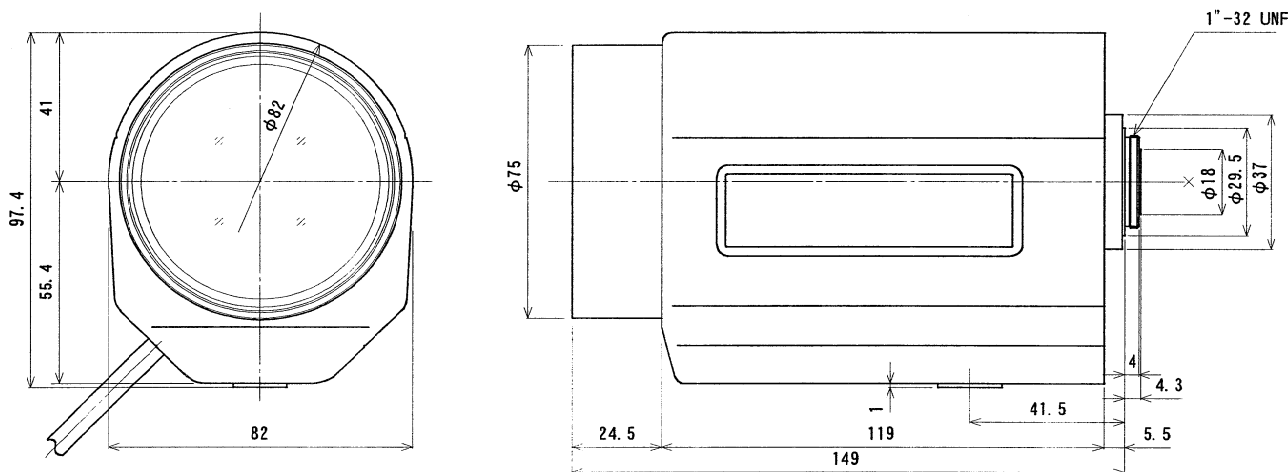
1/2

C

ZA

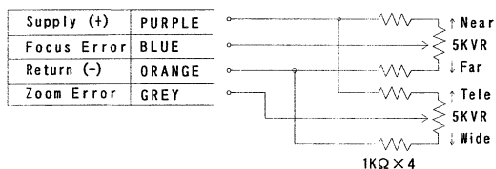
M.O.D. : Minimum Object Distance

### Dimensions

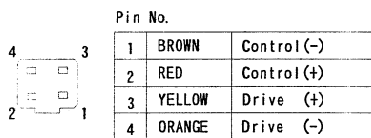


### Wiring Diagram

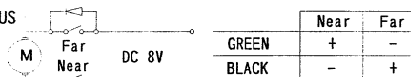
#### PRESET POTENTIOMETER



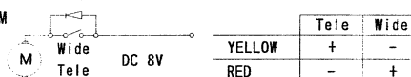
#### IRIS



#### FOCUS



#### ZOOM



Remarks: Connect together with Black(Focus) and Red(Zoom) for common system when necessary.