

H16Z7516DC

16X 7.5~120mm F1.6
for 1/2" format cameras
C-Mount

Model No.	H16Z7516DC		Effective	Front	φ 66.4mm
Focal Length	7.5~120mm		Lens Aperture	Rear	φ 13.5mm
Max. Aperture Ratio	1 : 1.6		Back Focal Length		14.0 mm
Max. Image Format	6.4 x 4.8mm (φ 8mm)		Flange Back Length		17.526 mm
Operation Range	Iris	F1.6 ~ 560	Mount		C-Mount
	Focus	1.5m ~ Inf.	Filter Size		M72 P=0.75 mm
	Zoom	7.5~120mm	Tripod Screw		1/4"-20UNC
Control	Iris	DC Auto Iris(by galvanometer)	Dimensions		W82 x H96.4 x D149mm
	Focus	Motorized	Weight		1010g
	Zoom	Motorized			
Object Dimension at M.O.D.	7.5mm	129.2 x 95.5cm			
	120mm	8.4 x 6.3cm			
Angle of View	D	57.2~3.9°	1/3"	43.8~3.0°	
	H	46.6~3.2°		35.3~2.4°	
	V	35.3~2.4°		26.6~1.8°	
Control	Focus		Zoom		
Supply Voltage	DC8V		DC8V		
Current	40mA or less		25mA or less		
Response Time	Approx. 3.5 sec.		Approx. 3.5 sec.		
Preset Potentiometer	-		-		
Iris	Drive Coil	190Ω			
(DC Auto Iris)	Control Coil	1000Ω			
Operating Temperature	-10°C ~ +50°C				

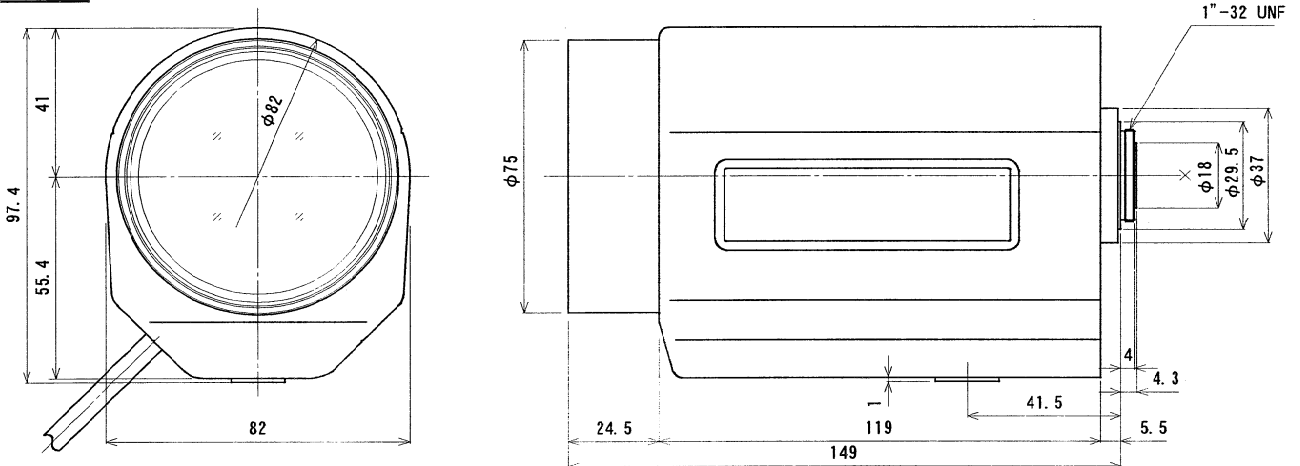
1/2

C

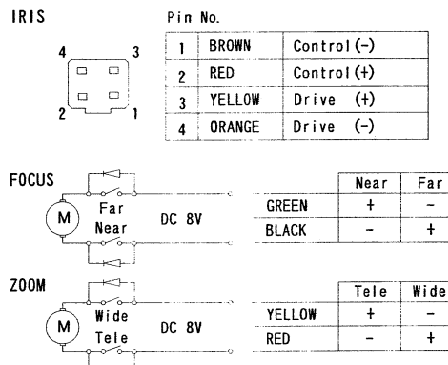
ZA

M.O.D. : Minimum Object Distance

Dimensions



Wiring Diagram



Remarks: Connect together with Black (Focus) and Red (Zoom) for common system when necessary.