

H10Z0812AMSP-2

10X 8~80 mm F1.2
for 1/2" format cameras
C-Mount

With Preset

Model No.	H10Z0812AMSP-2		Effective	Front	φ 54.0 mm
Focal Length	8~80mm		Lens Aperture	Rear	φ 14.0mm
Max. Aperture Ratio	1 : 1.2		Back Focal Length	15.3 mm	
Max. Image Format	6.4 x 4.8mm (φ 8mm)		Flange Back Length	17.526 mm	
Operation Range	Iris	F1.2 ~ 560	Mount	C-Mount	
	Focus	1.5m ~ Inf.	Filter Size	M62 P=0.75 mm	
	Zoom	8~80mm	Tripod Screw	1/4"-20UNC	
Control	Iris	Auto Iris(by galvanometer)	Dimensions	W70 x H79.5 x D123.5mm	
	Focus	Motorized,Preset	Weight	680g	
	Zoom	Motorized,Preset			
Object Dimension at M.O.D.	8mm	124.8 x 92.5cm			
	80mm	17.6 x 14.4cm			
Angle of View	D	54.3~5.8°			
	H	44.0~4.7°			
	V	33.3~3.5°			
Control	Iris	Focus	Zoom		
Supply Voltage	DC8.5 ~ 16V	DC8V	DC8V		
Current	40mA or less	45mA or less	50mA or less		
Response Time	Approx. 2 sec.	Approx. 5.5 sec.	Approx. 5.5 sec.		
Preset Potentiometer	-	5KΩ VR	5KΩ VR		
Light Weighting Method	Adjustable between Average - Peak (to be set at Average at factory)				
Remote Control	Level (VL 1.5 - 5.5V) & ALC(VA 4.0 - 5.5V)				
Input Signal	Video Signal (V or VS)				
Iris Accuracy	± 15% at Video Signal Level				
Sensitivity Adjustment	0.5~1.0Vp-p (Video Signal)				
Input Impedance	High Impedance				
Operating Temperature	-10 ~ +50° C				

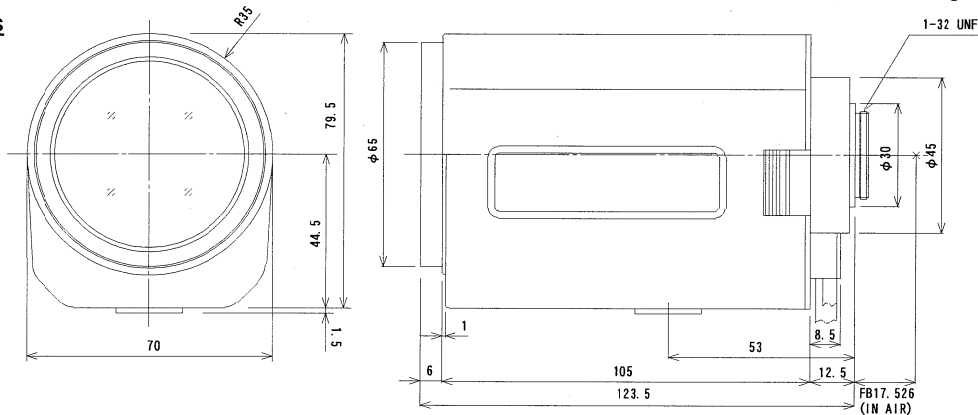
1/2

C

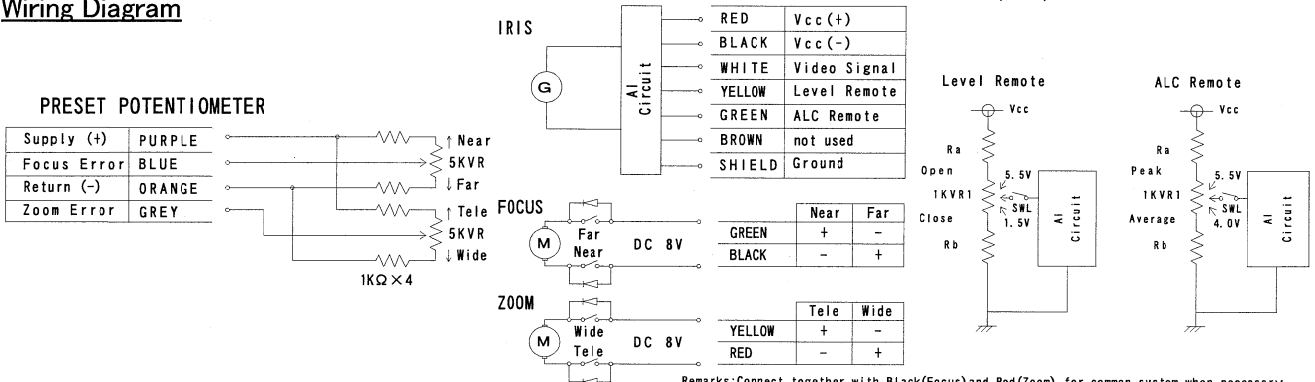
ZA

M.O.D. : Minimum Object Distance

Dimensions



Wiring Diagram



Remarks: Connect together with Black(Focus) and Red(Zoom) for common system when necessary.