

10X8~80 mm F1.2

for 1/2" format cameras

C-Mount

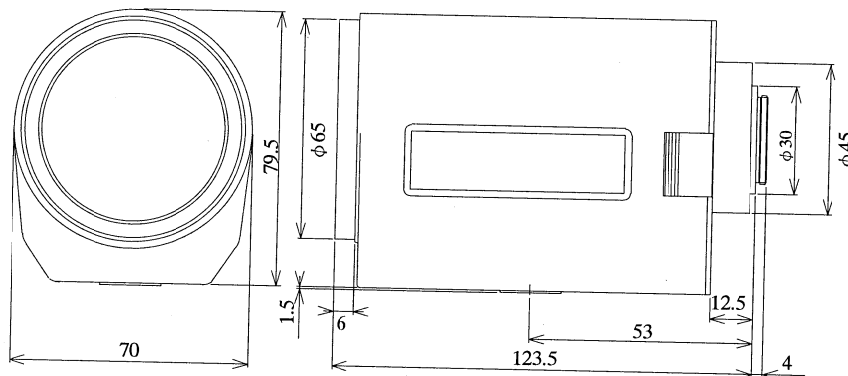
Model No.	H10Z0812AMS		Effective	Front	φ54.0 mm
Focal Length	8~80 mm		Lens Aperture	Rear	φ14.0 mm
Max. Aperture Ratio	1:1.2		Back Focal Length	15.3 mm	
Max. Image Format	6.4×4.8 mm (φ8 mm)		Flange Back Length	17.526 mm	
Operation	Iris	Auto Iris, F1.2~560	Mount	C-Mount	
	Focus	Motorized, 1.5m~Inf.	Filter Size	M62×0.75 mm	
	Zoom	Motorized, 8~80 mm	Tripod Screw	1/4"-20UNC	
Object Dimension at M.O.D.	8 mm	124.8×92.5 cm	Dimensions	W70×H79.5×D123.5 mm	
	80mm	17.6×14.4 cm		Weight	670 g
Angle of View	D	54.3° ~ 5.8°			
	H	44.0° ~ 4.7°			
	V	33.3° ~ 3.5°			
Control	Iris		Focus		Zoom
	Supply Voltage	DC 8.5~16 V	DC 8 V		DC 8 V
	Current	40 mA or less	40 mA or less		40 mA or less
	Transit Time	Approx. 4.0 sec.	Approx. 5 sec.		Approx. 4.5 sec.
Light Weighting Method	Adjustable between Average - Peak (to be set at Average at factory)				
Remote Control	Level (VL 1.5--5.5V) & ALC (VA 4.0--5.5V)				
Input Signal	Video Signal (V or VS)				
Iris Accuracy	± 15% at Video Signal Level				
Sensitivity Adjustment	0.5~1.0Vp-p (Video Signal)				
Input Impedance	High Impedance				
Operating Temperature	-10° C ~ +50° C				

1/2

C

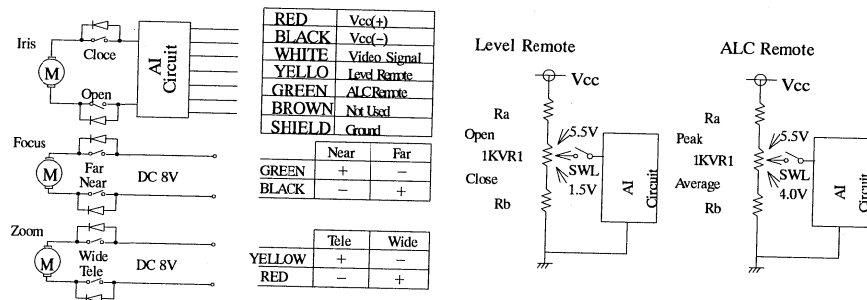
M.O.D. : Minimum Object Distance

Dimensions



ZA

Wiring Diagram



Remarks: Connect together with Black (Focus) and Red (Zoom) for common system when necessary.