



I-Vue™ MINI

Indoor Fixed IP Dome



With every popular compression standard, IP transmission and video motion detection, I-Vue™ MINI packs a fantastic feature set into a micro surveillance package.



I-Vue™ MINI presents every major compression and outputting option and industry beating features in a compact housing for indoor use. Designed in keeping with COE's flexible, scalable video transmission product range, I-Vue MINI offers superior functionality and is a clear choice in ultra-compact dome cameras.

Key features of I-Vue MINI include:

- Compact design for discreet installation in all indoor environments.
- High resolution video streaming: D1 (720 x 576 pixels) @ 30 frames per second.
- H.264, MPEG4 and MJPEG compression over IP Ethernet.
- Fully compatible with COE I-Command™ for optimised video management.

Innovative features such as e-mails of incident alerts and screenshots, and state of the art technology such as integrated video motion detection and H.264 encoding ensure I-Vue MINI is a future proofed, cost effective solution for video transmission across any network infrastructure.

Product Codes

IVUE-MINI-500000 Fixed miniature indoor dome camera for ceiling/wall mount, 550TVL VGA CMOS with fixed lens 4.7mm, VMD, 12Vdc power. PSU included.

Accessories Contact COE for supplementary/replacement power supplies, cables etc.



I-Vue™ MINI

Technical Specifications



Camera

Sensor	1/3" VGA CMOS
Active Pixels	640 x 480
Scanning System	2:1 Interlace
Horizontal Resolution	550 TVL (Colour)
Minimum Illumination	1.0 Lux
Lens	3.6mm F.#2.0 Board Type Lens
Shutter Speed	1/50sec ~ 1/120,000sec (PAL) 1/60sec ~ 1/120,000sec (NTSC)

Codec (Encoder)

Compression	H.264, MPEG4, MJPEG
Resolution	D1 (720 x 576), 2CIF (704 x 288) CIF (352 x 288), QCIF (176 x 144)
Frame Rate	Up to 25 (PAL) / 30 fps (NTSC)
Number of Streams	Dual Stream
Bit Rate	128Kb to 4Mb
Video Output	Ethernet
On Screen Display	Time, date, camera title, etc
Video Motion Detection	Included

Audio

Audio Input	1x Channel (Line Level: 1V p-p)
Audio Output	1x Channel
Compression Algorithm	G711

Power Requirements

Power Consumption	12V DC, 290mA
PSU (Included)	Input: 100-240VAC 50-60Hz 0.5A Max. Output: 12VDC @ 1.5Amps

Network

Protocol	DHCP, ARP, HTTP, RTP, NTP, UDP unicast, UDP multicast, TCP/IP, ICMP, IGMP
Configuration	Built-in web server
Software Upgrade	Remote flash programmable

Physical Interfaces

Audio Input/Output	RCA Phono Female
Network Connector	10/100Base-T (RJ45)

Environmental Resilience

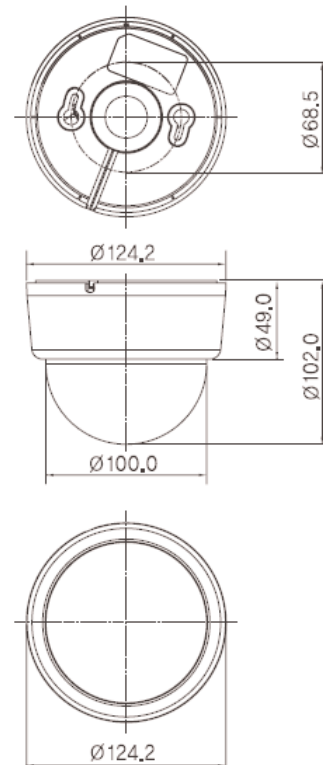
Temperature	0°C to +50°C
Humidity	Up to 85% RH (Non-condensing)

Mechanical Specifications

Weight	0.345Kg
Material	Polycarbonate
Colour	Black
Dimensions	Housing: 124.2(Ø) x 102(H) mm Dome: 100(Ø) mm

EMC Specifications

Ranking	EN 55022:2006, Class A, EN 50130-4:1995+A1:1998+A2:2003 EN 61000-3-2:2006, EN 61000-3-3/A2:2005
----------------	---



(Unit: mm)

COE Limited Headquarters (UK)

Photon House
Percy Street
Leeds
LS12 1EG

Tel : +44 (0)113 230 8800
Fax : +44 (0)113 279 9229
Email : sales@coe.co.uk

COE Limited Singapore Branch

No. 3, International Business Park
#03-25 Nordic European Centre
Singapore
609927

Tel : +65 6325 6018
Fax : +65 6223 0372
Email : sales@coeasia.com.sg

Distributed by:



Issue: 1.1
Date: 13/08/09



E.&O.E.
All Rights Reserved ©