


BOSCH

Invented for life

WZ16 Integrated Day/Night High-res Bullet Camera



- ▶ SuperHAD 1/3 in CCD, 520 TVL
- ▶ 18 m (59 ft) night vision in zero lux
- ▶ Mechanical lens filter for 24/7 performance
- ▶ 4 to 9 mm varifocal lens
- ▶ Compact, all-weather housing

The WZ16 provides reliable day and night surveillance in a compact, water resistant design that integrates 18 infrared LEDs for 18 m (59 ft) of IR-cut filtered night vision.

Incorporating a SuperHAD 1/3 in CCD, the WZ16 delivers 520 TVL color imaging during day and 18 m (59 ft) of active-infrared night vision under zero lux.

The WZ16 also features a mechanical IR-cut lens filter for accurate daytime color and exceptional performance under infrared. Mechanical filter technology minimizes IR bleed and prevents focus shift from daytime to night-time modes.

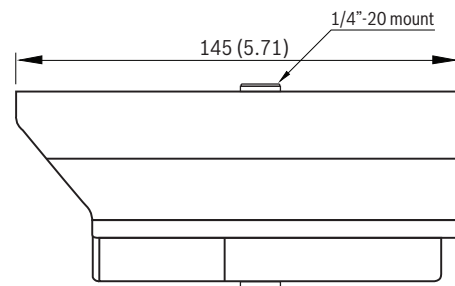
The WZ16 uses 18 photocell-controlled infrared LEDs to deliver up to 18 m (59 ft) of night vision for effective 24/7 performance. Photocell-controlled LEDs ensure accurate on/off switching and help increase energy efficiency.

The WZ16 includes a versatile mounting bracket suitable for walls, surfaces and ceilings, as well as a sun hood. Constructed of extruded aluminum, the WZ16 is compact and discreet, featuring an anodized silver finish.

The WZ16 is a quick and easy Plug-and-Play solution for 24/7 day and night surveillance.

- Warehouses
- Service stations
- Commercial
- Parking lots
- Retail
- Perimeters
- Transportation hubs
- Ports
- Residential
- Hotels and nightclubs
- Schools and colleges

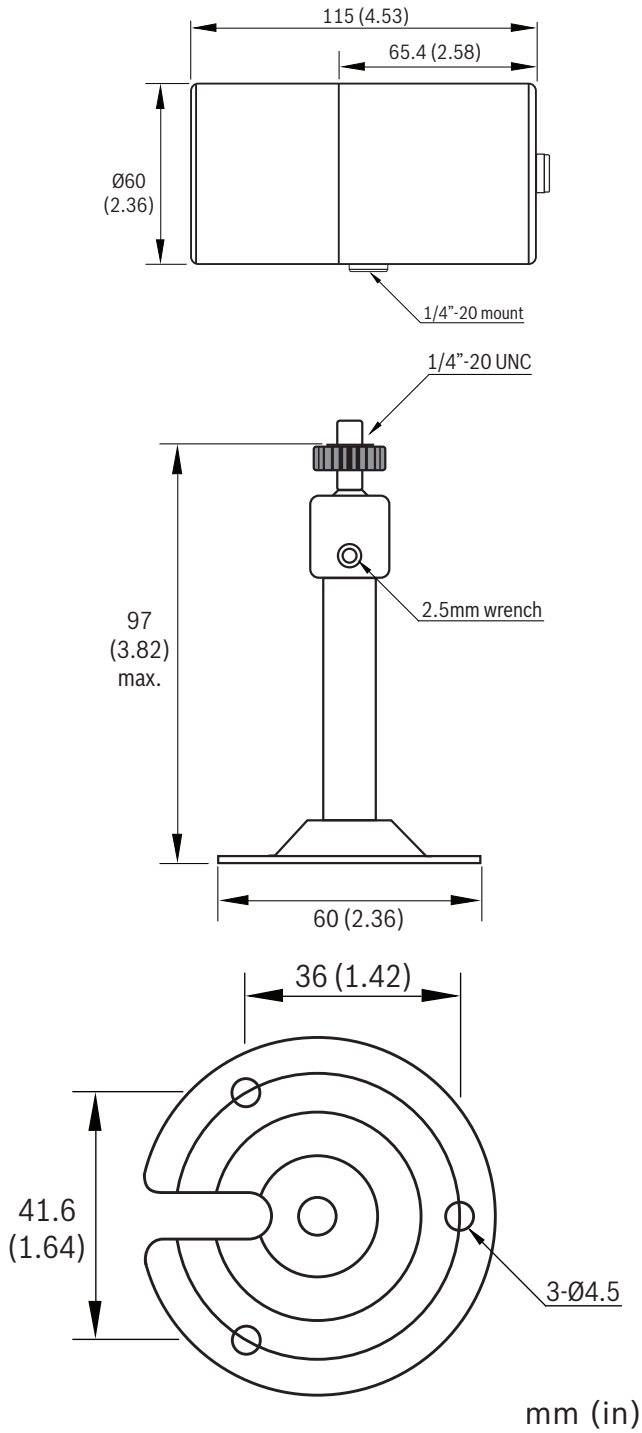
Installation/Configuration Notes



Functions

Applications

- Industrial sites
- Casinos



Technical Specifications

Video

Signal Processing	Digital signal processing (DSP)
CCD Camera	1/3 in SuperHAD CCD
Filter	IR-Cut, lens mounted
Resolution	High resolution 520 TVL
Effective Pixels (H x V)	PAL: 752 x 582, NTSC: 768 x 494
Night-Time Sensitivity	0 lux (infrared on)
Electronics Iris	1/50 to 1/100,000 s (PAL), 1/60 to 1/100,000 s (NTSC)
Output Signal	1 VPP composite video, 75 ohm
S/N Ratio	Greater than 48 dB
Gamma	0.45
Lens	Varifocal 4 to 8 mm, DC auto-iris
LEDs	Infrared array, photocell-controlled
Wavelength	850 nm
Number of LEDs	18

Electrical

Voltage	12 to 24 VDC or VAC
Power Draw	700 mA maximum
Power Supply	Not included

Mechanical

Construction	Robust aluminum extrusion
Finish	Anodized silver
Sunshield	Included as standard
Bracket	Pan-tilt bracket included as standard
Weight	0.56 kg (1.2 lb)
Dimensions	$\varnothing 60 \times 145$ (L) mm (2.4 x 5.7 in)

Environmental

Operation Temperature Range	-30 °C to +55 °C (-22 °F to +131 °F)
Environment	IP67 compliant

Ordering Information**WZ16NV408-0 IDN High-res Bullet Camera WZ16NV408-0**

IDN bullet cam, 520TVL, SuperHAD, color switching to bw, lens filter, 18LEDs, silver, NTSC, 4 to 8 mm lens, PSU separate

WZ16PV408-0 IDN High-res Bullet Camera WZ16PV408-0

IDN bullet cam, 520TVL, SuperHAD, color switching to bw, lens filter, 18LEDs, silver, PAL, 4 to 8 mm lens, PSU separate

Accessories**EXPS.008 VAC Power Supply EXPS.008**

Power supply 120 VAC / 24 VAC 1500 mA

PSU-230-24 Power Supply PSU230-24

Power Supply, 230 VAC / 24 VAC, 50 W

Americas:
Bosch Security Systems, Inc.
130 Perinton Parkway
Fairport, New York, 14450, USA
Phone: +1 800 289 0096
Fax: +1 585 223 9180
security.sales@us.bosch.com
www.boschsecurity.us

Europe, Middle East, Africa:
Bosch Security Systems B.V.
P.O. Box 80002
5600 JB Eindhoven, The Netherlands
Phone: +31 40 2577 284
Fax: +31 40 2577 330
emea.securitysystems@bosch.com
www.boschsecurity.com

Asia-Pacific:
Robert Bosch (SEA) Pte Ltd, Security Systems
38C Jalan Pemimpin
Singapore 577180
Phone: +65 6319 3453
Fax: +65 6319 3499
apr.securitysystems@bosch.com
www.boschsecurity.com

Represented by