


**BOSCH**

Invented for life

# AutoDome® Easy Compact PTZ Camera



The AutoDome Easy combines a high performance pan/tilt unit, compact mini dome housing, and a state-of-the-art autofocus zoom camera into a single unit. This rugged, compact and easy to install PTZ camera system has been specifically designed for discrete video surveillance applications in indoor environments.

## Easy Series highlights

With a dome diameter of less than 4 inches (10 cm), AutoDome Easy is about 70% smaller than traditional PTZ cameras and 20% smaller than other compact domes. These compact dimensions make AutoDome Easy ideal for discrete surveillance applications.

Even though it's small, AutoDome Easy still delivers many of the features found on full-size PTZ cameras. Variable pan and tilt speeds, and autopivot ensure optimal camera control and viewing at all zoom levels. The high-performance 100x (10x optical/10x digital) zoom autofocus camera incorporates the latest digital imaging technology to deliver excellent sensitivity and resolution. With 60 user-defined presets, 4 preset tours, and multiple autoscan modes, AutoDome Easy is not small on features.

- ▶ Ultra-compact for discrete surveillance and improved aesthetics
- ▶ Designed for indoor applications
- ▶ Affordable, yet feature rich
- ▶ 100x zoom (10x optical, 10x digital) color camera
- ▶ Simple to install and use
- ▶ Durable, vandal-resistant housing and bubble
- ▶ Surface, wall, and pipe mount versions

A single AutoDome Easy provides as much coverage as four fixed mini domes at half the cost of a traditional PTZ dome camera. AutoDome Easy maximizes your security investment by integrating with the entire line of Bosch video products including variable speed<sup>1</sup> Allegiant matrix switchers, DiBos and Divar digital recorders, and the full range of Bosch video over IP products.

And AutoDome Easy is simple to install and use. Available with surface, wall and pipe mount options, AutoDome Easy can be mounted nearly anywhere. Intuitive set-up menus make dome configuration quick and easy. Built-in IntuiKey support means that AutoDome Easy uses the same familiar keyboard and joystick commands as the rest of the Bosch AutoDome family.

1. The AutoDome Easy is not compatible with fixed-speed dome controllers.

## Functions

The following are some of the features that make the AutoDome Easy Series the perfect fit for a variety of indoor surveillance applications.

### High-performance 100x PTZ color camera

AutoDome Easy PTZ cameras have a 1/4-inch color CCD. With 430 TVL (NTSC/PAL) resolution and sensitivity down to 1.3 lux, the AutoDome Easy Series offers exceptional performance at a very affordable price.

AutoDome Easy supports up to 60 user-defined preset positions, as well as 4 preset tours and 4 autoscan modes. Each preset tour can be programmed with up to 16 preset positions and configurable dwell time between positions. Pan, tilt, and preset tracking are accurate to within ±0.1 to capture the correct scene every time. The integrated pan/tilt unit delivers variable pan/tilt speeds up to 120 degrees per second. AutoDome Easy provides a tilt range of 0-90 degrees, and a pan range of 0-359 degrees. The camera's overlapping field of view provides a full 360 degrees of visual coverage, eliminating any blind spots.

**Cost effective coverage**

It typically requires four or more fixed dome cameras to provide a full 360 degrees of surveillance coverage. Traditional PTZ dome cameras provide full coverage, but at a significantly higher cost. A single AutoDome Easy provides as much coverage as four fixed domes, but at half the cost of a traditional PTZ dome camera. Not only is your initial investment smaller, but installation and maintenance costs are reduced as well.

**Rugged reliability**

A heavy-duty, tamper-resistant aluminum housing and rugged polycarbonate bubble protect the camera from vandalism and theft, ensuring the AutoDome Easy continues to deliver critical images even in the toughest environments.

As with all Bosch products, AutoDome Easy has been subjected to the industry's most comprehensive and demanding battery of endurance tests to make sure it will hold up through years of use. And of course it comes with Bosch's industry-leading 3-year warranty.

**Ease of installation and servicing**

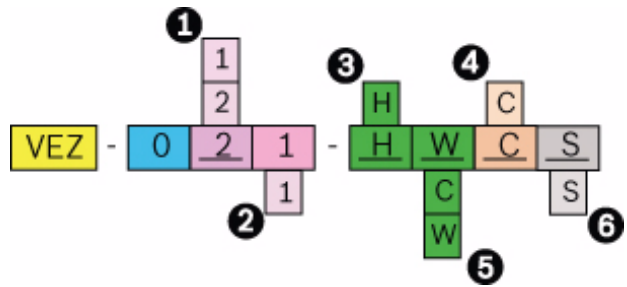
AutoDome Easy has been designed for quick and easy installation. The dome comes fully assembled and ready for surface mount applications. Available wall and pipe mount kits allow AutoDome Easy to easily be adapted for the individual site requirements. Available in white or charcoal.

An intuitive set-up menu structure and multiple language support make dome configuration quick and easy. Supported on-screen display menu languages include: English, Spanish, and French.

**Certifications and Approvals**

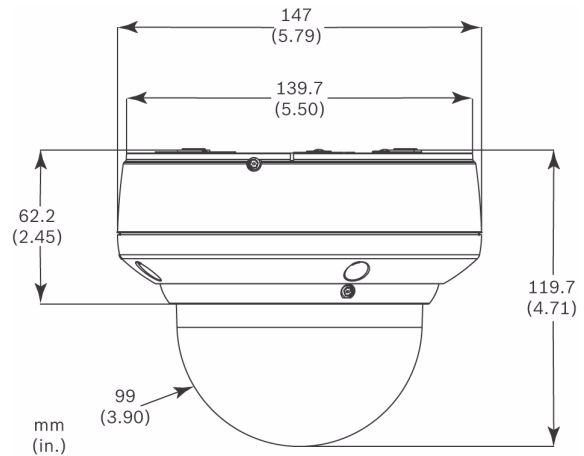
Electromagnetic Compatibility (EMC)	Complies with FCC Part 15, ICES-003, and CE regulations
Product Safety	Complies with CE regulations, UL, CSA, EN, and IEC Standards

**Installation/Configuration Notes**

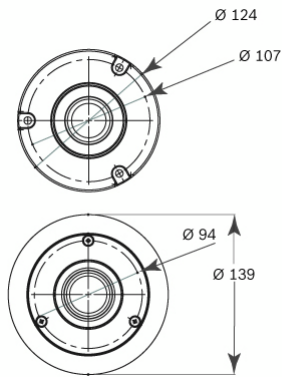


*Ordering Guide*

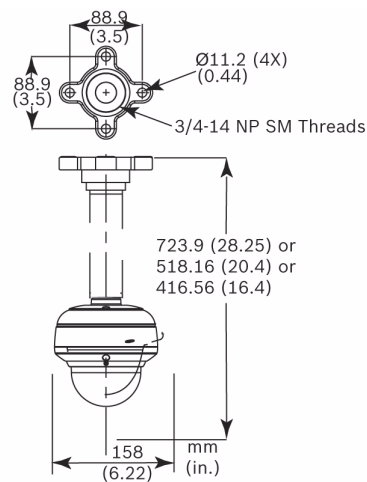
<b>1 Video Format</b>	<b>4 Bubble</b>
1 PAL	C Clear
2 NTSC	<b>5 Color</b>
<b>2 Camera Type</b>	C Charcoal
1 Color (10X)	W White
<b>3 Housing</b>	<b>6 Communications</b>
H High Impact	S Analog



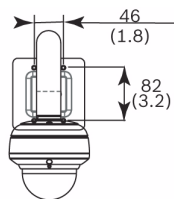
*AutoDome Easy Dimensions*



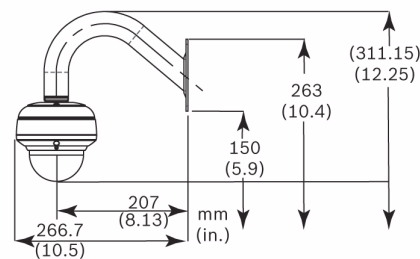
Surface Mount Dimensions



Pipe Mount Dimensions



Wall Mount Dimensions



## Technical Specifications

### Camera 10x Color

Imager	1/4 in. Exview HAD CCD (752 x 582 PAL)/(768 x 494 NTSC)	
Lens	10x Zoom (3.15–31.5 mm)	
Focus	Automatic with manual override	
Iris	Automatic with manual override (F1.6 to F3.2)	
Field of View	Approx. 6.5° (TELE end) to 48° (Wide end)	
Video Output	1.0 Vp-p, 75 Ohm	
Gain Control	AGC on/off (30dB max)	
Synchronization	Internal/external (line-lock auto switching)	
Digital Zoom	10x	
Horizontal Resolution	430 TVL	
Sensitivity (typical)	30 IRE	50 IRE
	1.3 lx	2.7 lx
SNR	48 dB	

### Mechanical/Electrical

Weight	1.3 kg (2.86 lb)	
Pan Range	0-359°	
Tilt Angle	0-90°	
Pan Speed	120°/s max	
Tilt Speed	120°/s max	
Preset Accuracy	± 0.5 ° typ.	
Rated Voltage	12 VDC / 24 VAC	
	50/60 Hz	
Voltage Range	10.8 to 13.2 VDC	
	21.6 to 26.4 VAC	
Power Draw: (typ.)	10 W	

### Environmental

Operating Temp.	-10°C to 40°C (14°F to 104°F)
Operation Humidity	0% to 96%
Storage Temp.	-20°C to 60°C (-4°F to 140°F)

### Miscellaneous

Sectors/Titling	8 independent sectors with 10-character titles/sector
Camera Setup/Control	Biphase (variable speed only)
Communications Protocols	Biphase (variable speed only)
Pre-positions	60, each with 10-character titles
Preset Tours	<ul style="list-style-type: none"> <li>• Preset tour - four (4), consisting of up to 16 scenes, consecutively</li> </ul>
ID Address	1 - 63
Supported Languages	English, French, and Spanish

**User Connections**

Power (Camera)	24 VAC, 50/60 Hz or 12 VDC
Control	Biphase +/-
Video	1 Vp-p on BNC
Alarm Input (1)	NC/NO/OFF

**Ordering Information**

VEZ-011-HWCS Easy Dome Easy Dome 10X Color PAL White	VEZ-011-HWCS
VEZ-021-HWCS Easy Dome Easy Dome 10X Color NTSC white	VEZ-021-HWCS
VEZ-011-HCCS Easy Dome Easy Dome 10X Color PAL Charcoal	VEZ-011-HCCS
VEZ-021-HCCS Easy Dome Easy Dome 10X Color NTSC Charcoal	VEZ-021-HCCS

**Accessories**

VEZ-A-WW Wall Mount AutoDome Easy wall mount white	VEZ-A-WW
VEZ-A-WC Wall Mount AutoDome Easy wall mount charcoal	VEZ-A-WC
VEZ-A-PW Pipe Mount AutoDome Easy pipe mount white	VEZ-A-PW
VEZ-A-PC Pipe Mount AutoDome Easy pipe mount charcoal	VEZ-A-PC

**Europe, Middle East, Africa:**  
 Bosch Security Systems B.V.  
 P.O. Box 80002  
 5600 JB Eindhoven, The  
 Netherlands  
 Phone: +31 40 2577 284  
 Fax: +31 40 2577 330  
 emea.securitysystems@bosch.com  
 http://www.boschsecurity.com

**Americas:**  
 Bosch Security Systems, Inc.  
 130 Perinton Parkway  
 Fairport, New York, 14450, USA  
 Phone: +1 800 289 0096  
 Fax: +1 585 223 9180  
 security.sales@us.bosch.com  
 http://www.boschsecurity.us

**Asia-Pacific:**  
 Bosch Security Systems Pte Ltd  
 38C Jalan Pemimpin  
 Singapore 577180  
 Phone: +65 6319 3450  
 Fax: +65 6319 3499  
 apr.securitysystems@bosch.com  
 http://www.boschsecurity.com

**Represented by**