

# Indoor Dome Camera

www.boschsecurity.com



**BOSCH**  
Invented for life



Advantage Line

The VDC-250/260 Day/Night camera is a compact, stylish surveillance dome that offers excellent resolution in variable lighting conditions. The high performance 1/3-inch CCD camera is available with a 3.8 mm fixed lens or a 3.8 to 9.5 mm varifocal lens.

The camera is an ideal solution for demanding scene conditions. The Day/Night feature ensures the highest image quality possible at any time. Depending on the available light, the camera automatically switches from color to monochrome.

The camera is easy to install and can be adjusted around 3 axes. Privacy zones and motion detection functions can be set up in the handy camera menu system.

## Features

- ▶ Excellent resolution (540 TVL)
- ▶ Lens choice
- ▶ Clean images under variable light
- ▶ Day/Night performance with switchable filter
- ▶ Easy install

### Technical Specifications

Technical Specifications	
System	PAL or NTSC
Effective pixels (H x V)	752 x 582 (PAL) 768 x 494 (NTSC)
Image Sensor	1/3-inch High sensitivity CCD
Video Output	Composite: 1 Vpp, 75 Ohm
Sync. System	Internal sync., Line-lock
S/N Ratio (sharpness, AGC off)	50 dB min.
Horizontal resolution	Color: 540 TV Lines (min.) B/W: 580 TV Lines (min.)
Minimum Illumination Varifocal lens (F1.4, 30IRE, AGC max.)	0.05 lx (color) 0.005 lx (ICR, B/W)
Minimum Illumination Fixed lens (F2.0, 30IRE, AGC max.)	0.15 lx (color) 0.05 lx (ICR, B/W)
ESC	1/50 – 1/120,000 (PAL) 1/60 – 1/120,000 (NTSC)
Manual Shutter	1/50(60), 1/100(120), 1/250, 1/500, 1/700, 1/1k, 1/1.6K, 1/2.5K, 1/5K, 1/7K, 1/10K, 1/30K, 1/60K, 1/120K
DNR	Off, Low, Middle, High
White Balance	ATW, Manual, Push
SBLC	Off, Low, Middle, High
AGC	On, Off
Day/Night	Auto, Color, B/W, Ext.
Burst	On, Off
Motion detection	On, Off (4 programmable zones)
Privacy	On, Off (4 programmable zones)
Mirror	On (horizontal), Off
Sharpness	1 - 20
Gamma	0.35, 0.45, 0.6, 0.75
OSD language	English, Chinese
Lens type	DC iris / manual lens
Supply Voltage	24 VAC (±10%) 12 VDC (±10%)
Power Consumption	3.6 W max. / 0.3 A
Operating Temperature	-10 °C to +50 °C (14 °F to +122 °F)
Operating Humidity	30% to 80% RH
Storage Temperature	-20 °C to +60 °C (-4 °F to +140 °F)
Storage Humidity	20% to 90% RH

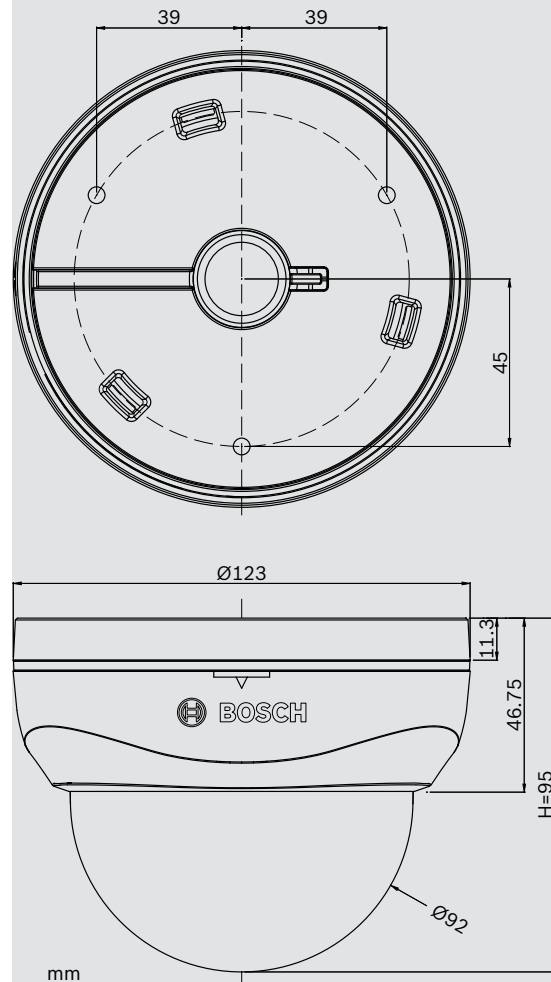
### Certifications and Approvals

Region	Certification
Europe	CE
Standards	
	ANSI C63.4: 2003
	FCC Part 15 subpart B, Class A Digital Devices
	UL 60065, 7th Edition. 2007-12-11
	CAN/CSA-C22.2 No. 60065-03, 1st Edition, 2006-04 + A1:2006
	EN55022:2006, Class A
	EN50130-4:1995+A1:1998+A2:2003
	LVD 2006/95/EC

EN60950-1:2006+A11:2009

IEC 60950-1:2005 (2nd Edition)

### Installation/Configuration Notes



### Ordering Information

VDC-250F04-10 Dome Camera, 3.8mm lens, PAL	VDC-250F04-10
VDC-250F04-20 Dome Camera, 3.8mm lens, NTSC	VDC-250F04-20
VDC-260V04-10 Dome Camera, 3.8-9.5 mm lens, PAL	VDC-260V04-10
VDC-260V04-20 Dome Camera, 3.8-9.5 mm lens, NTSC	VDC-260V04-20

**Represented by:****Americas:**

Bosch Security Systems, Inc.  
130 Perinton Parkway  
Fairport, New York, 14450, USA  
Phone: +1 800 289 0096  
Fax: +1 585 223 9180  
security.sales@us.bosch.com  
www.boschsecurity.us

**Europe, Middle East, Africa:**

Bosch Security Systems B.V.  
P.O. Box 80002  
5617 BA Eindhoven, The Netherlands  
Phone: +31 40 2577 284  
Fax: +31 40 2577 330  
emea.securitysystems@bosch.com  
www.boschsecurity.com

**Asia-Pacific:**

Robert Bosch (SEA) Pte Ltd, Security Systems  
11 Bishan Street 21  
Singapore 573943  
Phone: +65 6571 2808  
Fax: +65 6571 2699  
apr.securitysystems@bosch.com  
www.boschsecurity.asia

**China:**

Bosch (Shanghai) Security Systems Ltd.  
201 Building, No. 333 Fuquan Road  
North IBP  
Changning District, Shanghai  
200335 China  
Phone +86 21 22181111  
Fax: +86 21 22182398  
www.boschsecurity.com.cn

**America Latina:**

Robert Bosch Ltda Security Systems Division  
Via Anhanguera, Km 98  
CEP 13065-900  
Campinas, Sao Paulo, Brazil  
Phone: +55 19 2103 2860  
Fax: +55 19 2103 2862  
al.securitysystems@bosch.com  
www.boschsecurity.com