

# Indoor and Outdoor Dome Mounts

www.boschsecurity.com



**BOSCH**  
Invented for life



- ▶ Sturdy construction
- ▶ Easy installation
- ▶ Anti-rust treated

This family of mounts is specifically designed for indoor and outdoor dome cameras. It includes an indoor and outdoor wall mount, and an indoor and outdoor pipe mount. All of these mounts are easy to install and have a sturdy construction.

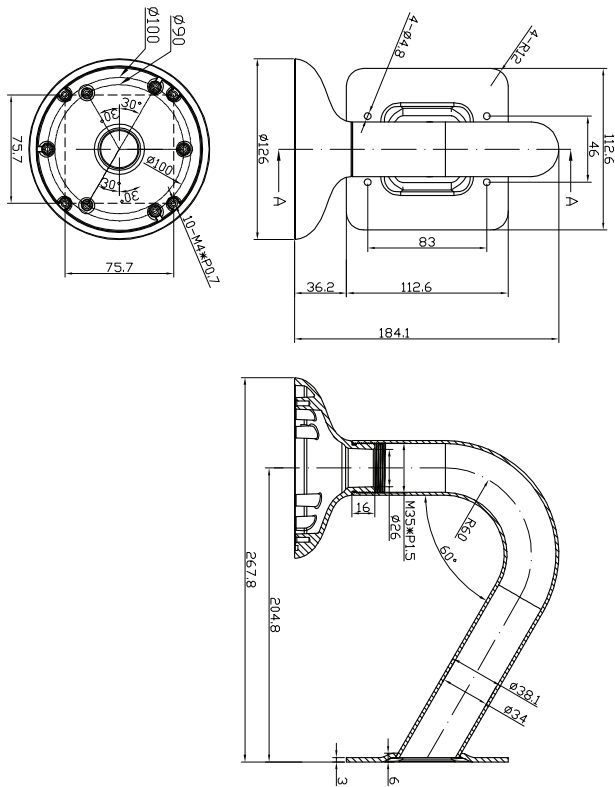
### System overview

Type number	Camera
VDA-WMT-AIDOME	VDC-250, VDC-260 VDC-275, VDN-276, VDN-295 VDC-240, VDN-240, VDI-240, VDI-245V03-1C VDC-242, VDN-242, VDN-244, VDI-244
VDA-PMT-AIDOME	VDC-250, VDC-260 VDC-275, VDN-276, VDN-295 VDC-240, VDN-240, VDI-240, VDI-245V03-1C VDC-242, VDN-242, VDN-244, VDI-244

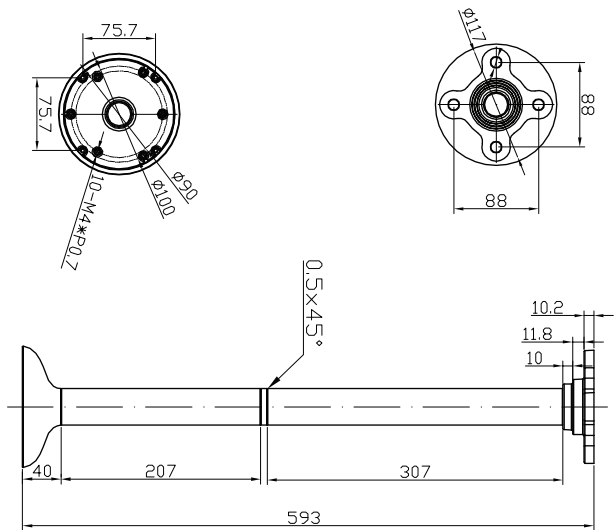
Type number	Camera
VDA-WMT-AODOME	VDC-240, VDN-240, VDI-240, VDI-245V03-1C VDC-242, VDN-242, VDN-244, VDI-244
VDA-PMT-AODOME	VDC-240, VDN-240, VDI-240, VDI-245V03-1C VDC-242, VDN-242, VDN-244, VDI-244

Installation/configuration notes

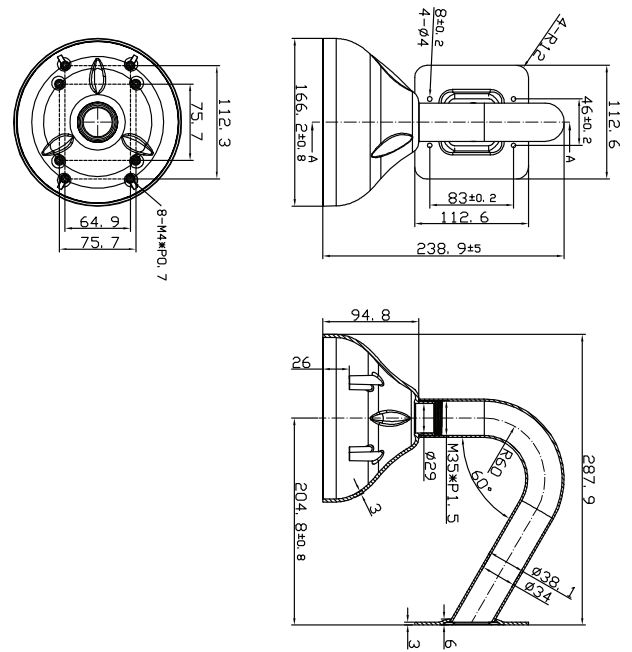
VDA-WMT-AIDOME – Indoor wall mount dimensions



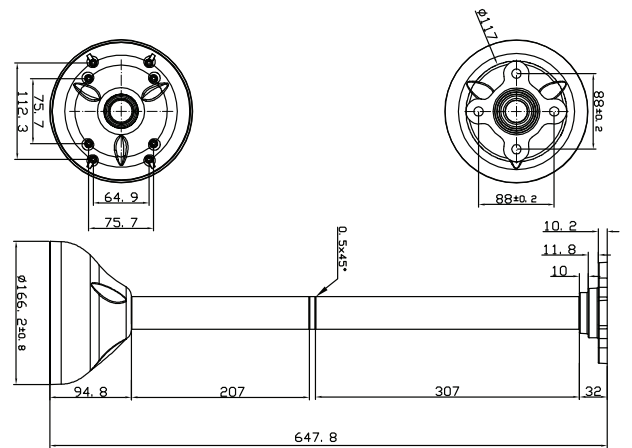
VDA-PMT-AIDOME – Indoor pipe mount dimensions



VDA-WMT-AODOME – Outdoor wall mount dimensions



VDA-PMT-AODOME – Outdoor pipe mount dimensions



Technical specifications

Dome – indoor wall mount

Construction material	Aluminum alloy
Finish	RAL 9003 signal white
Weight	0.48 kg (1.06 lb)

Dome – indoor pipe mount

Construction material	Aluminum alloy
Finish	RAL 9003 signal white
Weight	0.71 kg (1.56 lb)

**Dome – outdoor wall mount**

Construction material	Aluminum alloy
Finish	RAL 9003 signal white
Weight	0.69 kg (1.52 lb)

**Dome – outdoor pipe mount**

Construction material	Aluminum alloy
Finish	RAL 9003 signal white
Weight	0.94 kg (2.07 lb)

**Ordering information**

**Indoor Wall Mount**

Order number **VDA-WMT-AIDOME**

**Indoor Pipe Mount**

Order number **VDA-PMT-AIDOME**

**Outdoor Wall Mount**

Order number **VDA-WMT-AODOME**

**Outdoor Pipe Mount**

Order number **VDA-PMT-AODOME**

**Represented by:**

**Americas:**

Bosch Security Systems, Inc.  
130 Perinton Parkway  
Fairport, New York, 14450, USA  
Phone: +1 800 289 0096  
Fax: +1 585 223 9180  
security.sales@us.bosch.com  
www.boschsecurity.us

**Europe, Middle East, Africa:**

Bosch Security Systems B.V.  
P.O. Box 80002  
5617 BA Eindhoven, The Netherlands  
Phone: + 31 40 2577 284  
Fax: +31 40 2577 330  
emea.securitysystems@bosch.com  
www.boschsecurity.com

**Asia-Pacific:**

Robert Bosch (SEA) Pte Ltd, Security Systems  
11 Bishan Street 21  
Singapore 573943  
Phone: +65 6571 2808  
Fax: +65 6571 2699  
apr.securitysystems@bosch.com  
www.boschsecurity.asia

**China:**

Bosch (Shanghai) Security Systems Ltd.  
201 Building, No. 333 Fuquan Road  
North IBP  
Changning District, Shanghai  
200335 China  
Phone +86 21 22181111  
Fax: +86 21 22182398  
www.boschsecurity.com.cn

**America Latina:**

Robert Bosch Ltda Security Systems Division  
Via Anhanguera, Km 98  
CEP 13065-900  
Campinas, Sao Paulo, Brazil  
Phone: +55 19 2103 2860  
Fax: +55 19 2103 2862  
al.securitysystems@bosch.com  
www.boschsecurity.com