

AEGIS SuperLED Illuminator

www.boschsecurity.com



BOSCH
Invented for life



AEGIS illuminators feature Constant Light technology which automatically controls and adjusts light output to compensate for LED degradation and temperature changes. LED degradation results in poor light output, reduced image quality, and reduced illumination range. The Constant Light patent-pending technology maintains a constant level of light throughout the life of the illuminator, thus overcoming this performance-related issue identified by security consultants, installers, and end users alike.

3D Diffuser technology (Black Diamond) micro-refractive lens technology enables increased surveillance range, wider beam patterns, and evenly illuminated night-time surveillance images. Specifically designed for energy efficient operation, AEGIS can be powered directly from any 12 to 24 VDC or 24 VAC supply for faster, flexible, cost effective installations.

Functions

- 3D diffuser technology eliminates hotspots in the foreground and underexposed backgrounds
- Delivers even illumination designed specifically for CCTV
- Dramatically improves night-time imaging, reducing noise and increasing video signal

- ▶ Patent-pending Constant Light technology ensures consistent illumination
- ▶ 3D Diffuser technology (Black Diamond) delivers even illumination designed specifically for CCTV
- ▶ Enables the optimum nighttime performance of analogue and megapixel cameras, IP platforms, and video analytics
- ▶ Reduced power consumption for a greener, more environmentally friendly solution with lower operating costs

- When used with encoding and digital recording systems, even illumination reduces bit rate and so lowers storage requirements

Controlled by Constant Light Technology

- Maintains a constant level of lighting performance for the life of the illuminator
- Maintains a constant level of lighting performance when operated at varying ambient temperatures

Installer friendly installation features

- Low voltage input to the illuminator for safe installation
- Illuminator link port allows one illuminator to switch all others in a master/slave configuration
- Dual-mode camera port allows color/mono control from or to the camera
- Easy connection using dedicated cables

High Efficiency Surface Mount LEDs

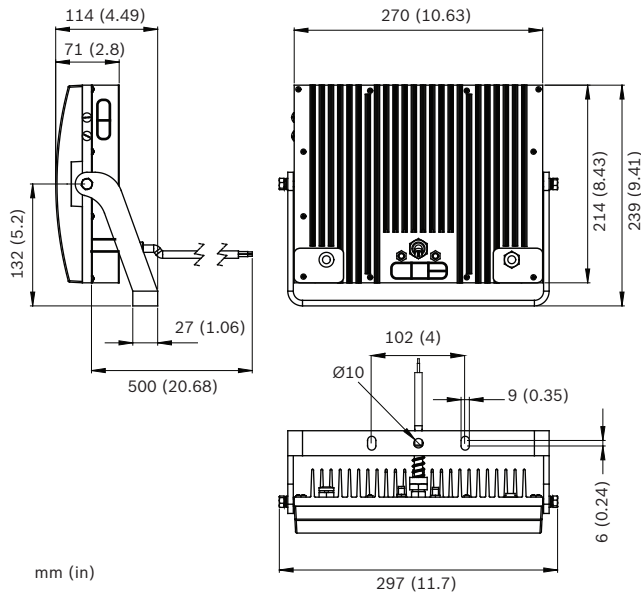
- Industry-leading thermal management and super high-efficient LEDs deliver maximum illumination

Certifications and approvals

Region	Certification
Europe	CE
USA	FCC + UL

Installation/configuration notes

Dimensions



Technical specifications

	AEGIS SuperLED Infrared
Wavelength	850 nm and 940 nm
Color	Black anodized heat sink with black front fascia
LEDs	High efficiency surface mounted LED array with current-limited integral power circuit
Beam Patterns	10°, 20°, 30°, 60°, 95°, 120°
Consumption	50–90 W (90 W max power)
Input Voltage	12 to 24 VDC or 24 VAC, 50/60 Hz
Temperature Range	–40°C to +50°C (–40°F to 122°F) max. on full power
Environmental	IP66
Construction	Robust, aluminum construction with acrylic front fascia
Weight	3.8 kg (8.4 lb)
Dimensions	305 x 240 x 110 mm (11.9 x 9.4 x 4.4 in)
Power Cable	4 m (13 ft)
Bracket	Wall mount U-bracket supplied

AEGIS SuperLED Performance Ranges

Model	Wave length	Beam Patterns	Achievable Distance*	HFOV
SLED10-8B D	850 nm	10°	320 m (1050 ft)	52 m (170 ft)

SLED20-8B D	850 nm	20°	200 m (655 ft)	70 m (230 ft)
SLED30-8B D	850 nm	30°	160 m (525 ft)	85 m (275 ft)
SLED60-8B D	850 nm	60°	110 m (360 ft)	130 m (425ft)
SLED95-8B D	850 nm	95°	85 m (275 ft)	185 m (605 ft)
SLED120-8B D	850 nm	120°	55m (180 ft)	190 m (625 ft)
SLED10-9B D	940 nm	10°	190 m (625 ft)	32 m (105 ft)
SLED20-9B D	940 nm	20°	120 m (395 ft)	42 m (135 ft)
SLED30-9B D	940 nm	30°	95m (310 ft)	50 m (165 ft)
SLED60-9B D	940 nm	60°	65 m (210 ft)	75 m (245 ft)
SLED95-9B D	940 nm	95°	45 m (145 ft)	100 m (330 ft)
SLED120-9B D	940 nm	120°	30 m (100 ft)	110 m (360 ft)

* Actual illumination distance achieved is dependent on camera and lens characteristics. Use a high performance 1/2-inch format camera and IR-corrected lens at F1.4 to achieve a minimum SN ratio of 20dB.

Ordering information

SLED10-8BD AEGIS Illuminator

AEGIS Intelligent-IR SLED illuminator, 10°, 850 nm
Order number **SLED10-8BD**

SLED20-8BD AEGIS Illuminator

AEGIS Intelligent-IR SLED illuminator, 20°, 850 nm
Order number **SLED20-8BD**

SLED30-8BD AEGIS Illuminator

AEGIS Intelligent-IR SLED illuminator, 30°, 850 nm
Order number **SLED30-8BD**

SLED60-8BD AEGIS Illuminator

AEGIS Intelligent-IR SLED illuminator, 60°, 850 nm
Order number **SLED60-8BD**

SLED95-8BD AEGIS Illuminator

AEGIS Intelligent-IR SLED illuminator, 95°, 850 nm
Order number **SLED95-8BD**

SLED120-8BD AEGIS Illuminator

AEGIS Intelligent-IR SLED illuminator, 120°, 850 nm
Order number **SLED120-8BD**

SLED10-9BD AEGIS Illuminator

AEGIS Intelligent-IR SLED illuminator, 10°, 940 nm
Order number **SLED10-9BD**

SLED20-9BD AEGIS Illuminator

AEGIS Intelligent-IR SLED illuminator, 20°, 940 nm
Order number **SLED20-9BD**

SLED30-9BD AEGIS Illuminator

AEGIS Intelligent-IR SLED illuminator, 30°, 940 nm
Order number **SLED30-9BD**

SLED60-9BD AEGIS Illuminator

AEGIS Intelligent-IR SLED illuminator, 60°, 940 nm
Order number **SLED60-9BD**

SLED95-9BD AEGIS Illuminator

AEGIS Intelligent-IR SLED illuminator, 95°, 940 nm
Order number **SLED95-9BD**

SLED120-9BD AEGIS Illuminator

AEGIS Intelligent-IR SLED illuminator, 120°, 940 nm
Order number **SLED120-9BD**

Accessories

UFLED-CI-5M Switching Cable

5 m (16.4 ft) remote telemetry or day/night switching
cable for Aegis illuminators
Order number **UFLED-CI-5M**

UFLED-CL-1M Link Cable

1 m (3.3 ft) telemetry link cable for Aegis illuminators
Order number **UFLED-CL-1M**

PSU-224-DC100 Universal Power Supply

Universal Power Supply 2x24 VDC
Order number **PSU-224-DC100**

Represented by:

Americas:

Bosch Security Systems, Inc.
130 Perinton Parkway
Fairport, New York, 14450, USA
Phone: +1 800 289 0096
Fax: +1 585 223 9180
security.sales@us.bosch.com
www.boschsecurity.us

Europe, Middle East, Africa:

Bosch Security Systems B.V.
P.O. Box 80002
5617 BA Eindhoven, The Netherlands
Phone: + 31 40 2577 284
Fax: +31 40 2577 330
emea.securitysystems@bosch.com
www.boschsecurity.com

Asia-Pacific:

Robert Bosch (SEA) Pte Ltd, Security
Systems
11 Bishan Street 21
Singapore 573943
Phone: +65 6571 2808
Fax: +65 6571 2699
apr.securitysystems@bosch.com
www.boschsecurity.asia

China:

Bosch (Shanghai) Security Systems Ltd.
201 Building, No. 333 Fuquan Road
North IBP
Changning District, Shanghai
200335 China
Phone +86 21 22181111
Fax: +86 21 22182398
www.boschsecurity.com.cn

America Latina:

Robert Bosch Ltda Security Systems Division
Via Anhanguera, Km 98
CEP 13065-900
Campinas, Sao Paulo, Brazil
Phone: +55 19 2103 2860
Fax: +55 19 2103 2862
latam.boschsecurity@bosch.com
www.boschsecurity.com