



REG-D1 License Plate Cameras



- ▶ License plate capture with color overview camera for surrounding area surveillance
- ▶ High-speed capture to 160 km/h (100 mph)
- ▶ Integrated LED illumination for night-time image capture
- ▶ Ambient rejection technology eliminates problems caused by headlight glare
- ▶ Low voltage, energy efficient operation
- ▶ Compact and installation friendly design

The REG-D1 series delivers advanced license plate capture performance and features a high resolution color overview camera for surrounding area surveillance to identify vehicle model and color.

REG-D1 integrates advances in optics, electronics, infrared illumination and ambient rejection technology to overcome all the challenges typically associated with license plate capture to deliver consistent, reliable images in the most challenging of conditions

With an operational range of up to 30 m (100 ft) or 25 m (80 ft) depending on number plate size, the REG-D1 delivers high contrast license plate images across the complete spectrum of ambient lighting from total darkness to direct glare from sunlight or vehicle headlights regardless of the prevailing lighting conditions. The camera can capture clear plate images from vehicles traveling at speeds of up to 160 km/h (100 mph), making REG-D1 suitable for motorways and highways applications.

The camera housing is weather sealed and IP66 / NEMA 4 rated for field-proven performance in the most extreme surveillance conditions. LED infrared illumination ensures consistent, reliable capture day and night.

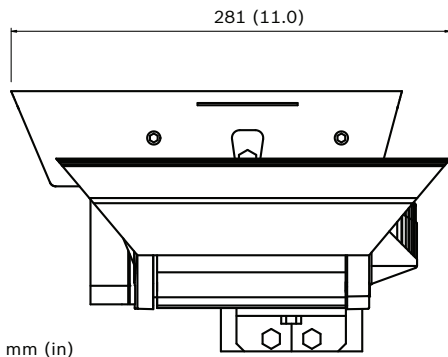
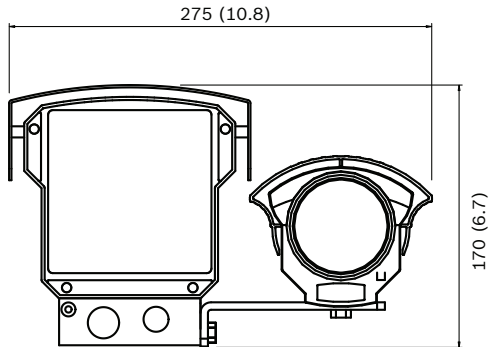
REG-D1 is designed to work with NVRs and DVRs, and is specifically engineered for easy integration with third party ANPR software.

Applications

- ANPR
- Traffic Monitoring
- Border Control
- Parking
- Security and Access Control
- Post event investigation
- Police

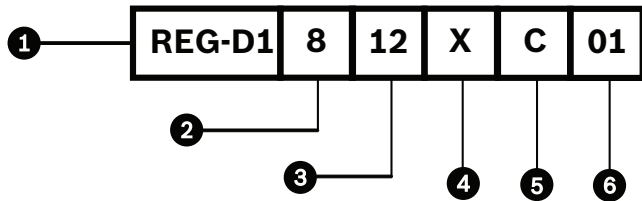
Installation/Configuration Notes

Dimensions



mm (in)

Ordering chart



1 Model	REG-D1	
2 Wavelength	8	850 nm
3 Lens	012	12 mm
	016	16 mm
	025	25 mm
	035	35 mm
	050	50 mm
	075	75 mm
4 Camera Type	X	Standard
5 Region	C	CCIR
	E	EIA
6 Color	01	Black

Technical Specifications

Operational Range	Up to 30 m (100 ft) or 25 m (80 ft) depending on number plate size
Camera Sensors	License plate capture camera: 1/2-inch LXR CCD sensor Color overview camera: 1/3-inch LXR CCD sensor
Camera Resolution	License plate capture camera: 600 TVL Color overview camera: 480 TVL
IR Illumination	850 nm LED infrared array
Typical Operational Life	> 5 years
Power Input	12 – 24 VAC or VDC
Power Consumption	30 W max.
Operational Temp. Range	-50°C to +50°C (-58°F to +122°F)
Construction	Robust, weather sealed aluminum casting and extrusion
Environmental	IP66 / NEMA 4
Dimensions	281 x 275 x 170 mm (11.0 x 10.8 x 6.6 in)
Weight	5.8 kg (12.7 lb)
Color	Black as standard (RAL B401)
Bracket	Order bracket separately

Camera Selection Tables

Range for 12 x 6 in (305 x 152 mm) number plates (common in North America)

Model	Range	Optimal Distance
REG-D1-816	4 to 7 m (12 to 22 ft)	5 m (16 ft)
REG-D1-825	6 to 10 m (20 to 34 ft)	8 m (25 ft)
REG-D1-835	8 to 15 m (27 to 48 ft)	11 m (35 ft)
REG-D1-850	12 to 21 m (40 to 68 ft)	15 m (50 ft)
REG-D1-875	17 to 24 m (55 to 80 ft)	23 m (75 ft)

Range for 520 x 111 mm (20.5 x 4.4 in) number plates (common in Europe)

Model	Range	Optimal Distance
REG-D1-812	3 to 6 m (10 to 20 ft)	5 m (16 ft)
REG-D1-816	5 to 8 m (16 to 26 ft)	7 m (23 ft)
REG-D1-825	7 to 12 m (23 to 40 ft)	10 m (33 ft)
REG-D1-835	11 to 18 m (34 to 60 ft)	15 m (50 ft)
REG-D1-850	17 to 25 m (56 to 82 ft)	22 m (72 ft)
REG-D1-875	22 to 30 m (72 to 100 ft)	28 m (92 ft)

Ordering Information

REG-D1-812XC-01 License Plate Camera License plate reader with LED 850 nm, lens 12 mm, SX8 camera, CCIR, black	REG-D1-812XC-01
REG-D1-816XC-01 License Plate Camera License plate reader with LED 850 nm, lens 16 mm, SX8 camera, CCIR, black	REG-D1-816XC-01
REG-D1-825XC-01 License Plate Camera License plate reader with LED 850 nm, lens 25 mm, SX8 camera, CCIR, black	REG-D1-825XC-01
REG-D1-835XC-01 License Plate Camera License plate reader with LED 850 nm, lens 35 mm, SX8 camera, CCIR, black	REG-D1-835XC-01
REG-D1-850XC-01 License Plate Camera License plate reader with LED 850 nm, lens 50 mm, SX8 camera, CCIR, black	REG-D1-850XC-01
REG-D1-816XE-01 License Plate Camera License plate reader with LED 850 nm, lens 16 mm, SX8 camera, EIA, black	REG-D1-816XE-01
REG-D1-825XE-01 License Plate Camera License plate reader with LED 850 nm, lens 25 mm, SX8 camera, EIA, black	REG-D1-825XE-01
REG-D1-835XE-01 License Plate Camera License plate reader with LED 850 nm, lens 35 mm, SX8 camera, EIA, black	REG-D1-835XE-01
REG-D1-850XE-01 License Plate Camera License plate reader with LED 850 nm, lens 50 mm, SX8 camera, EIA, black	REG-D1-850XE-01
REG-D1-875XE-01 License Plate Camera License plate reader with LED 850 nm, lens 75 mm, SX8 camera, EIA, black	REG-D1-875XE-01
Accessories	
EXMB.015B Pole Mount Adapter Bracket Pole Mount Adapter, black	EXMB.015B
EXMB.017B Wall Mount Adapter Bracket Wall Mount Adapter, Black	EXMB.017B
EXMB.028B Cable Managed Wall Bracket Cable-managed arm bracket, black	EXMB.028B
EXMB.029B Ceiling Mount Bracket Ceiling Mount Bracket, Black	EXMB.029B
EXMB.061 Pole Top Bracket Stainless Pole Top Bracket	EXMB.061
UPA-2450-60 Power Supply 120VAC, 60Hz, 24VAC, 50VA Out	UPA-2450-60
UPA-2450-50 Power Supply 220VAC, 50Hz, 24VAC, 50VA Out	UPA-2450-50

Americas:
Bosch Security Systems, Inc.
130 Perinton Parkway
Fairport, New York, 14450, USA
Phone: +1 800 289 0096
Fax: +1 585 223 9180
security.sales@us.bosch.com
www.boschsecurity.us

Europe, Middle East, Africa:
Bosch Security Systems B.V.
P.O. Box 80002
5600 JB Eindhoven, The Netherlands
Phone: + 31 40 2577 284
Fax: +31 40 2577 330
emea.securitysystems@bosch.com
www.boschsecurity.com

Asia-Pacific:
Robert Bosch (SEA) Pte Ltd, Security Systems
11 Bishan Street 21
Singapore 573943
Phone: +65 6571 2600
Fax: +65 6571 2698
apr.securitysystems@bosch.com
www.boschsecurity.com

Represented by