


BOSCH

Invented for life

PT1260EX Explosion-proof Pan/Tilt



- ▶ Meets NEMA type 4X standards
- ▶ 120 or 230 VAC operation
- ▶ Rugged construction
- ▶ For use in a variety of harsh and/or hazardous environments
- ▶ Heavy duty adjustable worm-gear final drive
- ▶ Optional preset positioning capability
- ▶ Limit stops internally adjustable
- ▶ Indoor/outdoor applications
- ▶ Maximum load 100 lbs (45.4 kg)

The PT1260EX pan/tilt has been engineered to meet the rigorous requirements of explosion-proof and dust-ignition-proof electrical equipment installed in Class I (Group C and D) and Class II (Group E, F, and G) hazardous locations.

Easily capable of handling loads up to 100 pounds (45.4 kg), the PT1260EX is ideally suited for use with Pelco's EHX*E Series explosion-proof enclosure for potentially hazardous or combustible applications.

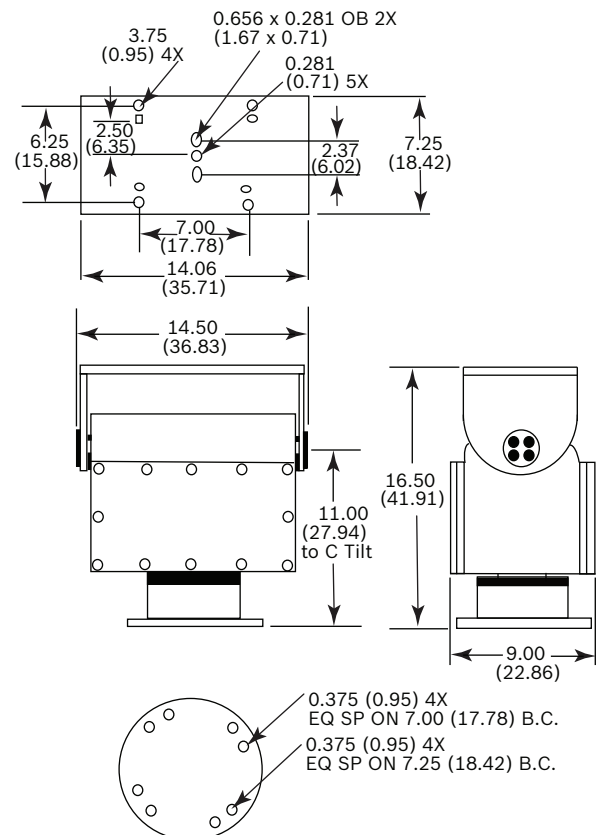
The PT1260EX features rugged, high torque AC motors and adjustable worm-gear final drives to ensure long operational life, as well as drift free operation.

Manufactured from anodized, plate aluminum with all internal and external parts corrosion-protected steel or aluminum. The fasteners are stainless steel fasteners. Pan and tilt limit stops are internally adjustable.

Certifications and Approvals

- UL Listed (PT1260EX and PT1260EX/PP)
- Meets NEMA Type 4X standards
- For use in Class I (Groups C and D) and Class II (Groups E, F, and G) hazardous locations

Installation/Configuration Notes



Technical Specifications

Models

PT1260EX	Explosion-proof/weatherproof pan/tilt, 120 VAC
PT1260EX/220	Same as PT1260EX except 230 VAC operation
PT1260EX/PP	Same as PT1260EX except has preset option. Requires preset control.
PT1260EX/PP/230	Same as PT1260EX/PP except 230 VAC operation

Electrical

	PT1260EX	PT1260EX/220
Input Voltage	120 VAC, 50/60 Hz	230 VAC, 50/60 Hz

Power Requirements

Running	Pan	0.48 A (57.5 VA)	0.19 A (43.7 VA)
	Tilt	0.48 A (57.5 VA)	0.27 A (62.1 VA)
Starting	Pan	0.60 A (72.5 VA)	0.19 A (43.7 VA)
	Tilt	0.60 A (72.5 VA)	0.27 A (62.1 VA)
Connectors	Explosion-proof gland (supplied)		
Motors	Two-phase induction type, instantaneous reversing		
Limit Switches	5 A each (pan and tilt); internal adjustment		
Conductor Requirements	6, unshielded (functions: left, right, up, down, motor common, safety ground). PP option requires 4 additional conductors		

Maximum Operating Distances

	Cable Size	Maximum Distance	
PT1260EX 6 Conductors	20 AWG (0.5 mm ²)	489 ft (149 m)	5,800 ft (1,767 m)
	18 AWG (1.0 mm ²)	778 ft (237 m)	8,250 ft (2,515 m)
	16 AWG (1.5 mm ²)	1,235 ft (376 m)	13,000 ft (3,962 m)
	PT1260EX/220 6 Conductors	20 AWG (0.5 mm ²)	2,463 ft (750 m)
	18 AWG (1.0 mm ²)	3,918 ft (1,194 m)	
	16 AWG (1.5 mm ²)	6,218 ft (1,895 m)	

Notes:

- The distance from the control to the pan/tilt is the same as distance from the relay box to the pan/tilt.
- Maximum operating distance can be extended by using a low voltage control.
- (24 VAC) and a relay box. The distance from the control to the relay box is the same for all applications.
- Distances are calculated with both motors (pan and tilt) running and assuming a 10% voltage drop in the cable.

Mechanical

Pan	0-355° movement in horizontal plane
Speed	6°/sec ±1°
Torque	50 ft-lb with specified voltage
Tilt	±90° movement in vertical plane
Speed	3°/sec ±0.5°
Torque	100 ft-lb with specified voltage
Maximum Load	100 lb (45.4 kg) at 5 in. (12.7 cm) from tilt table surface to center of gravity
Gearing	Adjustable worm-gear final drive to prevent drift and minimize backlash

Bearings

Pan	Sealed, heavy-duty ball bearings
Tilt	Oilite bronze bushing
Braking	Mechanical
Duty Cycle	50% duty cycle; 30 minute rating

General

Construction	Anodized, aluminum plate; all internal and external parts corrosion protected; stainless steel fasteners
Tilt Shaft	Type 316 stainless steel
Finish	Gray polyester powder coat
Environment	Indoor/outdoor operation
Temperature	-10° to 120°F (-23° to 49°C)
Unit Weight	69 lb (31.2 kg)
Shipping Weight	75 lb (34 kg)

Recommended Controls

Coaxitron Matrix	See individual specification sheets for information. Preset pan/tilt must be used with Coaxitron or matrix control with PP capability and preset receiver.
MPTAZ Series	Desktop pan/tilt and zoom lens control with auto/random scan for 120/230/24 VAC pan/tilts.
RB115	Relay box for 120 VAC pan/tilts. Extends operating distance (control to relay box). Use only with MPT24DT or MPTAZ24DT low voltage controls.

Recommended Enclosures

Pelco EHX*E Series Explosion-proof enclosure

Pelco and the Pelco logo are registered trademarks of Pelco, all rights reserved. All data and dimensions are referenced from the Pelco specification sheet and are subject to change without notice.

Ordering Information

PT1260EX Explosion-proof Pan/Tilt Explosion-proof/weatherproof pan/tilt, 120 VAC	PT1260EX
PT1260EX/230 Explosion-proof Pan/Tilt Explosion-proof/weatherproof pan/tilt, 230 VAC	PT1260EX/230
PT1260EX/PP Explosion-proof Pan/Tilt Explosion-proof/weatherproof pan/tilt, 120 VAC, with preset positioning option	PT1260EX/PP
PT1260EX/PP/230 Explosion-proof Pan/ Tilt Explosion-proof/weatherproof pan/tilt, 230 VAC, with preset positioning option	PT1260EX/PP/230

Americas:
Bosch Security Systems, Inc.
130 Perinton Parkway
Fairport, New York, 14450, USA
Phone: +1 800 289 0096
Fax: +1 585 223 9180
security.sales@us.bosch.com
www.boschsecurity.us

Europe, Middle East, Africa:
Bosch Security Systems B.V.
P.O. Box 80002
5600 JB Eindhoven, The Netherlands
Phone: + 31 40 2577 284
Fax: +31 40 2577 330
emea.securitysystems@bosch.com
www.boschsecurity.com

Asia-Pacific:
Robert Bosch (SEA) Pte Ltd, Security Systems
11 Bishan Street 21
Singapore 573943
Phone: +65 6258 5511
Fax: +65 6571 2698
apr.securitysystems@bosch.com
www.boschsecurity.com

Represented by