

MM3000, TC9209MM-W, TC9217MM Series, TC9220MM Series, TC9227MM Series, Monitor Mounts

- **Sturdy Construction**
- **Attractive Appearance**
- **Versatile Designs**
- **Wide Range of Sizes**
- **For Wall and Ceiling Installations**
- **Accessories Available**



This series of monitor mounts provides a convenient method of mounting most monitors to ceilings and walls. Units are available for mounting 23-cm (9-inch) to 69-cm (27-inch) monitors. The trays on all units swivel and are adjustable for tilt; monitors are easily mounted to the random hole patterns on the trays.

The MM3000 is a ceiling mount for 23-cm (9-inch) to 30-cm (12-inch) monitors. It is designed to mount to a ceiling or flat overhead surface. Its light weight aluminum construction offers fast and easy installation. Tray locks with Allen wrench.

The TC9209MM-W is a wall mount for 23-cm (9-inch) to 33-cm (13-inch) monitors.

This unit has a locking mounting tray with a key-type lock.

The TC9217MM-C, TC9220MM-C, and TC9227MM-C are structural ceiling mounts. The TC9217MM-C is for 30-cm (12-inch) to 43-cm (17-inch) monitors; the TC9220MM-C is for 36-cm (14-inch) to 51-cm (20-inch) monitors, and the TC9227MM-C is for 51-cm (20-inch) to 69-cm (27-inch) monitors. All units have adjustable mounting trays.

The TC9217MM-W, TC9220MM-W, and TC9227MM-W are suspended wall mounts. The TC9217MM-W is for 30-cm (12-inch) to 43-cm (17-inch) monitors, the TC9220MM-W is for 36-cm (14-inch) to 51-cm (20-inch) monitors, and the TC9227MM-W is for 51-cm (20-inch) to 69-cm (27-inch) monitors. All units have adjustable mounting trays.

The TC9220EC2 and TC9220EC4 are attractive extension columns for the TC9217MM-C, TC9220MM-C, and the TC9227MM-C ceiling mounts.

Structural Ceiling Mounts

MM3000

Monitor Size: 23-cm (9-inch) to 30-cm (12-inch).

Maximum Load: 18 kg (40 lb).

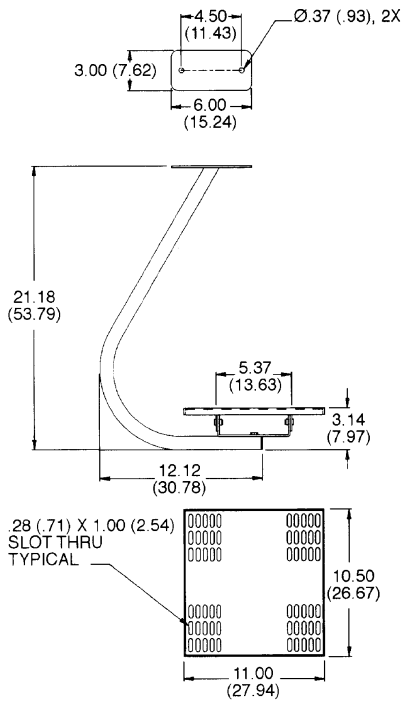
Pan: 360°.

Tilt: 45° maximum forward.

Finish: Off-white.

Dimensions: See drawing.

Weight: 3.62 kg (8 lb).



Dimensions are shown in inches; dimensions in parenthesis are in centimeters.

TC9217MM-C

Monitor Size: 30-cm (12-inch) to 43-cm (17-inch).

Maximum Load: 114 kg (250 lb).

Pan: 360°.

Tilt Range: 40° (20° down, 20° up).

Finish: Black.

Dimensions: See drawing.

Weight: 12.4 kg (27.3 lb).

TC9220MM-C

Monitor Size: 36-cm (14-inch) to 51-cm (20-inch).

Maximum Load: 114 kg (250 lb).

Pan: 360°.

Tilt Range: 40° (20° down, 20° up).

Finish: Black.

Dimensions: See drawing.

Weight: 14.8 kg (32.7 lb).

TC9227MM-C

Monitor Size: 51-cm (20-inch) to 69-cm (27-inch).

Maximum Load: 114 kg (250 lb).

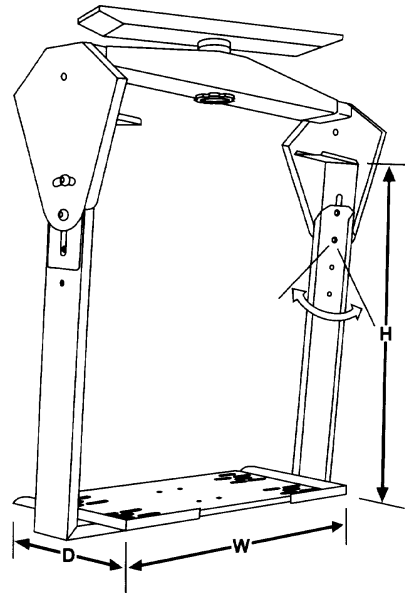
Pan: 360°.

Tilt Range: 40° (20° down, 20° up).

Finish: Black.

Dimensions: See drawing.

Weight: 16.1 kg (35.5 lb).



Model No.	Width (W)	Height (H)	Depth (H)	Units (D)
TC9217MM-C	343 to 534 13.5 to 21	324 to 457 12.75 to 18	254 10	mm in
TC9220MM-C	483 to 648 19 to 25.5	400 to 533 15.75 to 21	14 356	mm in
TC9227MM-C	622 to 775 24.5 to 30.5	527 to 660 20.75 to 26	356 14	mm in

Wall Mounts

TC9209MM-W

Monitor Size: 23-cm (9-inch) to 33-cm (13-inch).

Maximum Load: 22.7 kg (50 lb).

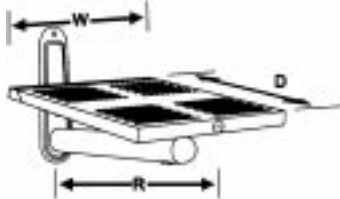
Pan: 360°.

Tilt Range: 0°/5°/10°.

Finish: Black.

Dimensions: See drawing.

Weight: 3.9 kg (8.5 lb).



Width (W)	Depth (D)	Reach (R)	Units
267	292	368	mm
10.5	11.5	14.5	in

Suspended Wall Mounts

TC9217MM-W

Monitor Size: 30-cm (12-inch) to 43-cm (17-inch).

Maximum Load:

Concrete Wall: 68 kg (150 lb).

Wood Stud Wall: 125 kg (57 lb).

Pan: 360°.

Tilt Range: 40° (20° down, 20° up).

Finish: Black.

Dimensions: See drawing.

Weight: 13.8 kg (30.5 lb).

TC9220MM-W

Monitor Size: 36-cm (14-inch) to 51-cm (20-inch).

Maximum Load:

Concrete Wall: 68 kg (150 lb).

Wood Stud Wall: 125 kg (57 lb).

Pan: 360°.

Tilt Range: 40° (20° down, 20° up).

Finish: Black.

Dimensions: See drawing.

Weight: 16.7 kg (36.9 lb).

TC9227MM-W

Monitor Size: 51-cm (20-inch) to 69-cm (27-inch).

Maximum Load:

Concrete Wall: 68 kg (150 lb).

Wood Stud Wall: 125 kg (57 lb).

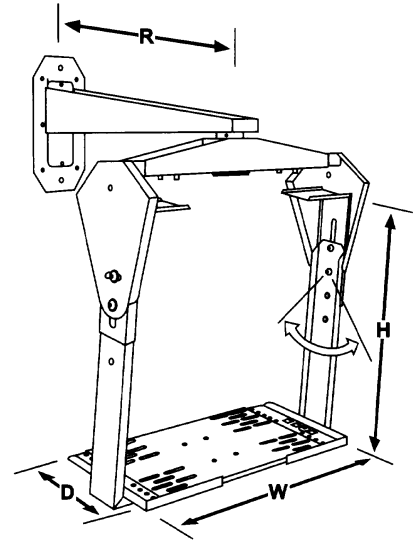
Pan: 360°.

Tilt Range: 40° (20° down, 20° up).

Finish: Black.

Dimensions: See drawing.

Weight: 19.7 kg (43.4 lb).



Model No.	Width (W)	Height (H)	Depth (D)	Reach	Units
TC9217MM-W	343 to 534	324 to 457	254	457	mm
	13.5 to 21	12.75 to 18	10	18	in
TC9220MM-W	483 to 648	400 to 533	14	457	mm
	19 to 25.5	15.75 to 21	356	18	in
TC9227MM-W	622 to 775	527 to 660	356	572	mm
	24.5 to 30.5	20.75 to 26	14	22.5	in

Accessories

Extension columns used to increase ceiling clearance for TC9217MM-C, TC9220MM-C, and TC9227MM-C ceiling mounts. Consist of 1 1/2-inch-11.5 NPT pipe with notched ends for safety locking.

TC9220EC2

Finish: Black.

Length: 610 mm (24 in).

Weight: 2.55 kg (5.6 lb).

T9220EC4

Finish: Black.

Length: 1219 mm (48 in).

Weight: 10.7 kg (4.9 lb).



TC9220EC2, TC9220EC4 Extension Columns

Suggested Mounts for Philips Monitors

Monitor Model No.	Ceiling Mount	Wall Mount
LTC 2009	MM3000	TC9209MM-W
LTC 2012	TC9217MM-C	TC9209MM-W
LTC 2017	TC9217MM-C	TC9217MM-W
TC210A	MM3000	TC9209MM-W
TC213A	TC9217MM-C	TC9209MM-W
TC215	TC9217MM-C	TC9217MM-W
TC221	TC9220MM-C	TC9220MM-W
PA7020C	TC9220MM-C	TC9220MM-W
PA7027C	TC9227MM-C	TC9227MM-W

