

# LTC 0829, LTC 0729 Series In-Ceiling LTC 0825, LTC 0725 Series Pendant Color and Monochrome AutoDome® Systems

- 160-mm (6.3-in) Dome
- High Resolution
- High Sensitivity
- High Speed Pan/Tilt
- Remotely Configurable
- RS-232 Compatible
- Patented AutoPivot™ Feature
- Patented Auto Scaling Feature
- Sector & Preset Titling



The Philips LTC 0829 Series In Ceiling and LTC 0825 Series Pendant G3 AutoDome systems offer 100x zoom (16x optical, 6.3 digital) in a small easy-to-install, lightweight package making it an inconspicuous effective deterrent.

These integrated units offers high speed panning and tilting with 360° continuous rotation and 0.5° accuracy on presets so you can get to any pre-position, with great accuracy, in less than a second. In addition, the patented scaling feature ensures that you have optimum control for viewing at all zoom settings

To ensure reliability, the G3 AutoDome systems are manufactured with rugged new motors and fewer moving parts making them ideal for high-usage application.

The G3 Ceiling AutoDome was designed to save you time. The camera easily twists and locks into place making installations a breeze. They included an on-screen display during programming to ensure correct first time setup. They also come standard with 16 character sector titling (16 sectors) and pre-position titling (99 pre-positions) so that you always know what you are viewing.

The auto-playback feature allows you to store up to three minutes of control commands and play them back whenever needed. For maximum flexibility, these units store all camera and position information including pan, tilt, zoom, AGC, pre-positions, camera set-up, etc.

As with all Philips AutoDome systems, the G3 includes a patented AutoPivot feature that automatically rotates and flips the camera so tracking a subject walking under the dome is effortless.

You can use your Philips Allegiant control systems or G3 keyboard to set limits, pan between limits, control the phase adjustable line-lock delay, set the AGC, activate backlight compensation, or any other of the advanced standard features included in the G3 AutoDome.

A variety of styles, colors, and mounting options are available for all applications.

# SYSTEM

## In Ceiling Models

Kit No.	Format	Trim Ring Color
LTC 0729/19	Mono, CCIR	Charcoal
LTC 0729/29	Mono, EIA	Charcoal
LTC 0829/19	Color, PAL	Charcoal
LTC 0829/29	Color, NTSC	Charcoal

### In Ceiling Kits Include:

LTC 7490/20 Backbox and Mounting Kit.

Camera Module:

Model No.	Format
LTC 0729/10	Mono, CCIR
LTC 0729/20	Mono, EIA
LTC 0829/10	Color, PAL
LTC 0829/20	Color, NTSC

Acrylic Dome:

- LTC 7462/01: Clear Capsule (Standard)
- LTC 7461/01: Tinted Capsule (Optional)

## Pendant Models

Model No.	Format	Color
LTC 0725/10	Mono, CCIR	White
LTC 0725/20	Mono, EIA	White
LTC 0725/11	Mono, CCIR	Charcoal
LTC 0725/21	Mono, EIA	Charcoal
LTC 0825/10	Color, PAL	White
LTC 0825/20	Color, NTSC	White
LTC 0825/11	Color, PAL	Charcoal
LTC 0825/21	Color, NTSC	Charcoal

### Pendant Mounting Accessories

Model No.	Format	Color
LTC9540/00	Wall Arm	White
LTC9540/01	Wall Arm	Charcoal
LTC9543/00	Pipe Mount	White
LTC9543/01	Pipe Mount	Charcoal

## Electrical

### Connectors:

Video Out: BNC.

Data: Terminal block.

Power: Terminal block.

## Mechanical

**Dimensions:** See **DIMENSIONAL OUTLINES.**

### Weight:

In-Ceiling Models: 2.7 kg (6 lb).

Pendant Models: 3.6 kg (8 lb).

## Environmental

### Temperature:

Operating: -10 °C to +50 °C (+14 °F to +122 °F).

Storage: -40 °C to +60 °C (-40 °F to +140 °F).

**Humidity:** 0% to 90% relative, noncondensing.

## Electromagnetic Compatibility

**EMC Requirements:** CE Immunity, CE Emission Class A, FCC Class A.

**Safety:** CE, UL, cUL.

## CAMERA MODULE

Camera Module includes 1/3-inch camera with covert inner liner, f/1.2, 16 x auto-iris zoom lens with auto-focus, pan/tilt, and Allegiant® biphase or RS-232 receiver/driver.

Model No.	Rated Voltage	Voltage Range	Power at Rated Voltage
All Models	24 VAC, 50/60 Hz	21 to 28	15 W

## Electrical

### Horizontal Resolution (Typical):

Mono Models: 550 TVL.

Color Models: 425 TVL.

### Sensitivity (3200 K):

		COLOR		MONO	
		Usable Picture	Full Video	Usable Picture	Full Video
Scene illumination <sup>1</sup>	fc	0.08	0.5	0.04	0.4
	lx	0.8	5	0.4	4

1. With clear dome and an f/1.2 lens, 75% highlight reflectance.

**Zoom Range:** 100 x.

Optical: 16 x (4.5 mm to 72 mm), f/1.2.

Digital: 6.3 x.

**Signal-to-Noise (AGC off):** Unified weighting filter per CCIR Recommendation 567.

44 dB minimum, 46 dB typical.

**AGC:** 30 dB maximum gain.

**Light Range (AGC on):** 50,000:1 minimum.

**White Balance (Color Models Only):** Automatic Sensing (Thru the lens): 2700 K to 9000 K.

**Video Output:** 1.0 Vp-p, 75 ohm.

**Aperture Correction:** Horizontal and vertical.

### Synchronization:

**Line-Lock:** Synchronizes camera to power line zero crossing for roll-free vertical interval switching. Vertical phase delay can be remotely adjusted to allow vertical synchronization in multiphase power installations.

**Crystal-Lock:** Internal crystal reference.

**Pan/Tilt:**

Pan Range: 0° to 360° continuous.

Tilt Range: 0° to 90° from horizontal plane.

Pan/Tilt Speeds:

Manual Mode:

Proportional variable to 120°/s<sup>1</sup>.

Ramp-up variable to 120°/s (for fixed speed systems).

Pre-position Speed Mode: 360°/s (applies to pan only).

Pre-positions: 99 with accuracy of ± 0.5°<sup>2</sup>.

1. Requires Allegiant series switcher/control systems or LTC 5136 Series Controller.
2. LTC 5135 Series controller/followers provide two pre-positions.

**Miscellaneous Features:**

Camera Setup/Control: Bi-phase or RS-232

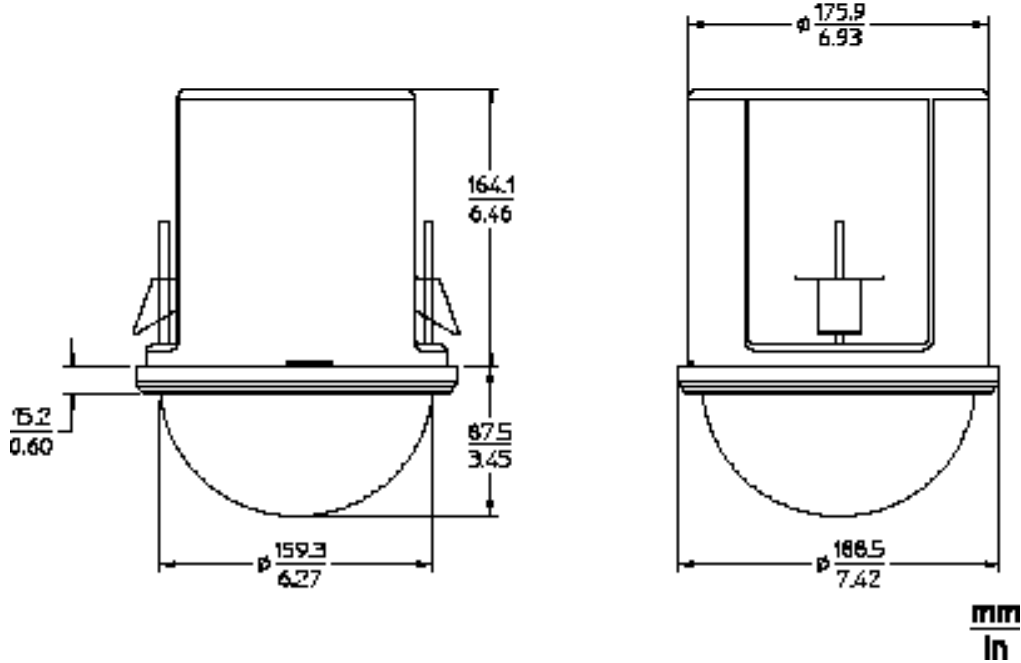
Pre-Positions: 99

Guard Tour: 3 minute duration, all camera functions - can be stored in memory

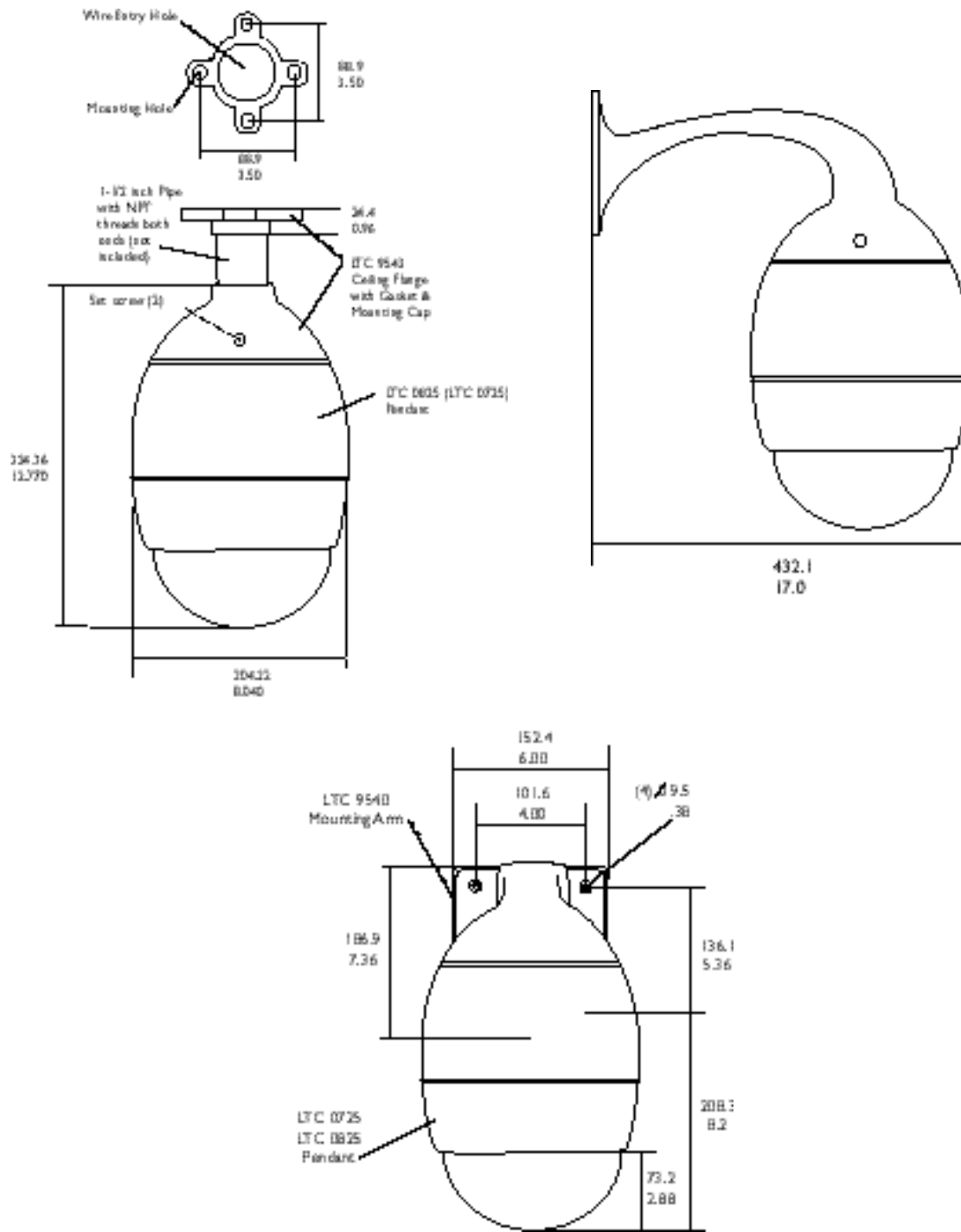
Addressing: 3 digit "thumbwheel" type, accessible - from below

Title: 16 characters

Sectors: 16 independant sectors



Suspended/Hard Ceiling Models



Pendant Models



**PHILIPS**

*Let's make things better*