

# LTC 948x Series Housings

- For 1/4-inch, 1/3-inch & 1/2-inch CCD Cameras
- Feed-through Wiring Option
- Aluminum and Advanced Polymer Construction
- Easy Installation
- Full Camera Accessibility
- Available in Multiple Sizes
- Cost Competitive
- Multiple Accessories Available



The LTC 948x Series Housings are smartly styled housings for indoor and outdoor use. These housings meet customers' demands for attractive housings that are both cost competitive and easy to install. They are available in multiple sizes to fit a wide range of cameras and lenses.

The design of these housings is unique. Removal of two captive screws is all that is necessary to slide off the cover and totally expose the camera and lens. This allows access to all camera and lens controls when the camera is in its mounted position. Power, video, and lens control cabling can be routed through liquid tight fittings in the

bottom rear of the housing or can be routed through the mounting base. Feed-through mounts and J-mounts are available for these housings to completely hide the cabling.

The base of the housings permits mounting to pan/tilts, adjustable heads, and various wall mounts.

These sturdily constructed housings are available with a preinstalled heater or a preinstalled heater and blower. The heater maintains the internal temperature of the housing in cold temperature conditions and the heater/blower combination minimizes fogging in high humidity locations and extends the temperature limits.

# SPECIFICATIONS

## Electrical

Model No.	Preinstalled Heater or Heater/Blower <sup>1</sup>	Voltage/Power V/W	Use with Camera Models with These Voltage Ratings
<b>Indoor/Outdoor Units</b>			
LTC 9480/00	----	----	24
LTC 9483/00	----	----	24, 115, 230
LTC 9484/00	----	----	24, 115, 230
LTC 9488/00	----	----	24, 115, 230
<b>Outdoor Units</b>			
LTC 9480/20	Heater	24/15	24
LTC 9483/20	Heater	24/23	24
LTC 9483/21	Heater/Blower	24/25	24
LTC 9483/50	Heater	230/23	230
LTC 9483/60	Heater	115/23	115
LTC 9483/61	Heater/Blower	115/28	115
LTC 9484/20	Heater	24/23	24
LTC 9484/21	Heater/Blower	24/25	24
LTC 9484/50	Heater	230/23	230
LTC 9484/60	Heater	115/23	115
LTC 9484/61	Heater/Blower	115/28	115
LTC 9488/20	Heater	24/40	24
LTC 9488/21	Heater/Blower	24/42	24
LTC 9488/50	Heater	230/40	230
LTC 9488/60	Heater	115/40	115
LTC 9488/61	Heater/Blower	115/45	115

1. The heaters and blowers for all models operate at 50/60 Hz.

## Mechanical

### Maximum Camera and Lens:

LTC 9480/00: 68 W x 54 H x 197 L mm (2.68 x 2.1 x 7.75 in).
LTC 9480/20: 68 W x 54 H x 197 L mm (2.68 x 2.1 x 7.75 in) <sup>1</sup> .
LTC 9483/00: 68 W x 54 H x 267 L mm (2.68 x 2.1 x 10.5 in).
LTC 9483/20: 68 W x 54 H x 267 L mm (2.68 x 2.1 x 10.5 in) <sup>1</sup> .
LTC 9483/50: 68 W x 54 H x 267 L mm (2.68 x 2.1 x 10.5 in) <sup>1</sup> .
LTC 9483/60: 68 W x 54 H x 267 L mm (2.68 x 2.1 x 10.5 in) <sup>1</sup> .
LTC 9483/21: 68 W x 54 H x 216 L mm (2.68 x 2.1 x 8.5 in) <sup>2</sup> .
LTC 9483/61: 68 W x 54 H x 216 L mm (2.68 x 2.1 x 8.5 in) <sup>2</sup> .
LTC 9484/00: 71 W x 71 H x 279 L mm (2.8 x 2.8 x 11 in).
LTC 9484/20: 71 W x 71 H x 279 L mm (2.8 x 2.8 x 11 in) <sup>1</sup> .
LTC 9484/21: 71 W x 71 H x 229 L mm (2.8 x 2.8 x 9 in) <sup>2</sup> .
LTC 9484/50: 71 W x 71 H x 279 L mm (2.8 x 2.8 x 11 in) <sup>1</sup> .
LTC 9484/60: 71 W x 71 H x 279 L mm (2.8 x 2.8 x 11 in) <sup>1</sup> .
LTC 9484/61: 71 W x 71 H x 229 L mm (2.8 x 2.8 x 9 in) <sup>2</sup> .
LTC 9488/00: 71 W x 71 H x 356 L mm (2.8 x 2.8 x 14.0 in).
LTC 9488/20: 71 W x 71 H x 356 L mm (2.8 x 2.8 x 14.0 in) <sup>1</sup> .
LTC 9488/50: 71 W x 71 H x 356 L mm (2.8 x 2.8 x 14.0 in) <sup>1</sup> .
LTC 9488/60: 71 W x 71 H x 356 L mm (2.8 x 2.8 x 14.0 in) <sup>1</sup> .
LTC 9488/21: 71 W x 71 H x 318 L mm (2.8 x 2.8 x 12.5 in) <sup>2</sup> .
LTC 9488/61: 71 W x 71 H x 318 L mm (2.8 x 2.8 x 12.5 in) <sup>2</sup> .

1. With heater.

2. With heater and blower.

### Cable Entry:

LTC 9480 & LTC 9483 Series: Two liquid tight rear fittings accept cable diameters from 4.3 mm to 11.9 mm (0.17 in to 0.47 in). Two bottom feed-through liquid tight fittings accept cable diameters from 4.6 mm to 7.9 mm (0.18 in to 0.31 in).

LTC 9484 & LTC 9488 Series: Three liquid tight rear fittings, two of which accept cable diameters from 4.3 mm to 11.9 mm (0.17 in to 0.47 in) and one that accepts cable diameters from 4.6 mm to 7.9 mm (0.18 in to 0.31 in). Two bottom feed-through liquid tight fittings accept cable diameters from 4.6 mm to 7.9 mm (0.18 in to 0.31 in).

**Window:** 3 mm (0.12 in) thick UV-stabilized polycarbonate.

**Housing Mounting:** Four (4) available 1/4-20 tapped holes. Only one set of two is required for mounting.

**Camera Mounting:** Removable camera bracket. Mounted with two screws.

**Construction:** Aluminum cover, aluminum base, aluminum mounting foot, polycarbonate faceplate, glass reinforced polycarbonate end caps, neoprene gasket, ethylene propylene seal, and all stainless steel hardware.

**Finish:** Dark mushroom.

**Dimensions:** See drawings.

### Weight (approx.):

LTC 9480 Series: 1.4 kg (3 lb).

LTC 9483 Series: 1.8 kg (4 lb).

LTC 9484 Series: 2.3 kg (5 lb).

LTC 9488 Series: 3.2 kg (7 lb).

## Environmental

**Temperature:** At external temperature of -40 °C to 50 °C (-40 °F to 122 °F) maintains internal temperatures between -20 °C and 55 °C (-4 °F to 131 °F) with heater/blower.

**Salt Atmosphere:** MIL-STD-810E, Method 509, Procedure I.

**Enclosure Protection:** IP65, Designed to meet NEMA 4.

## Electromagnetic Compatibility

**Safety:** UL, cUL, CE.

## Accessories

**Sunshield:** Provides protection from the direct rays of sun and promotes cooling to reduce internal housing temperatures. Strongly recommended for housing to be used outdoors.

LTC 9083/00: For LTC 9483 Series housings.

LTC 9083/00S: For LTC 9480 Series housings.

LTC 9084/00: For LTC 9484 Series housings.

LTC 9088/00: For LTC 9488 Series housings.

**LTC 9080/00 Tamper Resistant Kit:** Includes 10 screws and insertion tool to permit tamper resistance for five housings.

**LTC 9215/00 Mount:** Feed-through mount attached to the foot of housing for LTC 9483, LTC 9484 & LTC 9488 Series housings.

**LTC 9215/00S Mount:** Feed-through mount attached to the foot of housing for LTC 9480 Series housings.

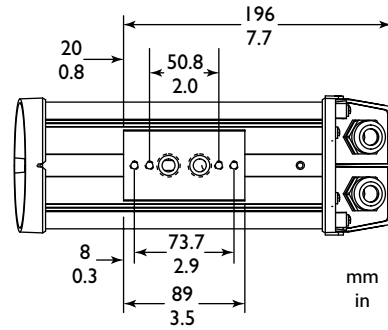
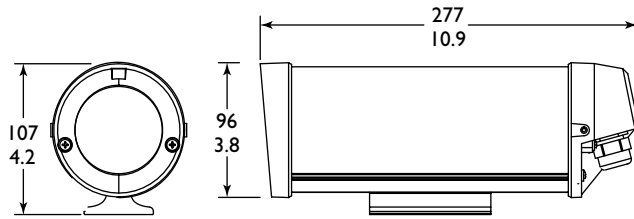
**LTC 9219/01 J-mount:** Feed-through J-mount allows housing to be mounted from ceiling.

**LTC 9480/20HTR Heater:** 15 W heater for LTC 9480/00.

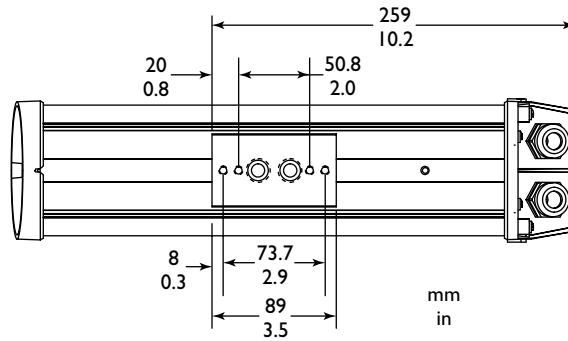
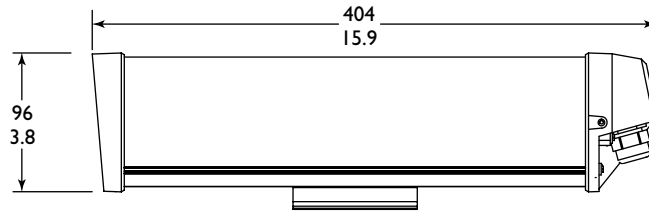
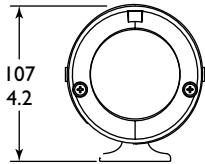
### Suggested Applications:

	LTC 9480	LTC 9483	LTC 9484	LTC 9488
<b>Camera Model</b>	<b>Lens</b>	<b>Lens</b>	<b>Lens</b>	<b>Lens</b>
LTC 0330	Fixed/Vari <sup>1</sup>	Fixed/Vari <sup>1</sup>	Fixed/Vari/ Small Zoom	Fixed/Vari/ Zoom
LTC 0350	Fixed/Vari <sup>1</sup>	Fixed/Vari <sup>1</sup>	Fixed/Vari/ Small Zoom	Fixed/Vari/ Zoom
LTC 0430	Fixed/Vari <sup>1</sup>	Fixed/Vari <sup>1</sup>	Fixed/Vari/ Small Zoom	Fixed/Vari/ Zoom
LTC 0450	Fixed/Vari <sup>1</sup>	Fixed/Vari <sup>1</sup>	Fixed/Vari/ Small Zoom	Fixed/Vari/ Zoom
LTC 0500	----	----	Fixed/Vari/ Small Zoom	Fixed/Vari/ Zoom
LTC 0600	----	----	Fixed/Vari/ Small Zoom	Fixed/Vari/ Zoom

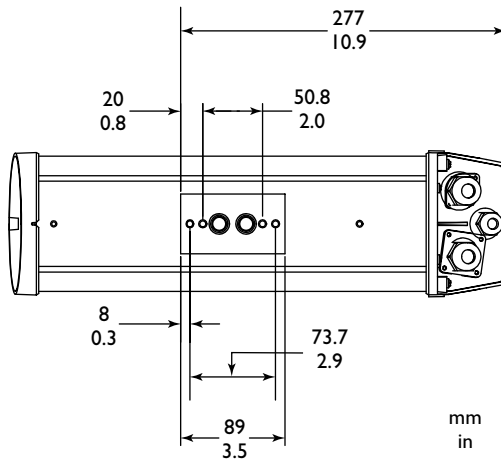
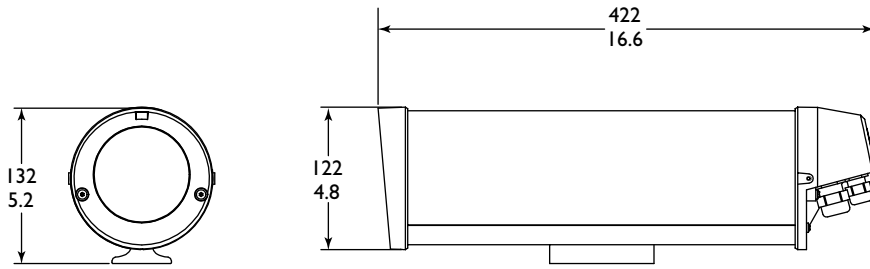
1. The camera mounting block must be removed.



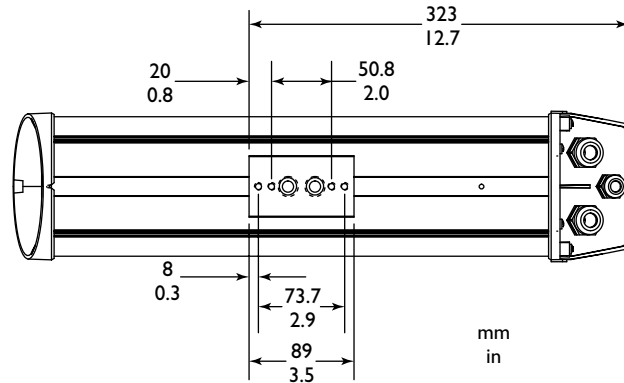
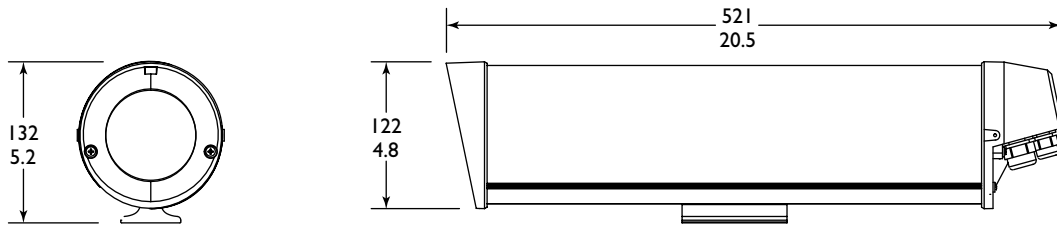
**LTC 9480 Series**



**LTC 9483 Series**



**LTC 9484 Series**



**LTC 9488 Series**

9498 961 22613 01-30  
Printed In U.S.A.

© 2001 Philips Electronics N.V.  
© 2001 Philips Communication, Security & Imaging, Inc.  
All Rights Reserved. Philips ® is a registered trademark of  
Philips Electronics N.V.  
Data subject to change without notice



**PHILIPS**

*Let's make things better.*