

# LTC 9349 Series, LTC 9449 Series Suspended Ceiling and Pendant Dome Housings

- For Fixed Camera Installations
- Plenum Ceiling or Pendant Applications
- Adjustable Viewing Direction
- Dust Resistant
- Concealed Camera Position
- Easy Installation
- 360° Adjustable Viewing Direction



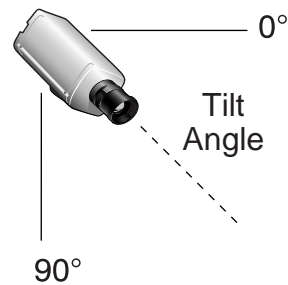
These attractive domed housings accommodate 1/4-inch to 1/2-inch solid-state cameras for surveillance in a variety of indoor CCTV applications. These units have a 160 mm (6.3 in) dome with a clear viewing window engulfed with a covert opaque black area. These totally enclosed units are dust resistant and include a swivel head camera mounting to provide a G3 AutoDome® looking installation for fixed camera applications.

The LTC 9349/00 suspended ceiling model can be easily mounted in both sheet rock and standard drop ceilings, using a new quick-latch mount. The LTC 9349/00 backbox is constructed from durable aluminum, with conduit access and accommodations for safety cables, making it ideal for use in plenum ceiling applications.

The LTC 9449/00 pendant dome housing can be mounted from a ceiling or from a wall with appropriate accessories. It is constructed from durable aluminum for long life. Since this housing mounts in the same way as the AutoDome units, it may be replaced at a later time with an AutoDome unit if all the necessary wiring is run to the mounting flange.

## LTC 9349 Series & LTC 9449 Series Compatibility Chart

Camera Series with Lens <sup>1</sup>	Available Tilt Angle <sup>2</sup>
LTC 0330, LTC 0350, LTC 0430, LTC 0450 with "A" Lens	30° to 90°
LTC 0330, LTC 0350, LTC 0430, LTC 0450 with "B" Lens	40° to 90°
LTC 0500, LTC 0600 with "B" Lens	50° to 90°



1. A Lens: Auto Iris, fixed focal length. Overall lens length is 40.6 mm (1.6 in).  
B Lens: Auto Iris, vari-focal 3.5 to 8 mm. Overall lens length is 50.8 mm (2.0 in).
2. Values shown are valid when using a right angle BNC connector.

# SPECIFICATIONS

## Models:

- LTC 9349 Series Suspended Ceiling Housings
- LTC 9349/00: White Trim Ring.
- LTC 9349/01: Charcoal Trim Ring.

- LTC 9449 Series Pendant Dome Housings
- LTC 9449/00-40: Includes wall arm - white.
- LTC 9449/01-40: Includes wall arm - charcoal.
- LTC 9449/00-43: Includes pipe mount - white.
- LTC 9449/01-43: Includes pipe mount - charcoal.

**Maximum Camera/Lens:** 190 L x 76 W x 76 H mm (7.5 x 3.0 x 3.0 in). A right angle BNC is recommended.

**Camera Mounting:** A two-arm camera support bracket, adjustable forward and backward, is included with each unit.

**Enclosure Mounting:** See drawings.

**Construction:** Housing is constructed of aluminum. The lower capsule has a silk-screened window with a clear viewing area.

**Dimensions:** See drawings.

## Weight:

- LTC 9349 Series: 0.9 kg (2 lb).
- LTC 9449 Pendant with wall arm: 3.1 kg (6.8 lb).
- LTC 9449: Pendant with pipe mount: 1.8 kg (4 lb).

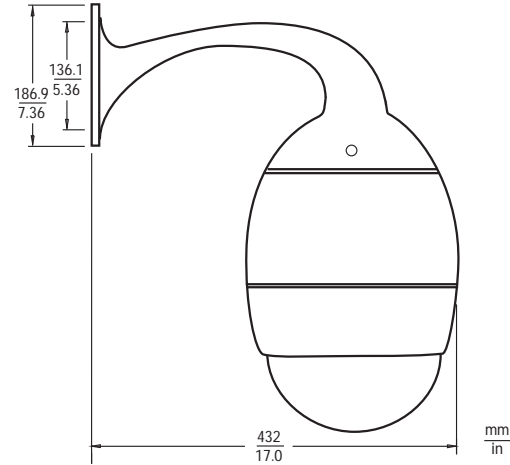
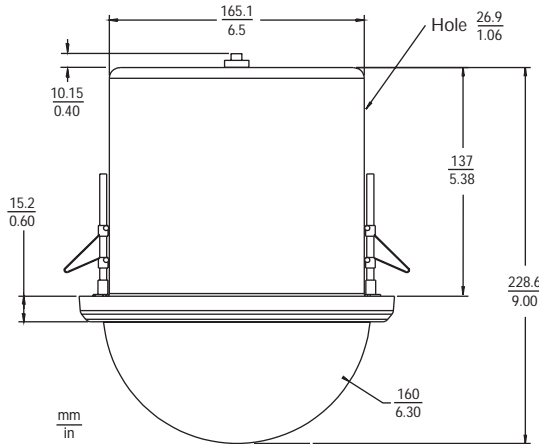


Fig. 1: LTC 9349 Series Suspended Ceiling Models

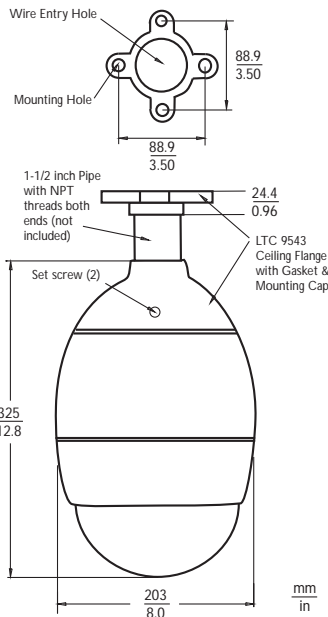


Fig. 2: LTC 9449/0x-43  
Shown with included pipe mount.

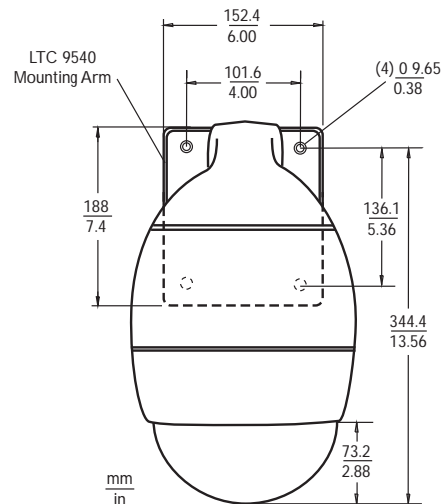


Fig. 3: LTC 9449/0x-40  
Shown with included wall arm.



# PHILIPS

*Let's make things better.*