

MIC Series 550 Camera

www.boschsecurity.com



- ▶ Choice of 36x or 28x day/night cameras with 550 TVL, 12x digital zoom, and wide dynamic range
- ▶ Sodium Vapor White Balance mode restores objects to their original color
- ▶ Rated to an industry-leading IP68
- ▶ Advanced privacy masking; Image stabilization
- ▶ Various mounting options, including on-site canting

The MIC Series 550 camera combines cutting-edge technology with the latest production techniques to provide a class-leading feature set in an economical package. The MIC Series 550 range takes high quality surveillance to new levels of excellence.

As a best-fit camera for virtually any security application, it can be installed in the harshest of environments. Thanks to its IP68-rated aluminum casing, the MIC Series 550 camera functions perfectly in the most demanding conditions. This tough and vandal-resistant casing provides protection from the elements and physical attack. An integrated long-life silicone wiper and a reversible rain shield ensure high quality images regardless of the installed environment.

The brushless-motor technology offers ultra-reliable, quiet operation with full 360° continuous rotation pan and 270° tilt control for exceptional viewing capability. Small increment pan speeds from just 0.2° per second to 120° per second gives the user precise control. This speed control is especially important when used with video analytic systems, particularly for tracking subjects when fully zoomed in.

The MIC Series 550 camera incorporates Bosch's standard AutoDome controller interface supporting familiar AutoDome on-screen menus. This enhancement

makes it simple to integrate and use the MIC Series 550 within systems that already use Bosch AutoDome cameras and systems.

System Overview

Rated to an industry-leading IP68

Subjected and certified to rigorous IP68 dust and immersion tests, MIC Series cameras are perfectly suited for installation in even the most unforgiving environments, eliminating the need for pressurization.

The camera is machined from solid aluminum and protected from corrosion by two different processes: first, it receives a coating of Alodine 5200, a chromate conversion coating of aluminum that is used in the aerospace and defense industries where a protective layer is required to improve corrosion resistance. Second, it receives a robust, powder paint coating. The camera is sealed with 'O' rings and can operate submerged in up to one (1) meter (3.3 feet) of water for sustained periods of time [a maximum duration of 24 hours]. (It is not rated to be installed permanently under water.)

Various mounting options, including on-site canting

The MIC Series 550 camera features twist-lock on-site canting functionality. This allows the camera to be installed upright, inverted, or canted (at a 45° angle) to achieve the perfect field of view. No matter the installation position, the camera will operate faultlessly.

Integrated wiper

Regardless of the weather, the MIC Series 550 camera is able to capture the highest possible quality image all year long, thanks to its integrated, long-life silicone wiper.

Multi-protocol operation

Compatible with Bosch Bilinx and OSRD protocols, as well as with Pelco “P” and “D” protocols over RS-485, the MIC Series 550 camera integrates seamlessly with existing security systems. The camera is also compatible with the Bosch converter for Biphase protocol; a second converter, sold separately, is required to use this Biphase converter.

Applications:

- General CCTV
- Town centers
- ANPR systems
- Vandalism prone areas
- Extreme environments
- Rapid deployment
- High security
- Prestigious developments
- Broadcast
- Marine/coastal
- Architectural

Functions**High-performance PTZ day/night cameras**

Image control and quality are integral aspects of any PTZ camera, and the MIC Series 550 camera delivers. The camera is available with a choice of 28X or the industry-leading 36X optical zoom lens, and offers a full 12X digital zoom. Both camera options provide 550 TVL of horizontal resolution for outstanding clarity and image detail. The cameras also incorporate technology that dramatically improves the dynamic range by 128 times. Also known as Wide Dynamic Range (WDR), it results in clear image reproduction in extreme high-contrast environments. The AutoScaling (proportional zoom) and AutoPivot (automatically rotates and flips the camera) features ensure optimal control.

Day/night capabilities and outstanding sensitivity make the MIC Series 550 cameras exceptional performers in all lighting conditions. In low light, these cameras automatically switch from color to monochrome by removing the IR filter to boost sensitivity, while maintaining superior image quality. For operation in the darkest conditions, the SensUp control feature automatically reduces the shutter speed to as little as one second. This increases sensitivity by more than 50 times.

In addition to low light applications, the camera is also an exceptional performer when viewing under a sodium vapor lamp (for example, a street lamp or tunnel lamp). Images under these conditions normally have a yellowish tint, so the MIC Series 550 camera automatically compensates for the light from a sodium vapor lamp to restore objects to their original color.

With super-quick, 120°/60° per-second pan/tilt speeds, the MIC Series 550 camera outperforms other cameras in its class. The camera supports 99 pre-positions and two styles of Guard Tours: Preset and Record/Playback. The preset tour has capability for up to 99 pre-positions with a configurable dwell time between pre-positions, and can be customized as to the order and frequency each preset is visited. The camera also provides support for two recorded tours, which have a combined duration of 15 minutes of movements. These are recorded macros of an operator’s movements, including pan, tilt, and zoom activities, and can be played back in a continuous manner.

Superior privacy masking

The MIC Series 550 camera allows for a total of 24 individual privacy masks, with up to eight displayed in the same scene. Unlike conventional privacy masks, these can be programmed with three, four, or even five corners each to cover more complex shapes. Each mask changes size and shape smoothly and quickly, ensuring that the covered object cannot be seen. Each mask can appear in black, white, or blurred. Blurred is useful when privacy is an issue, but determining the presence of motion is still required.

Image Stabilization

As PTZ cameras continue to improve their optical zoom capabilities, image stabilization becomes critical to eliminate movement caused by unstable camera mounts. A mere quarter-inch of movement of the camera mount can shift the field of view by more than 6 m (20 feet) when the camera is zoomed to a high value. This can render images unusable. Image stabilization algorithms included with the MIC Series 550 camera reduces camera shake in both the vertical and horizontal axis, resulting in exceptional image clarity (pixel displacement up to +/- 10% for frequencies up to 10 Hz). Bosch’s unique image stabilization solution does not reduce camera sensitivity, unlike competitive systems.

Ease of installation and servicing

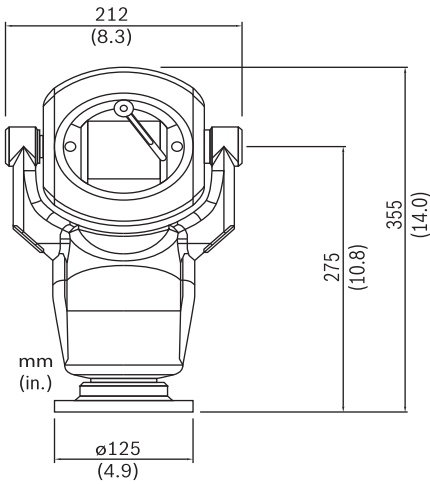
Bosch’s innovative software, the Configuration Tool for Imaging Devices (CTFID), allows technicians or operators to control the PTZ, change camera settings, and even update firmware from virtually anywhere without need for additional wiring.

The MIC Series 550 camera has advanced built-in diagnostics to simplify service and minimize downtime. Using the On Screen Display (OSD), a technician can quickly and easily check critical parameters (such as internal temperature) to verify that the camera is functioning within acceptable operating limits.

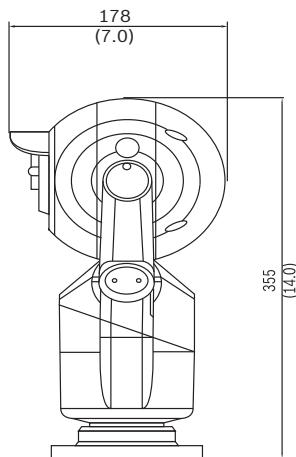
Certifications and Approvals

Electromagnetic Compatibility (EMC)	Complies with FCC Part 15, ICES-003, and CE regulations, including EN50130-4 and EN61000-3-2 & 3-3 and EN55022
Product Safety	Complies with CE regulations, UL, EN, and IEC Standards 60950-1 & 22
Weatherproofing	IP68 (1m submersion for 24 hrs)
Region	Certification
USA	UL

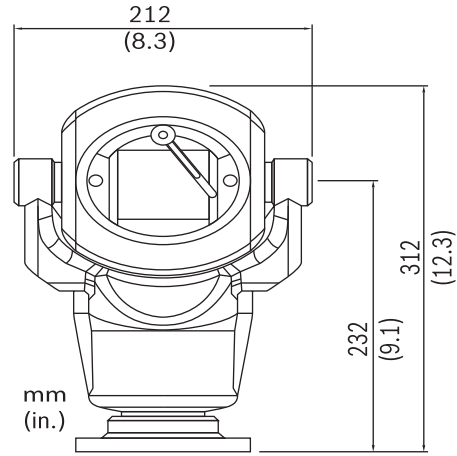
Installation/Configuration Notes



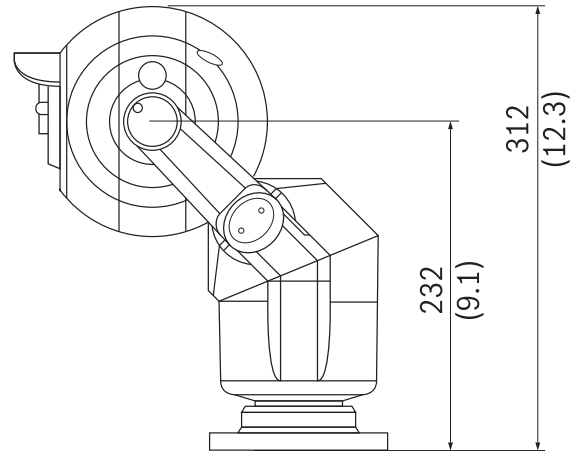
Front Detail, 90° (upright)



Side Detail, 90° (upright)



Front detail, 45° (canted)



Side detail, 45° (canted)

Technical Specifications

Camera 36x Day/Night

Imager	1/4 in.-type Exview HAD CCD (progressive scan)
Effective Picture Elements	PAL: Approx. 440,000; 752(H) x 582(V) NTSC: Approx. 380,000; 768 (H) x 494 (V)
Lens	36x Zoom (3.4 to 122.4 mm) F1.6 to F4.5
Zoom Movement Speed	4.0 seconds (optical Wide to optical TELE) 6.2 seconds (optical wide to digital TELE)
Focus	Automatic with manual override
Iris	Automatic with manual override
Field of View	1.7° to 57.8°
Video Output	1.0 Vp-p, 75 Ohm

Gain Control	Auto/Manual/Max. (-3 dB to 28 dB, 2 dB steps)	
Aperture Correction	Horizontal and vertical	
Digital Zoom	12x	
Horizontal Resolution	550 TVL (NTSC, PAL) typical	
Sensitivity (typical)¹	30 IRE	50 IRE
Day Mode		
SensUp Off	0.66 lux	1.4 lux
SensUp On (NTSC: 1/4s, 15X; PAL 1/3s, 16.7X)	0.04 lux	0.1 lux
Night Mode		
SensUp Off	0.104 lux	0.209 lux
SensUp On (NTSC: 1/4s, 15X; PAL 1/3s, 16.7X)	0.0052 lux	0.0103 lux
Electronic Shutter Speed	1/1 to 1/10,000 sec., 22 steps	
Signal-to-Noise Ratio (SNR)	>50 dB	
White Balance	2000 K to 10,000 K	

¹ Unless otherwise stated, test conditions are: F1.6; shutter = NTSC 1/60s, PAL 1/50s; max AGC

Camera 28x Day/Night

Imager	1/4 in.-type Exview HAD CCD (progressive scan)	
Effective Picture Elements	PAL: Approx. 440,000; 752(H) x 582(V) NTSC: Approx. 380,000; 768 (H) x 494 (V)	
Lens	28x Zoom (3.5 to 98.0 mm) F1.35 to F3.7	
Zoom Movement Speed	1.7 seconds (optical wide to optical TELE, optical wide to digital TELE)	
Focus	Automatic with manual override	
Iris	Automatic with manual override	
Field of View	2.1° to 55.8°	
Video Output	1.0 Vp-p, 75 Ohm	
Gain Control	Auto/Manual/Max. (-3 dB to 28 dB, 2 dB steps)	
Aperture Correction	Horizontal and vertical	
Digital Zoom	12x	
Horizontal Resolution	550 TVL (NTSC, PAL) typical	
Sensitivity (typical)²	30 IRE	50 IRE
Day Mode		
SensUp Off	0.33 lux	0.66 lux

SensUp On (NTSC: 1/4s, 15X; PAL 1/3s, 16.7X)	0.02 lux	0.04 lux
Night Mode		
SensUp Off	0.066 lux	0.166 lux
SensUp On (NTSC: 1/4s, 15X; PAL 1/3s, 16.7X)	0.0026 lux	0.0082 lux
Electronic Shutter Speed	1/1 to 1/10,000 sec., 22 steps	
Signal-to-Noise Ratio (SNR)	>50 dB	
White Balance	2000 K to 10,000 K	

² Unless otherwise stated, test conditions are: F1.35, shutter = NTSC 1/60s, PAL 1/50s; max AGC

Mechanical

Drive Unit	Brushless, integral pan/tilt motor drive
Pan Range	360° continuous rotation
Tilt Angle	270°
Tilt Range	Upright unit: -58° - +90° Canted unit: -103° - +90°
Variable Speed	Pan: 0.2°/second - 120°/second Tilt: 0.2°/second - 60°/second
Pre-position Speed	120°/second
Preset Accuracy	0.17° (typical)
Proportional Pan/Tilt to Zoom	Yes
Audible Noise	<66dB

Electrical

Input voltage	18 VAC nominal
Power Consumption	18 W maximum
Current Consumption	1 A maximum

Miscellaneous

Sectors/Titling	16 independent sectors with 20-character titles/ sector
Privacy Masking	24 individually-configurable privacy masks
Pre-positions	99, each with 20-character titles
Camera Setup/Control	RS-485, Bilinx (coax); also Bosch Biphase with converter (sold separately)
Communications Protocols	Bosch (Bilinx, OSRD), Pelco P/D (Also Bosch Biphase to OSRD protocol converter, sold separately.)

Guard Tours	Two (2) types of tours: <ul style="list-style-type: none"> Recorded tours - two (2), total duration 15 minutes Preset tour - one (1), consisting of up to 99 scenes, consecutively and (1) customized up to 99 scenes
Window Wiper	Standard
Washer Drive	Optional washer kit (MIC-WKT Kit used with the appropriate HAC-WAS washer pump)
Supported Languages	English, Czech*, Dutch, French, German, Italian, Polish, Portuguese, Russian*, Spanish

* Available with separate language upload

User Connections

Power	Via composite cable*
RS-485 Biphase ±	Control Data (Optional; requires MIC Biphase module with external power supply.)
Video	Coaxial via composite cable*
Alarm Inputs	One (1) tamper input (eight [8] additional inputs possible with optional alarm card)
Relay Out	Two (2) relay outputs and washer relay output only with optional alarm card
Alarm Communication	Tamper switch (ground connection)



Notice

* Composite cable sold separately.

Environmental

Design Rating	IP68
Operating Temperature	-40 °C to +60 °C (-40 °F to +140 °F)
Cold Start-up Temperature	-40 °C (-40 °F) (Requires 30- minute warm-up prior to PTZ operations)
Storage Temperature	-40 °C to +70 °C (-40 °F to +158 °F)
Humidity	0-100%
Wind Load	209 km/h (130 mph) (sustained) (Gusts up to 290 km/h (180 mph)) Effective Projected Area (EPA): 0.044m ² (0.47 ft ²)
Vibration	IEC60068-2-6, Test Fc: Vibration (sinusoidal), 20m/s ² (2.0g)
Shock	IEC60068-2-7, Test Ea: Shock, 20g

Construction

Dimensions (W x H x D)	
Upright and Inverted	212 x 355 x 177 mm (8.35 x 14.0 x 7.0 in.)

Canted	212 x 312 x 255 mm (8.35 x 12.3 x 10.0 in.)
Weight	7 kg (15.43 lb) including 4 in. pitch circle diameter (PCD) base
Viewing Window	Tempered flat glass
Construction Material	Cast solid aluminum
Standard Colors	Black (RAL 9005), White (RAL 9010), or Grey (RAL 9006, available in specific regions)
Standard Finish	Alodine 5200 surface treatment with powder coat paint, sand finish
Window Wiper	Standard, long-life silicone wiper
Canting	Twist-lock canting secured by two security screws

Ordering Information

MIC-550ALB28N 28X NTSC Camera, Black

PTZ, day/night, aluminum, Black, 28X, NTSC
Order number **MIC-550ALB28N**

MIC-550ALW28N 28X NTSC Camera, White

PTZ, day/night, aluminum, White, 28X, NTSC
Order number **MIC-550ALW28N**

MIC-550ALB36N 36X NTSC Camera, Black

PTZ, day/night, aluminum, Black, 36X, NTSC
Order number **MIC-550ALB36N**

MIC-550ALW36N 36X NTSC Camera, White

PTZ, day/night, aluminum, White, 36X, NTSC
Order number **MIC-550ALW36N**

MIC-550ALB28P 28X PAL Camera, Black

PTZ, day/night, aluminum, Black, 28X, PAL
Order number **MIC-550ALB28P**

MIC-550ALG28P 28X PAL Camera, Grey

PTZ, day/night, aluminum, Grey, 28X, PAL
Note: Available in specific regions only.
Order number **MIC-550ALG28P**

MIC-550ALW28P 28X PAL Camera, White

PTZ, day/night, aluminum, White, 28X, PAL
Order number **MIC-550ALW28P**

MIC-550ALB36P 36X PAL Camera, Black

PTZ, day/night, aluminum, Black, 36X, PAL
Order number **MIC-550ALB36P**

MIC-550ALG36P 36X PAL Camera, Grey

PTZ, day/night, aluminum, Grey, 36X, PAL
Note: Available in specific regions only.
Order number **MIC-550ALG36P**

MIC-550ALW36P 36X PAL Camera, White

PTZ, day/night, aluminum, White, 36X, PAL
Order number **MIC-550ALW36P**

Accessories**MIC-24PSU-UL 24 VAC Camera Power Supply**

24 VAC, 50/60 Hz power supply for MIC Series cameras

Order number **MIC-24PSU-UL**

MIC-115PSU-UL 115 VAC Camera Power Supply

115 VAC, 60 Hz power supply for MIC Series cameras

Order number **MIC-115PSU-UL**

MIC-240PSU-UL 240 VAC Camera Power Supply

240 VAC, 50 Hz power supply for MIC Series cameras

Order number **MIC-240PSU-UL**

MIC-2M-S 2 m Shielded Composite Cable

Shielded Composite 2 m cable that provides power, telemetry and video connection from a MIC Series camera to a MIC Series power supply

Order number **MIC-2M-S**

MIC-10M-S 10 m Shielded Composite Cable

Shielded Composite 10 m cable that provides power, telemetry and video connection from a MIC Series camera to a MIC Series power supply

Order number **MIC-10M-S**

MIC-20M-S 20 m Shielded Composite Cable

Shielded Composite 20 m cable that provides power, telemetry and video connection from a MIC Series camera to a MIC Series power supply

Order number **MIC-20M-S**

MIC-25M-S 25 m Shielded Composite Cable

Shielded Composite 25 m cable that provides power, telemetry and video connection from a MIC Series camera to a MIC Series power supply

Order number **MIC-25M-S**

MIC-DCA-WD Deep Conduit Adapter, White

Deep conduit adapter for 4 in. PCD base, white sand finish (RAL9010)

Order number **MIC-DCA-WD**

MIC-DCA-BD Deep Conduit Adapter, Black

Deep conduit adapter for 4 in. PCD base, black sand finish (RAL9005)

Order number **MIC-DCA-BD**

MIC-DCA-GD Deep Conduit Adapter, Grey

Deep conduit adapter for 4 in. PCD base, grey sand finish (RAL 9006)

Order number **MIC-DCA-GD**

MIC-SCA-WD Shallow Conduit Adapter, White

Shallow conduit adapter for a MIC-WMB, a MIC-PMB, or a MIC-SPR mount, white sand finish (RAL9010)

Order number **MIC-SCA-WD**

MIC-SCA-BD Shallow Conduit Adapter, Black

Shallow conduit adapter for a MIC-WMB, a MIC-PMB, or a MIC-SPR, black sand finish (RAL9005)

Order number **MIC-SCA-BD**

MIC-SCA-GD Shallow Conduit Adapter, Grey

Adapter for a MIC-WMB, a MIC-PMB, or a MIC-SPR, grey sand finish (RAL 9006)

Order number **MIC-SCA-GD**

MIC-SPR-WD Spreader Plate, White

Aluminum spreader plate suitable for brickwork surface mounting, white sand finish (RAL9010)

Order number **MIC-SPR-WD**

MIC-SPR-BD Spreader Plate, Black

Aluminum spreader plate suitable for brickwork surface mounting, black sand finish (RAL9005)

Order number **MIC-SPR-BD**

MIC-SPR-GD Spreader Plate, Grey

Aluminum spreader plate suitable for brickwork surface mounting, grey sand finish (RAL 9006)

Order number **MIC-SPR-GD**

MIC-CMB-WD Corner Mount Bracket, White

Corner mount bracket, white sand finish (RAL9010)

Order number **MIC-CMB-WD**

MIC-CMB-BD Corner Mount Bracket, Black

Corner mount bracket, black sand finish (RAL9005)

Order number **MIC-CMB-BD**

MIC-CMB-GD Corner Mount Bracket, Grey

Corner mount bracket, grey sand finish (RAL 9006)

Order number **MIC-CMB-GD**

MIC-PMB Pole Mount Bracket

Pole mount bracket (includes 2 x 455 mm stainless steel banding straps for pole diameters 75 to 145 mm)

Order number **MIC-PMB**

MIC-WMB-WD Wall Mount Bracket, White

Wall mount bracket, white sand finish (RAL9010)

Order number **MIC-WMB-WD**

MIC-WMB-BD Wall Mount Bracket, Black

Wall mount bracket, black sand finish (RAL9005)

Order number **MIC-WMB-BD**

MIC-BP3 Biphase Converter

Biphase converter for IR power supplies or non-IR power supplies without a free expansion slot available

Order number **MIC-BP3**

MIC-BP4 Biphase Converter

Biphase converter for non-IR versions of MIC series power supply units

Order number **MIC-BP4**

MIC-ALM Alarm and Washer Pump Drive Card

8 Input alarm and washer pump drive card for PSU (Not for IR PSU)

Order number **MIC-ALM**

MIC-WKT Washer Kit

Washer kit for non infrared MIC models (includes washer pump drive card, washer nozzle and mounting brackets for wall and 4 in. PCD base)

Order number **MIC-WKT**

HAC-WAS05-20 24 VAC Washer

24 VAC washer inst. 4M 25L

Order number **HAC-WAS05-20**

HAC-WAS30-50 230 VAC Washer

230 VAC washer inst. 30M 25L

Order number **HAC-WAS30-50**

MIC-500-RWAB Replacement Wiper Assembly, Black

Order number **MIC-500-RWAB**

MIC-500-RWAC Replacement Wiper Assembly, Silver

Order number **MIC-500-RWAC**

MIC-WMB-GD Wall Mount Bracket, Grey

Order number **MIC-WMB-GD**

Software Options

VP-CFGSFT Configuration Tool for Imaging Devices

Camera configuration software for use with Bilinx cameras

Order number **VP-CFGSFT**

Represented by:

Americas:

Bosch Security Systems, Inc.
130 Perinton Parkway
Fairport, New York, 14450, USA
Phone: +1 800 289 0096
Fax: +1 585 223 9180
security.sales@us.bosch.com
www.boschsecurity.us

Europe, Middle East, Africa:

Bosch Security Systems B.V.
P.O. Box 80002
5600 JB Eindhoven, The Netherlands
Phone: + 31 40 2577 284
Fax: +31 40 2577 330
emea.securitysystems@bosch.com
www.boschsecurity.com

Asia-Pacific:

Robert Bosch (SEA) Pte Ltd, Security Systems
11 Bishan Street 21
Singapore 573943
Phone: +65 6258 5511
Fax: +65 6571 2698
apr.securitysystems@bosch.com
www.boschsecurity.asia