



LTC 9480/00 Indoor Housing



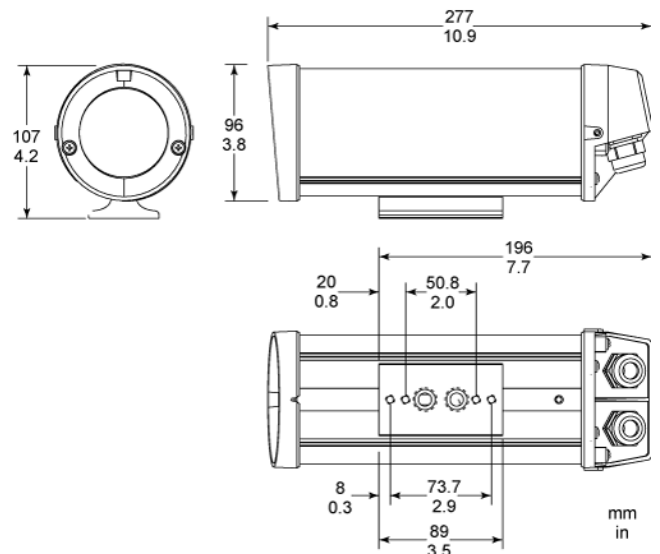
- ▶ For 1/4-inch, 1/3-inch and 1/2-inch CCD Cameras
- ▶ Feed-through Wiring Option
- ▶ Aluminum and Advanced Polymer Construction
- ▶ Easy Installation
- ▶ Full Camera Accessibility
- ▶ Cost Competitive
- ▶ Multiple Accessories Available

The LTC 9480/00 Housing is smartly styled for indoor use. This housing meets customers' demands for attractive housings that are both cost competitive and easy to install. They fit a wide range of 1/4-inch, 1/3-inch and 1/2-inch format CCD cameras and lenses.

Functions

The design of these housings is unique. Removal of two captive screws is all that is necessary to slide off the cover and totally expose the camera and lens. This allows access to all camera and lens controls when the camera is in its mounted position. Power and video cabling can be routed through liquid tight fittings in the bottom rear of the housing or can be routed through the mounting base. Feed-through mounts and J-mounts are available for these housings. The base of the housing permits mounting to pan/tilts, adjustable heads, and various wall mounts.

Installation/Configuration Notes



Dimensional Outline

Parts Included

Quantity	Component
1	LTC 9480/00 Indoor Housing

Technical Specifications**Electrical**

Maximum Camera Power Use with 24 VAC cameras not exceeding 30 W

Mechanical

Maximum Camera & Lens 68 W x 54 H x 197 L mm
(2.68 x 2.1 x 7.75 inch)

Cable Entry:

Two liquid tight rear fittings accept cable diameters from 4.3 mm to 11.9 mm (0.17 in to 0.47 inch). Two bottom feed-through liquid tight fittings accept cable diameters from 4.6 mm to 7.9 mm (0.18 in to 0.31 inch).

Window 3 mm (0.12 inch) thick UV-stabilized polycarbonate.

Housing Mounting Four (4) available 1/4-20 tapped holes. Only one set of two are required for mounting.

Camera Mounting Removable camera bracket. Mounted with two screws.

Construction Aluminum cover, aluminum base, aluminum mounting foot, polycarbonate faceplate, glass reinforced polycarbonate end caps, neoprene gasket, ethylene propylene seal, and all stainless steel hardware.

Finish Dark mushroom.

Dimensions See LTC9480/00 drawing.

Weight 1.4 kg (3 lb)

Environmental

Salt Atmosphere MIL-STD-810E, Method 509, Procedure 1.

Enclosure Protection Designed to NEMA-3R, IP55.

Electromagnetic Compatibility

Safety CE, UL, cUL

Accessories

LTC9080/00 Tamper Resistant Kit Includes 10 screws and insertion tool to permit tamper resistance for five housings.

LTC9215/00 Feed-through Mount Attached to the foot of the housings, allows wires to be fed-through the mount and into the foot of the housing.

LTC9219/01 Feed-through J-Mount Allows housing to be mounted from ceiling.

Suggested Applications**Camera Lens**

LTC 0335 Fixed/Varifocal

LTC 0355 Fixed/Varifocal

LTC 0435 Fixed/Varifocal

LTC 0455 Fixed/Varifocal

1. The camera mounting block must be removed.

Ordering Information

LTC 9480/00 Indoor Housing
for camera/lens to 175 mm (6.9 inch)

LTC9480/00

Europe, Middle East, Africa:
Bosch Security Systems B.V.
P.O. Box 80002
5600 JB Eindhoven, The Netherlands
Phone: + 31 40 2577 284
Fax: +31 40 2577 330
emea.securitysystems@bosch.com
www.boschsecurity.com

Americas:
Bosch Security Systems, Inc.
130 Perinton Parkway
Fairport, New York, 14450, USA
Phone: +1 800 289 0096
Fax: +1 585 223 9180
security.sales@us.bosch.com
www.boschsecurity.us

Asia-Pacific:
Bosch Security Systems Pte Ltd
38C Jalan Pemimpin
Singapore 577180
Phone: +65 6319 3450
Fax: +65 6319 3499
apr.securitysystems@bosch.com
www.boschsecurity.com

Represented by