



# LTC 9418 Series Outdoor Pan/Tilts



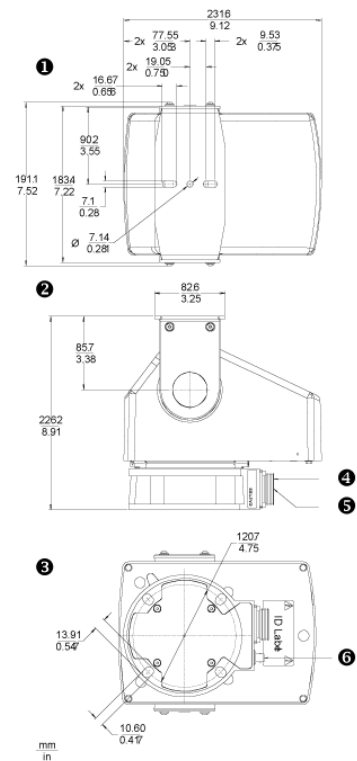
- ▶ **Maximum Load - 10 kg (22 lb)**
- ▶ **Low Profile, Compact Size**
- ▶ **Corrosion Resistant Hardware**
- ▶ **100% Duty Cycle Motors**
- ▶ **Upright or Inverted Operation**

The LTC 9418 Series Weatherproof Outdoor Pan/Tilts are low profile, compact units constructed with corrosion resistant hardware. These remote positioning devices are rated for a maximum load of 10 kg (22 lb) and are fully system compatible with CCD cameras, lenses, and housing combinations.

## Functions

The 100% duty cycle motors permit continuous operation on all models. Low speed worm drives and flexible motor mounts offer quiet, smooth motion. The use of impedance and overload protected motors, long life limit switches, and permanently lubricated bearings reduce maintenance and provide reliable operation.

## Installation/Configuration Notes



Dimensional Outline

- 1 Top view
- 2 Side view
- 3 Bottom view
- 4 Ground screw (on other side of multipin connector)
- 5 Multipin connector
- 6 BNC Connector

## Technical Specifications

### Electrical

Model No. <sup>1)</sup>	Rated Motor Voltage	Operational Voltage Range
LTC 9418/60	110 VAC, 60 Hz	108 to 132 VAC
LTC 9418/20	24 VAC, 60 Hz	21.6 to 26.4 VAC
LTC 9418/10	24 VAC, 50 Hz	21.6 to 26.4 VAC
LTC 9418/50	220 VAC, 50 Hz	207 to 253 VAC

### Connectors

Power Via 24-pin connector on base

Ground Screw connection for grounding on base

### Recommended Maximum Cable Lengths:

Model Voltage <sup>2)</sup>	Wire Size		Distance	
	Mm <sup>2</sup>	AWG	Feet	Meters
24 VAC	0.5	20	140	43
	1	18	230	70
	1.5	16	360	110
	2.5	14	590	180
115 VAC	4	12	940	287
	0.5	20	2200	671
	1	18	3500	1067
	1.5	16	5500	1677
230 VAC	2.5	14	9000	2744
	0.5	20	13400	4085
	1	18	21200	6463
	1.5	16	33300	10152
	2.5	14	54400	16585

1) The total power for all models, with both motors running, is 24 W.

2) Values calculated at 20° C (68° F) using stranded tinned copper wire, a common ground (neutral), and with both pan and tilt motors operating simultaneously.

## Mechanical

**Mounting** These units are designed for either upright or inverted installations. To maintain weatherproof integrity when mounting outdoors in an inverted position, the unit must be installed in a weatherproof enclosure (e.g., weatherproof domed housing), or a protected outside area. They can only be mounted upright or inverted; never horizontally.

<b>Pan Range (Movement in horizontal plane)</b>	0° to 345° maximum
<b>Pan Speed</b>	7°/seconds
<b>Tilt (Movement in vertical plane)</b>	+30° to -90° from horizontal
<b>Tilt Speed</b>	3.5°/s seconds
<b>Maximum Load</b>	149 kg-cm (129 lb-in) torque or 10 kg (22 lb) at a distance of 63.5 mm (2.5 inch) from the center of mass of the camera/lens/housing assembly to the center of the tilt table
<b>Construction</b>	Cast aluminum base and yoke, corrosion resistant plastic cover
<b>Finish</b>	Light gray
<b>Dimensions</b>	See Dimensional Outline
<b>Weight</b>	6.21 kg (13.7 lb)

## Environmental

<b>Temperature</b>	Operating: -30°C to +60°C Storage: -40° to +60°C
<b>Vibration</b>	3 g swept sine wave, 15 Hz to 2000 Hz
<b>Shock</b>	50 g, 11 ms, 1/2 sine
<b>Enclosure</b>	Tested to IP54 requirements (upright mount- ing). UL 50 Type 3/NEMA-3 design.

### Product Regulatory Compliance

#### Electromagnetic Compatibility (EMC)

Complies with FCC Part 15, ICES-003, and CE regulations

**Product Safety** Complies with CE regulations, UL, CSA, EN, and IEC Standards

## Ordering Information

LTC 9418/50 Weatherproof Standard Pan/Tilts Max. load 10 kg, 230 VAC, 50 Hz	LTC9418/50
LTC 9418/51 Weatherproof Pre-Position Pan/ Tilts Max. load 10 kg, 230 VAC, 50 Hz	LTC9418/51
LTC 9418/60 Weatherproof Standard Pan/Tilts Max. load 10 kg, 120 VAC, 60 Hz	LTC9418/60
LTC 9418/61 Weatherproof Pre-Position Pan/ Tilts Max. load 10 kg, 120 VAC, 60 Hz	LTC9418/61

### Accessories

LTC 9216/00 Versatile Mount for 16-inch, 45,3 kg (100 lb) max load, light gray finish	LTC9216/00
LTC 9214/00 Versatile Mount for 14-inch, 90.6 kg (200 lb) max load upright, light gray finish	LTC9214/00
LTC 9226/00 Versatile Mount for LTC 9216 & LTC 9222, 45,3 kg (100 lb) max load, corner mount bracket, light gray finish	LTC9226/00
LTC 9222/00 Versatile Mount for 22-inch, 90,6 kg (200 lb) max load, light gray finish	LTC9222/00
LTC 9227/00 Versatile Mount for LTC 9216 & 92220 , 45,3 kg (100 lb) max load, adjustable head, light gray finish	LTC9227/00
LTC 9228/00 Versatile Mount for LTC 9216/00 & LTC 9222/00 wall mounts, 45,3 kg (100 lb) max load, flange bracket	LTC9228/00
LTC 9224/00 Versatile Mount for 24-inch, 90.6 kg (200 lb) max load upright, light gray finish	LTC9224/00
LTC 9225/00 Pole Mount 45,3 kg (100 lb) max load, pole mount, light gray finish	LTC9225/00

## Ordering Information

LTC 9418/10 Weatherproof Standard Pan/Tilts Max Load 10 kg, 24 VAC, 50 Hz	LTC9418/10
LTC 9418/11 Weatherproof Pre-Position Pan/ Tilts Max. load 10 kg, 24 VAC, 50 Hz	LTC9418/11
LTC 9418/20 Weatherproof Standard Pan/Tilts Max. load 10 kg, 24 VAC, 60 Hz	LTC9418/20
LTC 9418/21 Weatherproof Pre-Position Pan/ Tilts Max. load 10 kg, 24 VAC, 60 Hz	LTC9418/21

**Europe, Middle East, Africa:**  
Bosch Security Systems B.V.  
P.O. Box 80002  
5600 JB Eindhoven, The Netherlands  
Phone: + 31 40 2577 284  
Fax: +31 40 2577 330  
emea.securitysystems@bosch.com  
www.boschsecurity.com

**Americas:**  
Bosch Security Systems, Inc.  
130 Perinton Parkway  
Fairport, New York, 14450, USA  
Phone: +1 800 289 0096  
Fax: +1 585 223 9180  
security.sales@us.bosch.com  
www.boschsecurity.us

**Asia-Pacific:**  
Bosch Security Systems Pte Ltd  
38C Jalan Pemimpin  
Singapore 577180  
Phone: +65 6319 3450  
Fax: +65 6319 3499  
apr.securitysystems@bosch.com  
www.boschsecurity.com

### Represented by