



**BOSCH**  
Invented for life

# LTC9330/00QD & LTC9331/00HD Series Indoor Housings

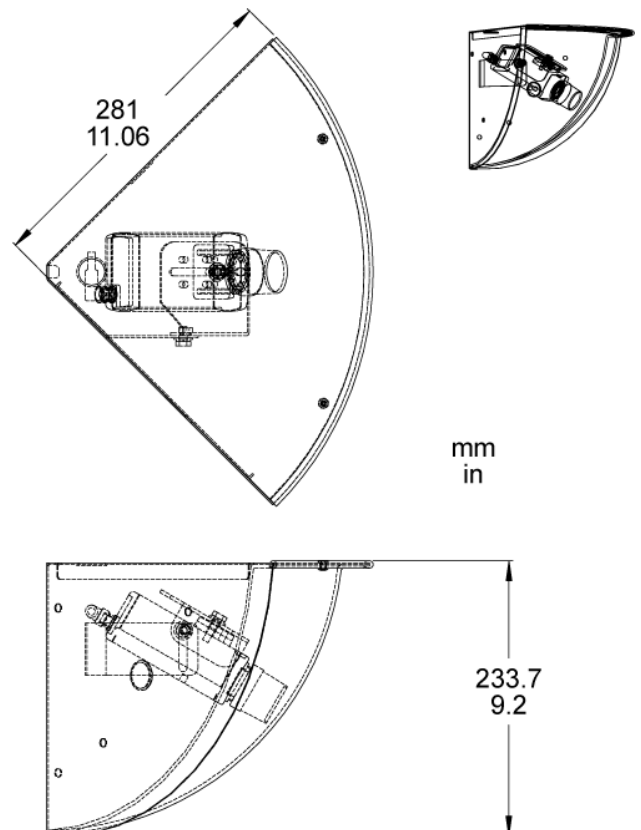


- ▶ For fixed camera installations
- ▶ High impact tinted acrylic domes
- ▶ Easy to install and service
- ▶ Minimum light reduction
- ▶ Camera brackets included
- ▶ Low profile design

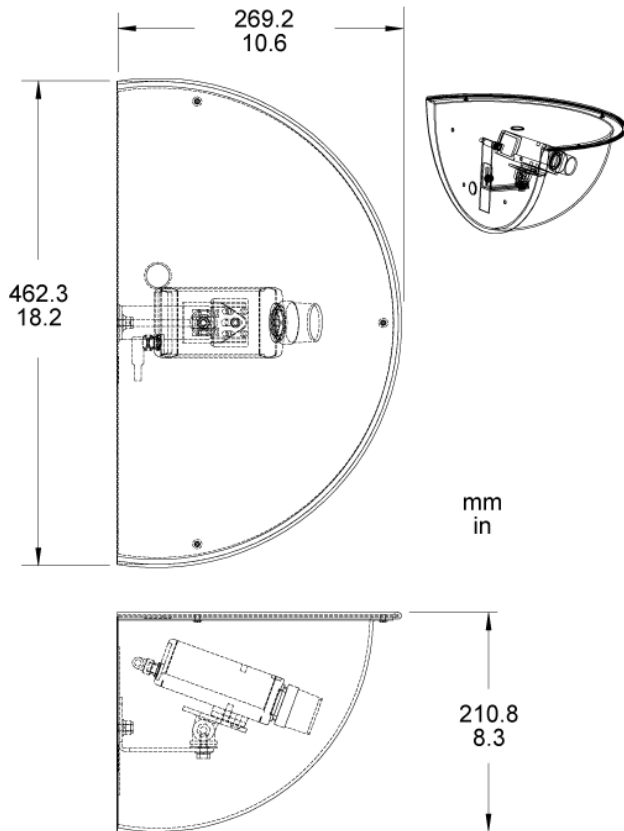
These discreet housing units are intended for use with fixed CCD cameras in corner or wall applications. Adjustable camera brackets are included. Available with a gold or silver accent ring, these units are ideal for any office, lobby, or hallway.

Both models are constructed on an 18 gauge steel mounting frame. A protective top cover allows them to be mounted away from the ceiling, while the adjustable mounting bracket maximizes viewing angles. The quarter-dome units are suitable for corners, while the half-dome units can be mounted on vertical surfaces.

## Installation/Configuration Notes



Dimensional Outline LTC 9330 / 00QD Quarter-dome



Dimensional Outline LTC 9331 / 00QD half-dome

**Note** These housings will accommodate the Bosch Dinion and Dinion<sup>XF</sup> cameras with lens sizes up to and including the Bosch 5-50 mm varifocal lenses:

**Technical Specifications**

**LTC 9330/00qd Quarter-Dome**

**Mechanical**

Maximum Camera & Lens	192.2 mm L x 68 mm W x 59 mm H (7.56 x 2.67 x 2.32 inch) Includes fully extended lens and rear camera connectors.
F/stop Loss	1.5
Housing Mounting	Mounts in corner
Camera Mounting	Adjustable 12 gauge steel camera bracket.
Construction/Finish	Acrylic dome on 18 gauge steel mounting frame. Both a gold and a silver accent trim is included.
Dimensions	See drawing
Weight	2.72 kg (6 lb)

**LTC 9331/00hd Half-Dome**

**Mechanical**

Maximum Camera & Lens (L x W x H)	192.2 mm x 68 mm x 59 mm (7.56 x 2.67 x 2.32 inch) Includes fully extended lens and rear camera connectors.
F/stop Loss	1.5
Housing Mounting	Mounts on vertical surface
Camera Mounting	Adjustable 12 gauge steel base and plastic adjustable head camera mount.
Construction/Finish	Acrylic dome on 18 gauge steel mounting frame. Both a gold and a silver accent trim is included.
Dimensions	See drawing
Weight	3.63 kg (8 lb)

**Parts Included**

Quantity	Component
1	LTC 9330/00QD / LTC9331/00HD Series Indoor Housing

**Ordering Information**

LTC 9330/00QD Housings Indoor for camera/lens up to 254 mm (10 inch), corner mount, tinted, quarter dome	LTC9330/00
LTC 9331/00HD Housings Indoor for camera/lens up to 450 mm (17.5 inch), wall mount, tinted, half dome	LTC9331/00

**Europe, Middle East, Africa:**  
 Bosch Security Systems B.V.  
 P.O. Box 80002  
 5600 JB Eindhoven, The Netherlands  
 Phone: + 31 40 2577 284  
 Fax: +31 40 2577 330  
 emea.securitysystems@bosch.com  
 www.boschsecurity.com

**Americas:**  
 Bosch Security Systems, Inc.  
 130 Perinton Parkway  
 Fairport, New York, 14450, USA  
 Phone: +1 800 289 0096  
 Fax: +1 585 223 9180  
 security.sales@us.bosch.com  
 www.boschsecurity.us

**Asia-Pacific:**  
 Bosch Security Systems Pte Ltd  
 38C Jalan Pemimpin  
 Singapore 577180  
 Phone: +65 6319 3450  
 Fax: +65 6319 3499  
 apr.securitysystems@bosch.com  
 www.boschsecurity.com

**Represented by**