



BOSCH
Invented for life

LTC 9312/00 & LTC 9412/00 Series Indoor Housings



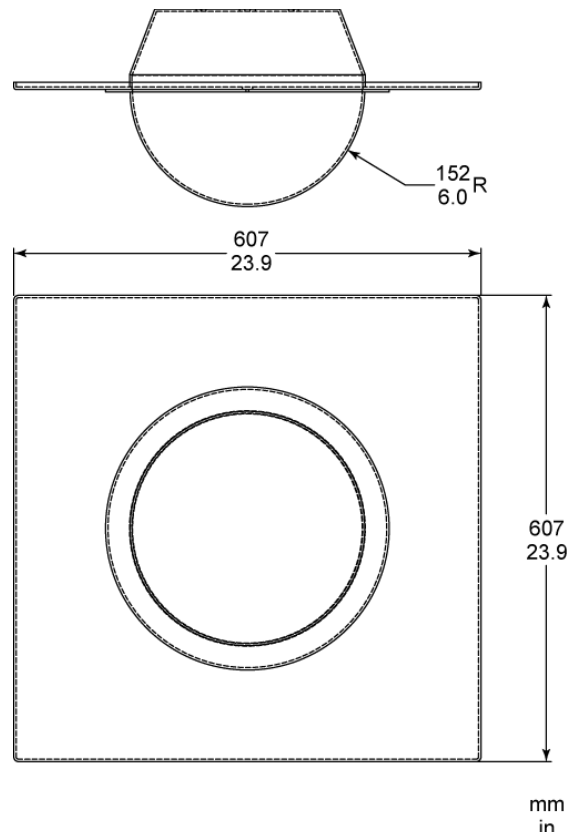
- ▶ 300 mm (12-inch) dome
- ▶ 360° Adjustable viewing direction
- ▶ Suspended ceiling & pendant models
- ▶ Covert inner liner conceals camera position
- ▶ Multiple camera capacity with accessories
- ▶ Includes adjustable swivel camera mount

The Bosch LTC 9312/00 and LTC 9412/00 are indoor, discreet, domed housings designed for fixed cameras. The LTC 9312/00 is a flush mounted dome for use in a suspended ceiling.

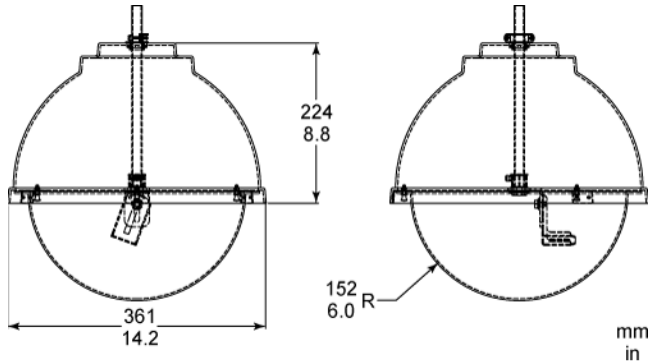
The LTC 9412/00 is a pendant mounted dome which can be suspended using 1.2-inch conduit or equivalent tubing. The domes allow 360° viewing, enabling the fixed camera to be mounted at any angle using the adjustable swivel head.

These units include a covert inner liner which hides the camera, thus concealing its position. As well, both the LTC 9312/00 and LTC 9412/00 can accommodate up to 2 cameras, providing additional viewing capabilities. These domes will accept 1.4 inch, 1.3 inch and 1.2-inch format CCD monochrome and color cameras.

Installation/Configuration Notes



Dimensional Outline



Dimensional Outline

Parts Included

Quant.	Component
1	LTC 9312/00 / LTC 9412/00 Series Indoor Housing

Technical Specifications

LTC 9312/00 Flush Mount

300 mm (12-inch) diameter indoor flush mounted dome with fixed camera bracket, dust cover, inner liner, and tinted lower dome.

Mechanical

Camera/Lens Size:	Maximum of 2 cameras, size 20.3 cm (8 inch) length.
Cable Entry	Through opening located on side of dome.
F/stop Loss	1 to 1.5
Mounting	Mounts in suspended ceiling.
Construction/Finish	Acrylic dome on metal housing.
Weight	7.25 kg (16 lb)
Accessories	
FM2	For up to two cameras

LTC 9412/00 Pendant Mount

300 mm (12-inch) diameter indoor pendant mounted dome with fixed camera bracket, inner liner, and tinted lower dome.

Mechanical

Camera/Lens Size	Maximum of 2 cameras, size 20.3 cm (8-inch) length.
Cable Entry	Through 1/2-inch conduit knockout through top of housing.
F/stop Loss	1 to 1.5
Mounting	Pendant mounted
Construction/Finish	Acrylic dome on metal housing
Weight	5.4 kg (12 lb)
Accessories	
MCB4	For up to two cameras

Ordering Information

LTC 9412/00 Housings Indoor for camera/lens up to 300 mm (12-inch), pendant mount, tinted	LTC9412/00
---	------------

Accessories

FM1 Camera Mount long, mounts extra cameras in LTC 9312/00 Dome housings	FM1
FM2 Camera Mount short, mounts extra cameras in LTC 9312/00 Dome housings	FM2
TC9311PM3T Installation Tool for TC9311PM3, LTC 9213 & LTC 9225 pole mount adapters	TC9311PM3T

Europe, Middle East, Africa:
Bosch Security Systems B.V.
P.O. Box 80002
5600 JB Eindhoven, The Netherlands
Phone: + 31 40 2577 284
Fax: +31 40 2577 330
emea.securitysystems@bosch.com
www.boschsecurity.com

Americas:
Bosch Security Systems, Inc.
130 Perinton Parkway
Fairport, New York, 14450, USA
Phone: +1 800 289 0096
Fax: +1 585 223 9180
security.sales@us.bosch.com
www.boschsecurity.us

Asia-Pacific:
Bosch Security Systems Pte Ltd
38C Jalan Pemimpin
Singapore 577180
Phone: +65 6319 3450
Fax: +65 6319 3499
apr.securitysystems@bosch.com
www.boschsecurity.com

Represented by