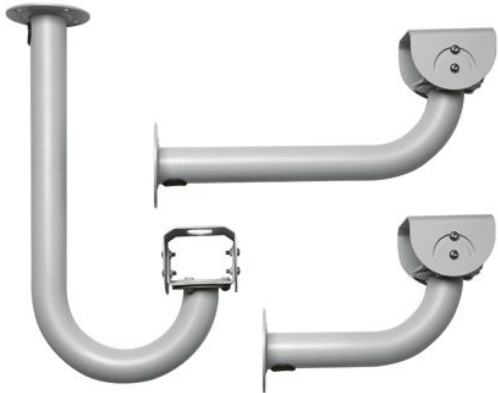




BOSCH
Invented for life

LTC 9215/00 (S), 9219/01 Indoor/Outdoor Mounts

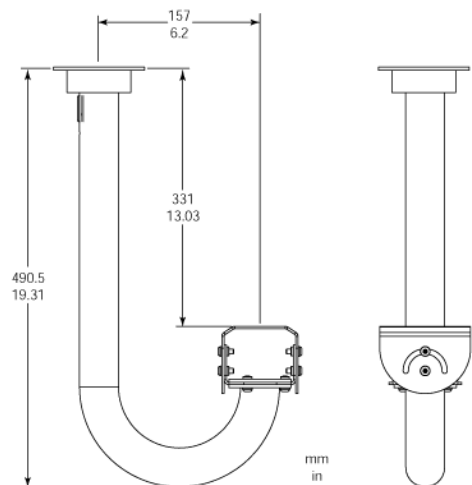


- ▶ Feed-through Design for Cable Management
- ▶ Maximum Load - 9kg (20lb)
- ▶ 360° Rotation, 180° Tilt
- ▶ Versatile Design
- ▶ Adjustable Mount Heads
- ▶ Lightweight
- ▶ Corrosion-resistant Finish

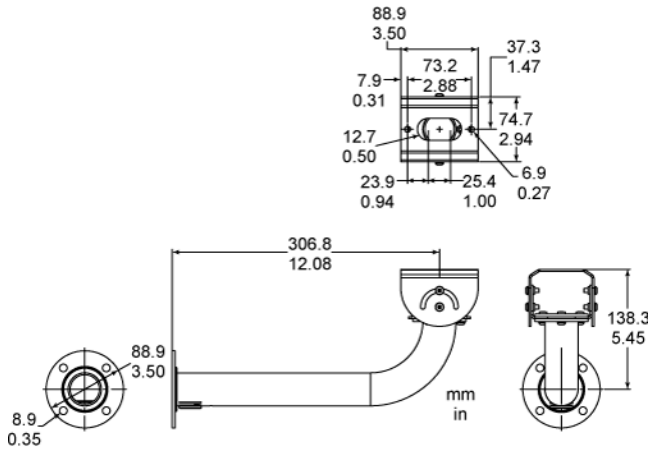
The LTC 9215/00, LTC 9215/00S, and LTC 9219/01 feed-through mounts are indoor/outdoor mounting units designed for fixed camera, or camera housing installations with up to a 9 kg (20lb) rated load. These models are made of lightweight aluminum and feature welded construction, providing an extremely rigid camera mount. In addition, the versatile swivel head rotates 360° and tilts 180° for maximum flexibility. The tubular feed-through design provides cable management from mounting head to mounting surface.

The smallest of the three mounts, LTC 9215/00S, has been designed specifically for the LTC 9480 Series housings, while the larger LTC 9215/00 and LTC 9219/01 can be used with the LTC 9480, HSG 9483, and LTC 9488 Series camera housings. All mounts come fully assembled.

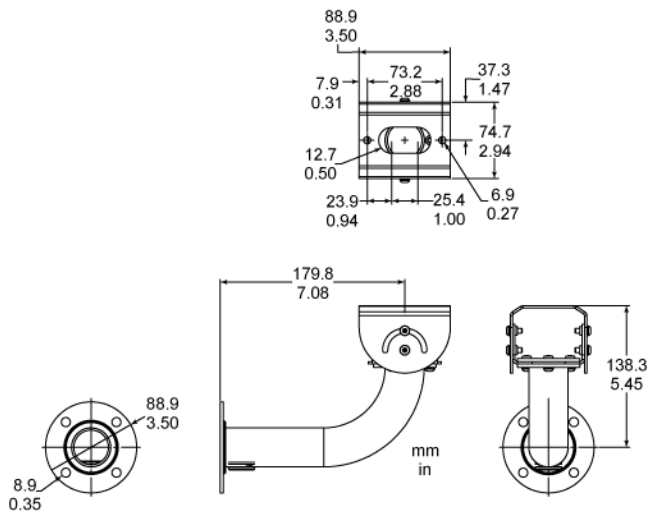
Installation/Configuration Notes



LTC 9219/01 Feed-through J-Mount



LTC 9215/00 Wall Bracket



LTC 9215 / 00S Short Wall Bracket

Technical Specifications

LTC 9215/00 30 mm (12 in) Indoor/Outdoor

Feed-through Wall Mount

Maximum Load	9 kg (20 lb)
Mounting Head	Adjustable 360° pan, 180° tilt
Finish	Light gray
Approx. Weight	0.4 kg (0.9 lb)

Accessory for LTC9215/00 LTC9213/01 Pole Mount Adapter

LTC 9215/00S 18 cm (7 in) Indoor/Outdoor

Feed-through Wall Mount

For use with LTC 9480 Series housings.

Maximum Load	9 kg (20 lb)
Mounting Head	Adjustable 360° pan, 180° tilt
Finish	Light gray
Approx. Weight	0.3 kg (0.7 lb)

Accessory for LTC9215/00S LTC9213/01 Pole Mount Adapter

LTC 9219/01 40 cm (15 in) Indoor/Outdoor

Feed-through Ceiling J-Mount

Maximum Load	9 kg (20 lb).
Mounting Head	Adjustable 360° pan, 180° tilt
Finish	Light gray
Approx. Weight	0.55 kg (1.2 lb)

Warning Mounts must be mounted as shown.

Ordering Information

LTC 9215/00 Wall Bracket for 12-inch, 9 kg (20 lb) max load, for 9380x & 948x series housings, feed-through ver- sion, light gray finish	LTC9215/00
LTC 9215/00S Short Wall Bracket for 7-inch, 9 kg (20 lb) max load, for 938x & 948x series housings, feed-through version, light gray finish	LTC9215/00S
LTC 9219/01 Feed-through J-Mount for 15-inch, 9 kg (20 lb) max load, for 938x & 948x series housings, light gray finish	LTC9219/01

Europe, Middle East, Africa:
Bosch Security Systems B.V.
P.O. Box 80002
5600 JB Eindhoven, The Netherlands
Phone: +31 40 2577 284
Fax: +31 40 2577 330
emea.securitysystems@bosch.com
www.boschsecurity.com

Americas:
Bosch Security Systems, Inc.
130 Perinton Parkway
Fairport, New York, 14450, USA
Phone: +1 800 289 0096
Fax: +1 585 223 9180
security.sales@us.bosch.com
www.boschsecurity.us

Asia-Pacific:
Bosch Security Systems Pte Ltd
38C Jalan Pemimpin
Singapore 577180
Phone: +65 6319 3450
Fax: +65 6319 3499
apr.securitysystems@bosch.com
www.boschsecurity.com

Represented by