



BOSCH
Invented for life

G3B Series BasicDome Economical Systems



- ▶ 16x optical zoom
- ▶ Integrated high performance color camera system
- ▶ High speed
- ▶ Affordable, yet feature-rich
- ▶ Easy to install
- ▶ Remotely configurable (Bilinx, Bi-Phase, RS-232)
- ▶ Sector and preset titling
- ▶ Patented AutoPivot and Auto Scaling
- ▶ Three-year warranty

The BasicDome camera is the economical high speed camera solution for indoor security applications. It offers a faster, a quieter and a smoother operation than ever before in a dome in this price range. The BasicDome is the perfect choice for those who want the assurance of the Bosch name, at an affordable price.

Functions

The BasicDome is designed to save you time as well as money. The same camera assembly easily locks into either the pendant mount or the in-ceiling box.

It includes an on-screen display for remote programming, so you can set it up correctly the first time, and easily optimize the camera under changing conditions. Even the BasicDome address is set remotely using Bosch FastAddress.

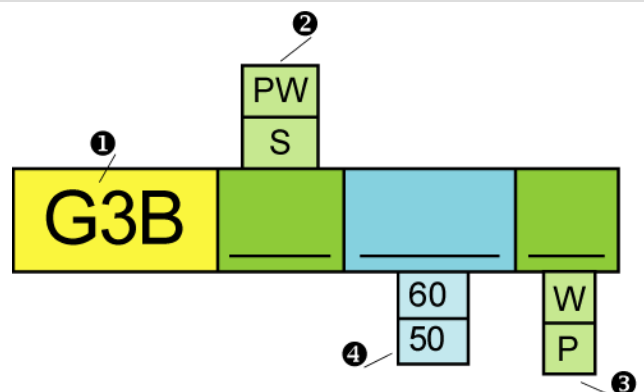
A rugged motor with fewer moving parts allows the BasicDome to use less power and to be extremely reliable, making it ideal for high-usage applications.

As with all AutoDome systems, the BasicDome includes our patented AutoPivot feature that automatically rotates and flips the camera, so tracking a subject under the dome is effortless. The BasicDome's design, flexibility, and versatility make this feature-rich camera an affordable and valuable addition to any security system.

Remote control, configuration, and updates can be performed over the video cable (coax or passive UTP) when using Bilinx-compatible control and configuration devices (such as the VP-CFGSFT configuration tool or LTC 8016 Allegiant Bilinx Interface).

The menu for these devices can display multiple languages, including: English, French, German, Spanish, Portuguese and Polish.

Installation/Configuration Notes



- | | |
|---|---|
| 1 AutoDome | 3 W-Wall ¹
P-Pipe ¹ |
| 2 PW-Pendant White
S-Suspended Ceiling | 4 60-24 VAC, 60 Hz NTSC
50-24 VAC, 50 Hz PAL |

1. Wall and pipe mount kits apply only to pendant models.

Technical Specifications

Electrical

Color Camera

Imager	Interline transfer CCD 1/4 in. image format
--------	--

Active Pixels

PAL Model (H x V)	752 x 582
NTSC Model (H x V)	768 x 494
Lens	16x zoom (4.1-65.6 mm) F1:1.4 to F1:3.0

Focus	Automatic with manual override
Iris	Automatic with manual override
Field of View	2.7° to 48°
Video Output	1.0 Vp-p, 75 Ohm
Gain	Off / auto
Synchronization	Line-Lock (-120° to 120° vertical phase adjust) or internal crystal
Aperture Correction	Horizontal and vertical
Digital Zoom	Not applicable

Horizontal Resolution

NTSC Model	470 TVL
PAL Model	460 TVL

Sensitivity

Sensitivity (Minimum Usable Video: 20 IRE)	0.5 lux (0.05 fc)
Sensitivity (Usable Video: 50 IRE)	0.8 lux (0.08 fc)
Signal-To-Noise Ratio	>50 dB
White Balance	2000 K to 10,000 K

Environmental

Design Rating	IP 31 (NEMA 2)
Operating Humidity	0%-90% non-condensing
Operating Temperature	-10°C to 50°C (14°F to 122°F)
Storage Temperature	-40°C to 60°C (-40°F to 140°F)

Incompatibility Statement

Bosch BasicDomes use the remote addressing feature, FastAddress, exclusively. There is no manual way to set the address using switches. Because of this, these domes are not compatible with Bosch systems that meet the following criteria:

Fixed Speed Keyboards

- LTC 8500/LTC 8600/LTC 8800 CPUs version 5.2 or older.
- Any LTC 8500/LTC 8600/LTC 8800 CPUs without two (2) 8-position dip switches.
- Any LTC 8600/LTC 8800 sold before 6/94 and LTC 8500 sold before 5/95.

Older LTC 8500/LTC 8600/LTC 8800 systems can be upgraded by replacement of CPU with current version. Changes to other system accessories may also be necessary when upgrading to variable speed (for example, keyboards, receiver/drivers, port expanders, etc.).

Mechanical

Weight	1.7 kg (3.7 lb)
Pan/Tilt	360° continuous, 0° to 90° tilt
Pre-position Speed	360°/sec., ±0.5° accuracy
Variable Speed	120°/sec.
Power Consumption	15 W

Miscellaneous

Camera Setup Control	Bi-phase or RS-232
Pre-Positions	99, each with 16-character titles
Guard Tour	<ul style="list-style-type: none"> Recorded tours - two (2), with a total duration of 15 minutes. All camera functions stored in memory.
Addressing	FastAddress remote addressing
Sectors/Titling	16 independent sectors with 16-character titles/sector.

Europe, Middle East, Africa:
 Bosch Security Systems B.V.
 P.O. Box 80002
 5600 JB Eindhoven, The Netherlands
 Phone: + 31 40 2577 284
 Fax: +31 40 2577 330
 emea.securitysystems@bosch.com
 www.boschsecurity.com

Americas:
 Bosch Security Systems, Inc.
 130 Perinton Parkway
 Fairport, New York, 14450, USA
 Phone: +1 800 289 0096
 Fax: +1 585 223 9180
 security.sales@us.bosch.com
 www.boschsecurity.us

Asia-Pacific:
 Bosch Security Systems Pte Ltd
 38C Jalan Pemimpin
 Singapore 577180
 Phone: +65 6319 3450
 Fax: +65 6319 3499
 apr.securitysystems@bosch.com
 www.boschsecurity.com

Represented by