


**BOSCH**

Invented for life

# EXMB.045 Dome Pendant Bracket

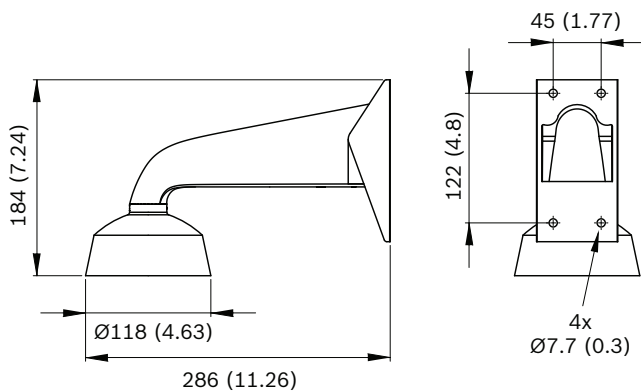


- ▶ Attractive cast metal design
- ▶ Hollow core for cable-free appearance
- ▶ Tough 4-bolt anchorage
- ▶ Compatible for various dome cameras

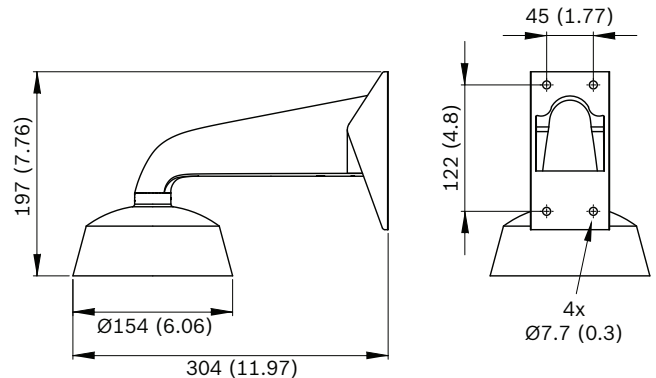
A heavy duty wall bracket for pendant mounting of Extreme CCTV dome cameras and LED infrared illuminators. Cast aluminum design allows for cable management and tough 4-bolt anchorage. The durable powder-coat finish resists corrosion to ensure a long life.

## Installation/Configuration Notes

### EXMB.045B(S) dimensions



### EXMB.045WZ dimensions



## Technical Specifications

Material	Cast Aluminum
Coating	Powder coated, black or silver
Weight (EXMB.045S/EXMB.045B)	1.13 kg (2.5 lb)
Weight (EXMB.045WZ)	1.6 kg (3.5 lb)
Max Load	34 kg (75 lbs)
Hardware	Included for mounting camera (Anchorage bolts not supplied)

**Ordering Information**

**EXMB.045B Dome Pendant Bracket**                      **EXMB.045B**  
Dome Pendant Bracket for EX40(N) and  
EX46LED, black

**EXMB.045S Dome Pendant Bracket**                      **EXMB.045S**  
Dome Pendant Bracket for EX40(N) and  
EX46LED, clear aluminum

**EXMB.045WZ Dome Pendant Bracket**                      **EXMB.045WZ**  
Dome Pendant Bracket for WZ45, silver

**Americas:**  
Bosch Security Systems, Inc.  
130 Perinton Parkway  
Fairport, New York, 14450, USA  
Phone: +1 800 289 0096  
Fax: +1 585 223 9180  
security.sales@us.bosch.com  
www.boschsecurity.us

**Europe, Middle East, Africa:**  
Bosch Security Systems B.V.  
P.O. Box 80002  
5600 JB Eindhoven, The Netherlands  
Phone: + 31 40 2577 284  
Fax: +31 40 2577 330  
emea.securitysystems@bosch.com  
www.boschsecurity.com

**Asia-Pacific:**                      **Represented by**  
Robert Bosch (SEA) Pte Ltd, Security Systems  
11 Bishan Street 21  
Singapore 573943  
Phone: +65 6258 5511  
Fax: +65 6571 2698  
apr.securitysystems@bosch.com  
www.boschsecurity.com