


**BOSCH**

Invented for life

# EX49N Series Conical No-Grip Dome Camera



- ▶ **Ultra vandal-resistant construction**
- ▶ **Conical No-Grip design impossible to grip or hang from, ideal for use in prisons and hospitals**
- ▶ **Virtually zero focus shift from color to IR modes**
- ▶ **12 m (40 ft) of evenly-distributed night vision**
- ▶ **Weather-sealed; designed to NEMA 4X**
- ▶ **Reliable performance in -40°C to +60°C (-40°F to +140°F) temperature range**

The EX49N Conical No-Grip domes are designed to be virtually impossible to grip or hang from. In high-risk areas, such as hospitals or prisons, the Integrated Day/Night cameras help prevent at-risk persons from self-inflicted harm. The EX49N is ultra vandal-resistant and engineered for reliability and 24/7 night vision performance to 12 m (40 ft).

Using a dual window IR-Cut and IR-Pass filter, the EX49N camera delivers brilliant color during day and sensitivity to infrared at night. Both ensure virtually zero focus shift between color and infrared modes, allowing sharp focus under all lighting conditions. The EX49N produces video signal characterized by low-smear, low-streak and excellent anti-blooming characteristics for effective active-infrared night vision.

The EX49N also uses a Video Patch Lead (VPL) for convenient installations. An optional Video Patch Connector (VPC) plugs into the VPL at the camera side. With this feature, installers can connect portable LCD monitors for instant video confirmation of camera positioning.

The EX49N features base construction of CNC machined anodized aluminum. Anodized aluminum is an incredibly durable material with high corrosion and heat resistance. Unlike other finishes, anodized aluminum has astounding chemical stability and will resist changes to color or appearance, even under heavy exposure to ultraviolet rays. The one-piece CNC fabrication process ensures the highest degree of precision and unyielding mechanical strength.

A polycarbonate dome of 3 mm thickness is utilized to protect internal camera components. Resistant to impact, fire, heat & UV, the polycarbonate dome is guaranteed unbreakable in the face of even the most vicious attacks. The weather-sealed EX49N is specified for performance in temperatures ranging from -40°C to +60°C (-40°F to +140°F).

## Functions

### Applications

- Prisons and correctional facilities
- Night-time surveillance
- Zero-Lux environments
- Retail, schools, hospitals
- Commercial sites
- Hotels and gated communities
- Transportation hubs
- Restaurants / bars
- Retail establishments

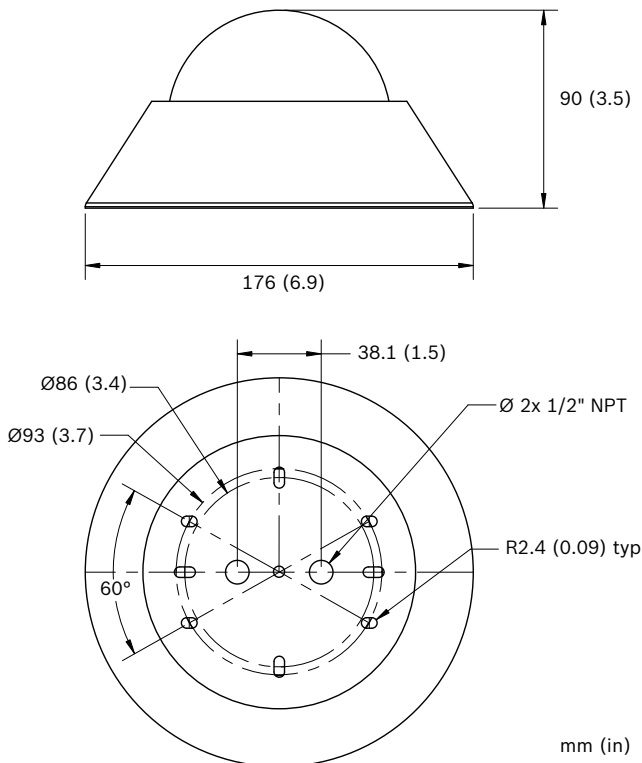
- Industrial parks
- Banks
- Hospitals
- Casinos
- Corporate campuses
- Schools, colleges and universities
- Vandal-prone locations

**Certifications and Approvals**

CSA Type 4X	Outdoor Weather Rating
CSA C22.2 No 0-M1991	General Electrical Requirements, Part II
CSA C22.2 No 1-M94	Audio, Video, and Similar Equipment
CSA C22.2 No 94-M91	Special Purpose Enclosures
UL Std No 50	Enclosures for Electrical Equipment
UL Std No 2044	Commercial CCTV Equipment
FCC Class B	Applicable Health Care Facility Requirements

**Installation/Configuration Notes**

**Dimensions**



**Technical Specifications**

CCD	MX4 extended day/night CCD
Effective Pixels NTSC	768 (H) x 494 (V)
Effective Pixels PAL	752 (H) x 582 (V)
Resolution	540 TVL color / 540 TVL mono
Daytime Sensitivity	0.02 Lux with F1.4 lens
Night-time Sensitivity	0.0 Lux, works in total darkness
S/N Ratio	Greater than 48 dB
Electronic Shutter	Up to 1/100,000 s
Gamma	0.45
Video Output	1 Vpp, 75 Ohm
Voltage Regulation	Dual VRB design for enhanced electronic stability
Voltage Supply	12-24 VAC (50/60 Hz) 12-24 VDC
Power Consumption	8 W Max.
Operational Range	-40°C to +60°C (-40°F to +140°F)
Humidity Range	Up to 85% relative humidity
Base Construction	CNC Anodized Aluminum
Overall Dimension (including bottom gasket)	176 x 91 mm (6.93 x 3.58 in)
Dome Construction	4 in. Semi-Spherical Polycarbonate
Dome Thickness	3 mm (1/8 in)
Gimbal	Pan-Tilt-Twist for easy installation
Day-Night Switching	Photocell-controlled, automatic
LEDs	High-efficiency, spatially optimized, 850 nm or 940 nm
Number of LEDs	18
Weight	1.4 kg (3 lbs)

## Ordering Information

<b>EX49MNX803BC-N Conical No-Grip Dome Camera</b> Extreme dome, extended day/night, 540 TVL, 2.9 mm lens, 850 nm IR, clear dome, black base, NTSC	<b>EX49MNX803BC-N</b>
<b>EX49MNX803BC-P Conical No-Grip Dome Camera</b> Extreme dome, extended day/night, 540 TVL, 2.9 mm lens, 850 nm IR, clear dome, black base, PAL	<b>EX49MNX803BC-P</b>
<b>EX49MNX803BH-N Conical No-Grip Dome Camera</b> Extreme dome, extended day/night, 540 TVL, 2.9 mm lens, 850 nm IR, tint dome, black base, NTSC	<b>EX49MNX803BH-N</b>
<b>EX49MNX803BH-P Conical No-Grip Dome Camera</b> Extreme dome, extended day/night, 540 TVL, 2.9 mm lens, 850 nm IR, tint dome, black base, PAL	<b>EX49MNX803bh-p</b>
<b>EX49MNX903BC-N Conical No-Grip Dome Camera</b> Extreme dome, extended day/night, 540 TVL, 2.9 mm lens, 940 nm IR, clear dome, black base, NTSC	<b>EX49MNX903BC-N</b>
<b>EX49MNX903BC-P Conical No-Grip Dome Camera</b> Extreme dome, extended day/night, 540 TVL, 2.9 mm lens, 940 nm IR, clear dome, black base, PAL	<b>EX49MNX903BC-P</b>
<b>EX49MNX903BH-N Conical No-Grip Dome Camera</b> Extreme dome, extended day/night, 540 TVL, 2.9 mm lens, 940 nm IR, tint dome, black base, NTSC	<b>EX49MNX903BH-N</b>
<b>EX49MNX903BH-P Conical No-Grip Dome Camera</b> Extreme dome, extended day/night, 540 TVL, 2.9 mm lens, 940 nm IR, tint dome, black base, PAL	<b>EX49MNX903BH-P</b>
<b>EX49MNX806BC-N Conical No-Grip Dome Camera</b> Extreme dome, extended day/night, 540 TVL, 6 mm lens, 850 nm IR, clear dome, black base, NTSC	<b>EX49MNX806BC-N</b>
<b>EX49MNX806BC-P Conical No-Grip Dome Camera</b> Extreme dome, extended day/night, 540 TVL, 6 mm lens, 850 nm IR, clear dome, black base, PAL	<b>EX49MNX806BC-P</b>
<b>EX49MNX806BH-N Conical No-Grip Dome Camera</b> Extreme dome, extended day/night, 540 TVL, 6 mm lens, 850 nm IR, tint dome, black base, NTSC	<b>EX49MNX806BH-N</b>

## Ordering Information

<b>EX49MNX806BH-P Conical No-Grip Dome Camera</b> Extreme dome, extended day/night, 540 TVL, 6 mm lens, 850 nm IR, tint dome, black base, PAL	<b>EX49MNX806BH-P</b>
<b>EX49MNX906BC-N Conical No-Grip Dome Camera</b> Extreme dome, extended day/night, 540 TVL, 6 mm lens, 940 nm IR, clear dome, black base, NTSC	<b>EX49MNX906BC-N</b>
<b>EX49MNX906BC-P Conical No-Grip Dome Camera</b> Extreme dome, extended day/night, 540 TVL, 6 mm lens, 940 nm IR, clear dome, black base, PAL	<b>EX49MNX906BC-P</b>
<b>EX49MNX906BH-N Conical No-Grip Dome Camera</b> Extreme dome, extended day/night, 540 TVL, 6 mm lens, 940 nm IR, tint dome, black base, NTSC	<b>EX49MNX906BH-N</b>
<b>EX49MNX906BH-P Conical No-Grip Dome Camera</b> Extreme dome, extended day/night, 540 TVL, 6 mm lens, 940 nm IR, tint dome, black base, PAL	<b>EX49MNX906BH-P</b>
<b>EX49MNX803AC-N Conical No-Grip Dome Camera</b> Extreme dome, extended day/night, 540 TVL, 2.9 mm lens, 850 nm IR, clear dome, clear aluminum base, NTSC	<b>EX49MNX803AC-N</b>
<b>EX49MNX803AC-P Conical No-Grip Dome Camera</b> Extreme dome, extended day/night, 540 TVL, 2.9 mm lens, 850 nm IR, clear dome, clear aluminum base, PAL	<b>EX49MNX803AC-P</b>
<b>EX49MNX803AH-N Conical No-Grip Dome Camera</b> Extreme dome, extended day/night, 540 TVL, 2.9 mm lens, 850 nm IR, tint dome, clear aluminum base, NTSC	<b>EX49MNX803AH-N</b>
<b>EX49MNX803AH-P Conical No-Grip Dome Camera</b> Extreme dome, extended day/night, 540 TVL, 2.9 mm lens, 850 nm IR, tint dome, clear aluminum base, PAL	<b>EX49MNX803AH-P</b>
<b>EX49MNX903AC-N Conical No-Grip Dome Camera</b> Extreme dome, extended day/night, 540 TVL, 2.9 mm lens, 940 nm IR, clear dome, clear aluminum base, NTSC	<b>EX49MNX903AC-N</b>
<b>EX49MNX903AC-P Conical No-Grip Dome Camera</b> Extreme dome, extended day/night, 540 TVL, 2.9 mm lens, 940 nm IR, clear dome, clear aluminum base, PAL	<b>EX49MNX903AC-P</b>

## Ordering Information

<b>EX49MNX903AH-N Conical No-Grip Dome Camera</b> Extreme dome, extended day/night, 540 TVL, 2.9 mm lens, 940 nm IR, tint dome, clear aluminum base, NTSC	<b>EX49MNX903AH-N</b>
<b>EX49MNX903AH-P Conical No-Grip Dome Camera</b> Extreme dome, extended day/night, 540 TVL, 2.9 mm lens, 940 nm IR, tint dome, clear aluminum base, PAL	<b>EX49MNX903AH-P</b>
<b>EX49MNX806AC-N Conical No-Grip Dome Camera</b> Extreme dome, extended day/night, 540 TVL, 6 mm lens, 850 nm IR, clear dome, clear aluminum base, NTSC	<b>EX49MNX806AC-N</b>
<b>EX49MNX806AC-P Conical No-Grip Dome Camera</b> Extreme dome, extended day/night, 540 TVL, 6 mm lens, 850 nm IR, clear dome, clear aluminum base, PAL	<b>EX49MNX806AC-P</b>
<b>EX49MNX806AH-N Conical No-Grip Dome Camera</b> Extreme dome, extended day/night, 540 TVL, 6 mm lens, 850 nm IR, tint dome, clear aluminum base, NTSC	<b>EX49MNX806AH-N</b>
<b>EX49MNX806AH-P Conical No-Grip Dome Camera</b> Extreme dome, extended day/night, 540 TVL, 6 mm lens, 850 nm IR, tint dome, clear aluminum base, PAL	<b>EX49MNX806AH-P</b>
<b>EX49MNX906AC-N Conical No-Grip Dome Camera</b> Extreme dome, extended day/night, 540 TVL, 6 mm lens, 940 nm IR, clear dome, clear aluminum base, NTSC	<b>EX49MNX906AC-N</b>
<b>EX49MNX906AC-P Conical No-Grip Dome Camera</b> Extreme dome, extended day/night, 540 TVL, 6 mm lens, 940 nm IR, clear dome, clear aluminum base, PAL	<b>EX49MNX906AC-P</b>
<b>EX49MNX906AH-N Conical No-Grip Dome Camera</b> Extreme dome, extended day/night, 540 TVL, 6 mm lens, 940 nm IR, tint dome, clear aluminum base, NTSC	<b>EX49MNX906AH-N</b>
<b>EX49MNX906AH-P Conical No-Grip Dome Camera</b> Extreme dome, extended day/night, 540 TVL, 6 mm lens, 940 nm IR, tint dome, clear aluminum base, PAL	<b>EX49MNX906AH-P</b>

## Ordering Information

Accessories	
<b>EX-VPC Video Patch Connector</b> Video patch connector for EX40 and EX49	<b>EX-VPC</b>
<b>EX-Dome-C</b> Clear replacement dome for EX40/49	<b>EX-Dome-C</b>
<b>EX-Dome-H</b> Half-tint replacement dome for EX40/49	<b>EX-Dome-H</b>
<b>UPA-2430-60 Power Supply</b> 120 VAC, 60 Hz, 24 VAC, 30 VA Out	<b>UPA-2430-60</b>
<b>UPA-2420-50 Power Supply</b> 220 VAC, 50 Hz, 24 VAC, 20 VA Out	<b>UPA-2420-50</b>

**Americas:**  
Bosch Security Systems, Inc.  
130 Perinton Parkway  
Fairport, New York, 14450, USA  
Phone: +1 800 289 0096  
Fax: +1 585 223 9180  
security.sales@us.bosch.com  
www.boschsecurity.us

**Europe, Middle East, Africa:**  
Bosch Security Systems B.V.  
P.O. Box 80002  
5600 JB Eindhoven, The Netherlands  
Phone: +31 40 2577 284  
Fax: +31 40 2577 330  
emea.securitysystems@bosch.com  
www.boschsecurity.com

**Asia-Pacific:**  
Robert Bosch (SEA) Pte Ltd, Security Systems  
11 Bishan Street 21  
Singapore 573943  
Phone: +65 6258 5511  
Fax: +65 6571 2698  
apr.securitysystems@bosch.com  
www.boschsecurity.com