



EX30 Infrared Imager



- ▶ **Daytime color, active-infrared night vision**
- ▶ **Black Diamond infrared technology**
- ▶ **Powerful, precision engineered optics**
- ▶ **Detection-level imaging to 100 m (350 ft)**
- ▶ **Packed with installer-friendly enhancements**

The EX30 is a versatile single-sensor Infrared Imager delivering outstanding color performance by day and award-winning night vision for critical 24/7 surveillance applications.

Building from its patented Integrated Day-Night (IDN) design, the new EX30 Infrared Imager combines precision-engineered performance optics - including a 5 to 50 mm IR-corrected lens - and ground-breaking Black Diamond technology for High-Fidelity night vision imaging, the most advanced level of night vision performance available today.

Capable of fulfilling all four DCRI surveillance levels (Detection, Classification, Recognition and Identification), the EX30 provides effective 24/7 imaging for critical applications including perimeter surveillance, high value asset protection and force protection.

Functions

Black Diamond High Fidelity Night Vision

- Award-winning Black Diamond technology eliminates hotspot foregrounds and underexposed backgrounds
- Detection-level imaging at 100 m (350 ft)
- Enables effective 24/7 operation across a wide variety of surveillance applications

Precision Engineered Performance Optics

- 540 TVL Hi-resolution day/night CCD for vivid daytime color and outstanding night vision performance

- 5 to 50 mm IR-corrected lens delivers a wide surveillance range from 45 m (150 ft) to 100 m (350 ft) for maximum imaging versatility
- IR-corrected lens eliminates focus shift and IR bleed

Installer-Friendly Features

- Sliding optical chassis for fast, easy optical adjustments
- 5 to 50 mm varifocal, auto-iris lens
- NEMA4 weather-sealed housing
- Adjustable infrared intensity and photocell sensitivity
- Cable-managed wall bracket

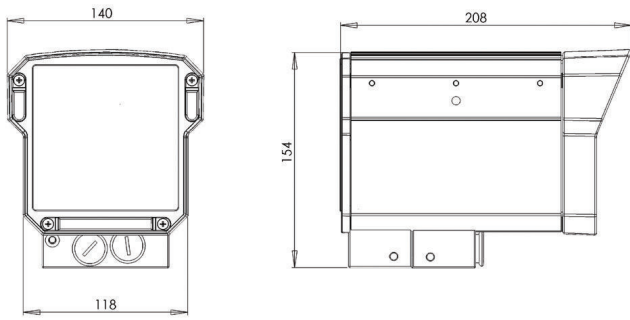
DCRI Performance

Our CCTV Infrared Imagers are tested for performance to DCRI surveillance levels. Conformance to these criteria ensure that our cameras deliver outstanding video at any one of the four levels of surveillance shown below, assuring security specifiers the broadest range of capability.

Parameters at 850 nm

Detection	100 m (350 ft)
Classification	90 m (300 ft)
Recognition	60 m (200 ft)
Identification	45 m (150 ft)

Installation/Configuration Notes



Technical Specifications

Video

EX30 Infrared Imager

Sensor	MX4 Extended Hi-Resolution Day/Night CCD
Effective Pixels (H x V)	NTSC: 768 x 494
Effective Pixels (H x V)	PAL: 752 x 582
Resolution	540 TVL color / 540 TVL monochrome
S/N Ratio	Greater than 48 dB (AGC off)
Daytime Sensitivity	0.02 lux at F1.4
Night time Sensitivity	0.0 lux with infrared (B/W)
Lens	IR corrected 5 to 50 mm varifocal auto-iris, DC drive
Gamma	0.45
Video Output	1 Vpp, 75 ohm
Day-Night Switching	Photocell-controlled, automatic
Photocell	Automatic, sensitivity adjustable
LEDs	Black Diamond High-Fidelity Infrared, intensity adjustable
Wavelength	850 nm (semi-covert) or *940 nm (covert)

Electrical

Voltage Supply	12 VDC or 24 VAC
Power Consumption	36 W max

Mechanical

Construction	Robust aluminum casting
Finish	Baked enamel finish, black standard
Bracket	Cable managed wall bracket included
Dimensions	131 x 139 x 207 mm (H x W x D) 5.2 x 5.5 x 8.2 in (H x W x D)
Weight	1.4 kg (3.4 lb)

Environmental

Operation Temperature Range -50 °C to +50 °C (-58 °F to +122 °F)

Environment NEMA4

Note *40% distance loss from stated distances at 850 nm

Ordering Information

EX30MNX8V0550B-N Infrared Imager **EX30MNX8V0550B-N**
Day/Night with mech filter, VA5-50 mm, 850 nm BlackDiamond 40 or 80 deg, black, NTSC

EX30MNX8V0550B-P Infrared Imager **EX30MNX8V0550B-P**
Day/Night with mech filter, VA5-50 mm, 850 nm BlackDiamond 40 or 80 deg, black, PAL

EX30MNX9V0550B-N Infrared Imager **EX30MNX9V0550B-N**
Day/Night with mech filter, VA5-50 mm, 940 nm BlackDiamond 40 or 80 deg, black, NTSC

EX30MNX9V0550B-P Infrared Imager **EX30MNX9V0550B-P**
Day/Night with mech filter, VA5-50 mm, 940 nm BlackDiamond 40 to 80 deg, black, PAL

EX30MNX8V0550W-N Infrared Imager **EX30MNX8V0550W-N**
Day/Night with mech filter, VA5-50 mm, 850 nm BlackDiamond, white, NTSC

EX30MNX8V0550W-P Infrared Imager **EX30MNX8V0550W-P**
Day/Night with mech filter, VA5-50 mm, 850 nm BlackDiamond, white, PAL

EX30MNX9V0550W-N Infrared Imager **EX30MNX9V0550W-N**
Day/Night with mech filter, VA5-50 mm, 940 nm BlackDiamond, white, NTSC

EX30MNX9V0550W-P Infrared Imager **EX30MNX9V0550W-P**
Day/Night with mech filter, VA5-50 mm, 940 nm BlackDiamond, white, PAL

Accessories

EXPS.009 VAC Power Supply **EXPS.009**
Power supply 24 VAC, 2500 mA RoHS

EXMB.015B Pole Mount Adapter Bracket **EXMB.015B**
Pole Mount Adapter, black

EXMB.015W Pole Mount Adapter **EXMB.015w**
Pole Mount Adapter, White

EXMB.017B Wall Mount Adapter Bracket **EXMB.017**
Wall Mount Adapter, Black

EXMB.017W Wall Mount Adapter Bracket **EXMB.017W**
Wall Mount Adapter, White

EXMB.029B Ceiling Mount Bracket **EXMB.029B**
Ceiling Mount Bracket, Black

EXMB.029W Ceiling Mount Bracket **EXMB.029W**
Ceiling Mount Bracket, white

Ordering Information

EXMB.061 Pole Top Bracket Stainless Pole Top Bracket	EXMB.061
--	-----------------

EXSH.01B Sunhood Sunhood, black	EXSH01B
---	----------------

EXSH.01W Sunhood Sunhood, white	EXSH01W
---	----------------

PSU-230-24 Power Supply Power Supply, 230 VAC / 24 VAC, 50 W	PSU230-24
--	------------------

Americas:
Bosch Security Systems, Inc.
130 Perinton Parkway
Fairport, New York, 14450, USA
Phone: +1 800 289 0096
Fax: +1 585 223 9180
security.sales@us.bosch.com
www.boschsecurity.us

Europe, Middle East, Africa:
Bosch Security Systems B.V.
P.O. Box 80002
5600 JB Eindhoven, The Netherlands
Phone: + 31 40 2577 284
Fax: +31 40 2577 330
emea.securitysystems@bosch.com
www.boschsecurity.com

Asia-Pacific:
Robert Bosch (SEA) Pte Ltd, Security Systems
38C Jalan Pemimpin
Singapore 577180
Phone: +65 6319 3453
Fax: +65 6319 3499
apr.securitysystems@bosch.com
www.boschsecurity.com

Represented by