



## EX27D Desert Cameras



- ▶ **Optimized and tested for hot desert conditions to 65°C (149°F)**
- ▶ **Reflective sun hood prevents glare in sunny conditions**
- ▶ **Weather-sealed housing, dust-tight and sandstorm-ready**
- ▶ **Exceptional daytime color reproduction and outstanding night-time performance under infrared**
- ▶ **Easy access lens and camera OSD adjustments**

The EX27D is specifically designed for day/night surveillance in hot, dusty, desert conditions. An optimized heat-sinking design protects the camera from internal overheating caused by solar heat gain. The EX27D delivers reliable performance to 65°C (149°F).

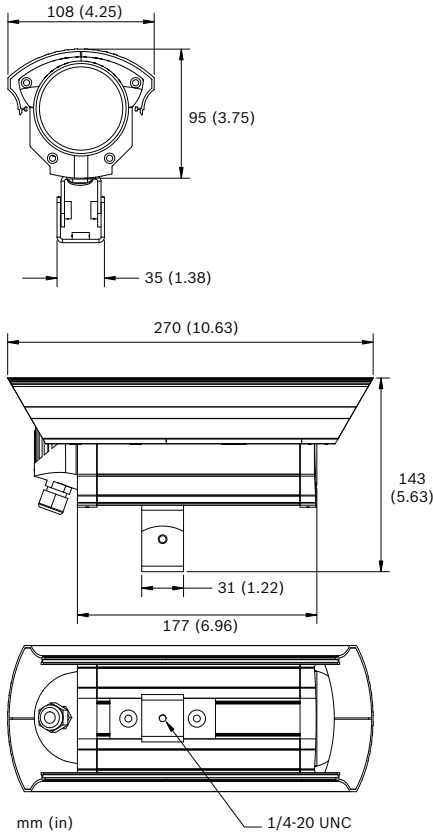
The EX27D Desert camera incorporates MFP (Mechanical Filter with Photocell) technology. Using dual-window mechanical filter technology, the EX27D delivers accurate color during the day and outstanding infrared sensitivity at night.

The EX27D CCD technology provides outstanding spectral response in both visible and near-infrared regions. The high-resolution sensor has low-smear, low-streak and excellent anti-blooming characteristics.

Using minimal mechanical moving parts, the EX27D is weather sealed and tested to perform in hot desert conditions. Combined with infrared illuminators, the EX27D is ideal for day and night surveillance in desert and tropical environments.

**Installation/Configuration Notes**

**Dimensions**



**Technical Specifications**

**Video**

Sensor	MX4 Hi-Res Extended Day/Night CCD
Filter	Dual-window mechanical type, IR Pass / IR Cut
Day-Night Switching	Photocell-controlled, automatic
Photocell	Automatic, sensitivity adjustable
Controls	OSD with joystick operation
Resolution	540 TVL color / 540 TVL mono-chrome
Effective Pixels NTSC (H x V)	768 x 494
Effective Pixels PAL (H x V)	752 x 582
Varifocal Lens Options	Varifocal auto-iris 5-50 mm IR-corrected lens
Signal Processing	Digital Signal Processing (DSP)
Output Signal	1 Vpp composite video, 75 ohm
Daytime Sensitivity	0.02 Lux with F1.4 lens
Night-Time Sensitivity	0 lux with infrared (B/W)

Electronics Iris	1/60 to 1/100,000 (NTSC) 1/50 to 1/100,000 (PAL)
S/N Ratio	Greater than 48 dB (AGC off)
Gamma	0.45
Gain Control	AGC

**Mechanical**

Construction	Robust aluminum casting / extrusion
Weight	1.4 kg (3.1 lbs)
Overall Dimension (H x W x D)	89 x 91 x 222 mm (3.5 x 3.6 x 8.7 in.)
Finish	White powder-coated finish
Mount	Double U-mount supplied with 1/4 in. -20
Sun hood	included

**Electrical**

Voltage	12 to 24 AC/DC
Consumption	4.5 W max
Connection	2.0 m (6.5 ft) composite cable for power and video

**Environmental**

Operational Temperature	-50°C to +65°C (-58°F to +149°F)
Storage Temperature	-50°C to +80°C (-58°F to +176°F)
Environment	IP66/NEMA 4X compliant

**Ordering Information**

<b>EX27DMX4V0550W-N Desert Series Camera</b> Desert cam, 1/3 in. extended day/night, 5-50 mm lens, NTSC, white	<b>EX27DMX4V0550 W-N</b>
<b>EX27DMX4V0550W-P Desert Series Camera</b> Desert cam, 1/3 in. extended day/night, 5-50 mm lens, PAL, white	<b>EX27DMX4V0550 W-P</b>
<b>Accessories</b>	
<b>MBE-27W White Bracket Arm Mount</b> White mounting bracket for use with an EX27 Series All-Weather Camera	<b>MBE-27W</b>
<b>MBE-15W White Pole Mount Adapter Plate</b> White adapter plate used to attach an MBE-27 or MBE-28 along with an EXMB.020B Heavy Duty L Bracket to a pole.	<b>MBE-15W</b>
<b>MBE-17W White Wall Mount Adapter Plate</b> White adapter plate used to attach an MBE-27 or MBE-28 along with an EXMB.020B Heavy Duty L Bracket to a wall.	<b>MBE-17W</b>
<b>EXMB.020B L-bracket</b> L-Bracket Only, Heavy Duty, black	<b>EXMB.020B</b>
<b>UPA-2430-60 Power Supply</b> 120 VAC, 60 Hz, 24 VAC, 30 VA Out	<b>UPA-2430-60</b>

**Ordering Information**

**UPA-2420-50 Power Supply**  
220 VAC, 50 Hz, 24 VAC, 20 VA Out

**UPA-2420-50**

**Americas:**

Bosch Security Systems, Inc.  
130 Perinton Parkway  
Fairport, New York, 14450, USA  
Phone: +1 800 289 0096  
Fax: +1 585 223 9180  
security.sales@us.bosch.com  
www.boschsecurity.us

**Europe, Middle East, Africa:**

Bosch Security Systems B.V.  
P.O. Box 80002  
5600 JB Eindhoven, The Netherlands  
Phone: + 31 40 2577 284  
Fax: +31 40 2577 330  
emea.securitysystems@bosch.com  
www.boschsecurity.com

**Asia-Pacific:**

Robert Bosch (SEA) Pte Ltd, Security Systems  
11 Bishan Street 21  
Singapore 573943  
Phone: +65 6571 2808  
Fax: +65 6571 2699  
apr.securitysystems@bosch.com  
www.boschsecurity.asia

**Represented by**