

DSA E-Series 2TB

www.boschsecurity.com



BOSCH
Invented for life



- ▶ Scale-out network storage solution: controller unit with 12 internal HDDs with up to 192 HDDs via state-of-the-art SAS interface-connected expansion units
- ▶ Configurable hardware-based RAID protection (RAID-5 or RAID-6) for highest system performance
- ▶ Redundant hot-swappable power supplies and cooling fans
- ▶ Two 10 Gigabit Ethernet ports for highest speed iSCSI connectivity
- ▶ Fully modular design for ease of service

DSA E-Series represents the next generation of iSCSI digital video disk arrays by Bosch. They are state-of-the-art platforms designed for the security industries most demanding digital video storage applications to manage relentlessly growing digital video data. Since HD IP cameras and encoders have entered the surveillance market, the ever growing need for high bandwidth and low complexity of the storage infrastructure are the main challenges. The new DSA E-Series is the answer to it.

System overview

DSA E-Series is based on one 2U controller unit with 12 internal 3.5", 7.2 K, SAS (Serial Attached SCSI), enterprise HDDs (Nearline SAS).

The controller unit is available as a standard Simplex Controller configuration for high-capacity and extreme performance requirements.

This storage system is a high-performance solution designed with robust flexibility that makes it a great fit for wide-ranging video surveillance requirements. Its balanced performance is designed for supporting high bandwidth and I/O intensive workloads.

The DSA E-Series' disk shelf option with a standard 2U expansion unit with 12 x 3.5", 7.2 K, SAS, enterprise HDD enable custom configurations that can be optimized for most standard mid- to enterprise-environments.

And the DSA E-Series' fully redundant I/O paths, advanced protection features, and extensive diagnostic capabilities deliver high levels of availability, integrity, and security.

Functions

DSA E-Series is the co-branded E2600 series from NetApp. It is a scale-out network storage solution that provides security, highest "in-the-box" scalability, peace-of-mind data protection, and simplified management of all your video data. NetApp pioneered the iSCSI protocol years ago and offers with the new E2600 product line a high-end product for the physical security market.

DSA E-Series in Simplex Controller configuration allows connecting up to seven disk shelf expansion units (12 x HDDs per expansion shelf) to one Single Controller base unit.

It is a fully featured RAID protected disk array which provides RAID-5 protection for capacity-oriented environments and RAID-6 protection for availability-oriented environments. The RAID protection is based on a hardware RAID implementation for highest system performance. RAID-6 is highly recommended if the system will be used with a larger number of disk shelf expansion units.

High reliability and availability

DSA E-Series keeps your data safe and available with redundant hot-swappable power and fans, and protection from double-disk failure and single bit errors during RAID rebuilds with high performance RAID-6.

With over 20 years of storage development experience, DSA E-Series is based on a field-proven design architected to provide high reliability and availability. Its redundant components, automated path failover, and online administration keep organizations productive 24 x 7 x 365.

Further high-availability features include:

- Automatic drive failover and detection and rebuild using global hot spare drives
- Mirrored data cache with battery backup and destage to flash
- SANtricity Proactive Drive Health monitoring identifies problem drives before they create issues

Monitoring

Full SNMP support with MIB-II and NetApp custom MIBs supported. In case of component failures SNMP, e-mail alert notifications will be generated. Additionally, an Event Monitor for sending alert notifications to a central Major Event Log is available.

Management

NetApp SANtricity storage management software combines robustness and ease of use. Full-time storage administrators appreciate the extensive configuration flexibility which allows optimal performance tuning and complete control over data placement. Part-time system administrators love the intuitive interface and wizards designed to simplify their tasks. With its dynamic capabilities, SANtricity software supports on-the-fly expansion, reconfiguration, and maintenance without interrupting storage system I/O. SANtricity software is available as 32-bit and 64-bit Microsoft OS installation package.

Certifications and approvals

Region	Certification	
Europe	CE	DSA E-Series (2.0)
USA	UL	DSA E-Series

Installation/configuration notes

Installable on 32-bit and 64-bit Windows Clients, SANtricity storage management software provides easy central management of all DSA E-Series arrays

available within one network. There is no additional software necessary to be installed on peripheral devices. In addition, the system provides a powerful Command Line Interface (CLI) which is fully remote accessible by SSH (Secure Shell).

DSA E-Series offers per controller a serial console connector and two dedicated Ethernet management ports for management access and 2 x 10 Gigabit Ethernet iSCSI host ports. Each port must be configured with a separate IP address; the two iSCSI host ports are separated access paths to the storage system and represent an individual iSCSI target each.

The net capacity available is shown in the following table:

Configuration Information (RAID-5)	Net Capacity (GB)
Simplex Controller Unit (8 x 2 TB)	13034
Simplex Controller Unit (12 x 2 TB)	20482
Expansion Unit (12 x 2 TB)	20482

Configuration Information (RAID-6)	Net Capacity (GB)
Simplex Controller Unit (8 x 2 TB)	11172
Simplex Controller Unit (12 x 2 TB)	18620
Expansion Unit (12 x 2 TB)	18620

The limitations for the number of concurrent iSCSI sessions and bandwidth are outlined in the table below (specifications per controller only):

Network Uplink 1 GbE (RAID-5)

	iSCSI Sessions	Bandwidth Mbps (Base Unit 12 x HDD)	Bandwidth Mbps (min. 1 x Base Unit + 1 x Expansion Unit: 24 x HDD)
Single port	400	500 / 32	500 / 60
Dual port	300 per port	500 / 32	800 / 160

Network Uplink 10 GbE (RAID-5)

	iSCSI Sessions	Bandwidth Mbps (Base Unit 12 x HDD)	Bandwidth Mbps (min. 1 x Base Unit + 1 x Expansion Unit: 24 x HDD)
Single port	400	500 / 32	800 / 60
Dual port	300 per port	500 / 32	800 / 160

Network Uplink 1 GbE (RAID-6)

	iSCSI Sessions	Bandwidth Mbps (Base Unit 12 x HDD)	Bandwidth Mbps (min. 1 x Base Unit + 1 x Expansion Unit: 24 x HDD)
Single port	400	400 / 25	600 / 50
Dual port	300 per port	400 / 25	600 / 50

Network Uplink 10 GbE (RAID-6)

	iSCSI Sessions	Bandwidth Mbps (Base Unit 12 x HDD)	Bandwidth Mbps (min. 1 x Base Unit + 1 x Expansion Unit: 24 x HDD)
Single port	400	400 / 25	600 / 50
Dual port	300 per port	400 / 25	600 / 120



Notice

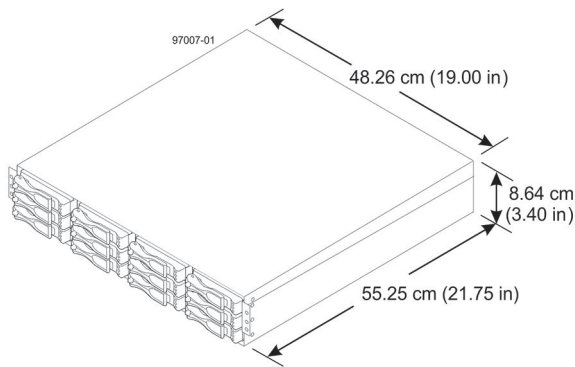
iSCSI session specifications refer to the total number of recording and replay sessions. Bandwidth data refer to <Recording> / <Replay>.



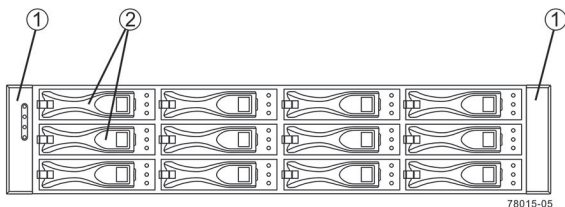
Notice

DSA E-Series in Simplex Controller configuration are only supported by BVIP Firmware 5.52 and later and VRM 2.30 and later.

Dimensions Controller Unit and Expansion Unit 12AT

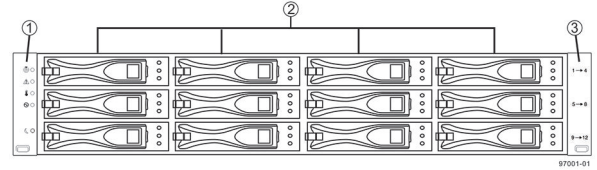


Front view Controller Unit



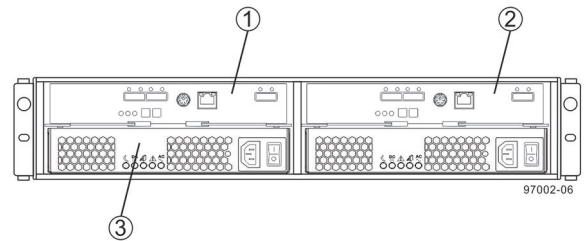
- 1 End Caps (the Left End Cap has the Controller-Drive Tray Summary LEDs)
- 2 Drive Canisters

Front view Expansion Unit 12AT



- 1 End Caps (the Left End Cap has the Drive Tray LEDs)
- 2 Drives
- 3 Right End Cap

Rear view Expansion Unit 12AT



- 1 ESMA Canister
- 2 ESM B Canister
- 3 Power-Fan A Canister

Technical specifications

Simplex Controller 8 x 2 TB (DSA-N2E6X2-08AT)

Electrical requirements

Parameter	Low range	High range
Nominal voltage	100 VAC	240 VAC
Frequency	50 to 60 Hz	50 to 60 Hz
Idle current	3.97 A	1.63 A
Maximum operating current	4.25 A	1.68 A
Sequential drive group spin up	4.27 A	1.76 A
Simultaneous drive spin up	6.13 A	2.71 A
System rating plate label	7.0 A	2.9 A

Power ratings

KVA	0.400
AC Watts	399

BTU/h	1366
-------	------

Note: for detailed information please see the NetApp E-Series Storage Systems Site Preparation Guide

Battery data

Number of batteries	2
Battery type	Li-ion
Weight of battery	0.157 kg (0.346 lb)
Battery casing	Pack
Battery group	Accumulator

System hardware specifications

Chassis	CE2600 controller-drive tray conforms to the 483 mm (19.0 in) rack standard
Power supplies	Dual redundant, hot pluggable
Maximum disk drives	8 x 2 TB, 3.5", Nearline SAS
Maximum net capacity	~13000 GB (RAID-5 configured)
DDR2 memory (system RAM)	2 GB
Integrated I/O	2 x 100 Mbps management port; 2 x 1/10 Gigabit Ethernet, copper
Remote management (via LAN)	Yes (plus serial console on dedicated port)

Mechanical

Dimensions (H x W x D)	
• Controller-drive tray	86.4 x 482.6 x 552.5 mm (3.4 x 19 x 21.75 in)
• Shipping carton	241.3 x 584.2 x 685.8 mm (9.5 x 23 x 27 in)
Weight	
• Maximum weight	23 kg (55.72 lb)
• Maximum shipping weight	27.75 kg (61.2 lb)

Space requirements

Front—cooling	760 mm (30 in) clearance in front of the cabinet
Rear—cooling	610 mm (24 in) clearance behind the cabinet
Front of chassis—maintenance	760 mm (30 in) clearance in front of the cabinet
Rear of chassis—maintenance	610 mm (24 in) clearance behind the cabinet

Environmental

Temperature	
-------------	--

• Operating range (both cabinet and subsystem)	+10 °C to +35 °C (+50 °F to +95 °F)
• Maximum rate of change	10 °C (50 °F) per hour
• Storage range	-10 °C to +50 °C (+14 °F to +122 °F)

Relative humidity (non-condensing)

• Operating range (both cabinet and subsystem)	20 to 80%
• Storage range	10 to 90%

Acoustic noise

• Sound power (standby operation)	65 dB max
• Sound pressure (normal operation)	65 dBA max

Simplex Controller 12 x 2 TB (DSA-N2E6X2-12AT)

Electrical requirements

Parameter	Low range	High range
Nominal voltage	100 VAC	240 VAC
Frequency	50 to 60 Hz	50 to 60 Hz
Idle current	3.97 A	1.63 A
Maximum operating current	4.25 A	1.68 A
Sequential drive group spin up	4.27 A	1.76 A
Simultaneous drive spin up	6.13 A	2.71 A
System rating plate label	7.0 A	2.9 A

Power ratings

KVA	0.400
AC Watts	399
BTU/h	1366

Note: for detailed information please see the NetApp E-Series Storage Systems Site Preparation Guide

Battery data

Number of batteries	2
Battery type	Li-ion
Weight of battery	0.157 kg (0.346 lb)
Battery casing	Pack
Battery group	Accumulator

System hardware specifications

Chassis	CE2600 controller-drive tray conforms to the 483 mm (19.0 in) rack standard
Power supplies	Dual redundant, hot pluggable
Maximum disk drives	12 x 2 TB, 3.5", Nearline SAS
Maximum net capacity	~20500 GB (RAID-5 configured)
DDR2 memory (system RAM)	2 GB
Integrated I/O	2 x 100 Mbps management port; 2 x 1/10 Gigabit Ethernet, copper
Remote management (via LAN)	Yes (plus serial console on dedicated port)

Mechanical

Dimensions (H x W x D)	
• Controller-drive tray	86.4 x 482.6 x 552.5 mm (3.4 x 19 x 21.75 in)
• Shipping carton	241.3 x 584.2 x 685.8 mm (9.5 x 23 x 27 in)
Weight	
• Maximum weight	24.9 kg (54.9 lb)
• Maximum shipping weight	29.65 kg (65.37 lb)

Space requirements

Front—cooling	760 mm (30 in) clearance in front of the cabinet
Rear—cooling	610 mm (24 in) clearance behind the cabinet
Front of chassis—maintenance	760 mm (30 in) clearance in front of the cabinet
Rear of chassis—maintenance	610 mm (24 in) clearance behind the cabinet

Environmental

Temperature	
• Operating range (both cabinet and subsystem)	+10 °C to +35 °C (+50 °F to +95 °F)
• Maximum rate of change	10 °C (50 °F) per hour
• Storage range	-10 °C to +50 °C (+14 °F to +122 °F)
Relative humidity (non-condensing)	
• Operating range (both cabinet and subsystem)	20 to 80%
• Storage range	10 to 90%
Acoustic noise	

- | | |
|-------------------------------------|------------|
| • Sound power (standby operation) | 65 dB max |
| • Sound pressure (normal operation) | 65 dBA max |

Expansion Unit 12 x 2 TB (DSX-N1D6X2-12AT)**Electrical requirements—expansion unit**

Parameter	Low range	High range
Nominal voltage	100 VAC	240 VAC
Frequency	50 to 60 Hz	50 to 60 Hz
Idle current	2.96 A	1.23 A
Maximum operating current	3.03 A	1.26 A
Sequential drive group spin up	4.23 A	1.76 A
Simultaneous drive spin up	4.43 A	1.83 A
System rating plate label	7.0 A	2.9 A

Power ratings—expansion unit

KVA	0.276
AC Watts	276
BTU/h	954

Note: for detailed information please see the NetApp E-Series Storage Systems Site Preparation Guide

System hardware specifications—expansion unit

Chassis	DE1600 controller-drive tray conforms to the 483 mm (19.0 in) rack standard
Power supplies	Dual redundant, hot pluggable
Maximum disk drives	12 x 2 TB, 3.5", Nearline SAS
Maximum net capacity	~20500 GB (RAID-5 configured)
Integrated I/O	6 Gb SAS

Mechanical—expansion unit

Dimensions (H x W x D)	
• Drive tray	86.4 x 482.6 x 552.5 mm (3.4 x 19 x 21.75 in)
• Shipping carton	241.3 x 584.2 x 685.8 mm (9.5 x 23 x 27 in)
Weight	
• Maximum weight	27 kg (59.52 lb)
• Maximum shipping weight	31.75 kg (70.0 lb)

Space requirements

Front-cooling	760 mm (30 in) clearance in front of the cabinet
Rear-cooling	610 mm (24 in) clearance behind the cabinet
Front of chassis-maintenance	760 mm (30 in) clearance in front of the cabinet
Rear of chassis-maintenance	610 mm (24 in) clearance behind the cabinet

Environmental-expansion unit

Temperature

• Operating range (both cabinet and subsystem)	+10 °C to +40 °C (+50 °F to +104 °F)
• Maximum rate of change	10 °C (50 °F) per hour
• Storage range	-10 °C to +50 °C (+14 °F to +122 °F)

Relative humidity (non-condensing)

• Operating range (both cabinet and subsystem)	20 to 80%
• Storage range	10 to 90%

Acoustic noise

• Sound power (standby operation)	65 dB max
• Sound pressure (normal operation)	68 dB max

Notes:

General technical information for the RAID systems are provided in the NetApp E-Series Storage Systems Site Preparation Guide (Information Web: <http://www.netapp.com>; Part number: 54541-01, December 2012)

NetApp and SANtricity are registered trademarks of NetApp, all rights reserved. All data and dimensions are referenced from the NetApp Site Preparation Guide and from the NetApp Website and are subject to change without notice.

Ordering information**DSA E-Series Simplex Controller, 8 x 2 TB**

High-performance, high-capacity storage system base unit, iSCSI disk array, 8 x 2 TB HDD
Order number **DSA-N2E6X2-08AT**

DSA E-Series Simplex Controller, 12 x 2 TB

High-performance, high-capacity storage system base unit, iSCSI disk array, 12 x 2 TB HDD
Order number **DSA-N2E6X2-12AT**

DSA E-Series expansion, 12 x 2 TB

High-performance, high-capacity storage system expansion unit, iSCSI disk array, 12 x 2 TB HDD
Order number **DSX-N1D6X2-12AT**

Accessories**DSA E-Series storage expansion 2 TB**

2 TB HDD
Order number **DSA-EDTK-200A**

DSA E-Series rack

Empty rack, 40U
Order number **DSX-NRCK40-INT**

Services**Warranty extension, Simplex Controller 8 x 2 TB**

12-month warranty extension for DSA E-Series base unit, 8 x 2 TB
Order number **DSA-N2E6S8-ESW**

Warranty extension, Simplex Controller 12 x 2 TB

12-month warranty extension for DSA E-Series base unit, 12 x 2 TB
Order number **DSA-N2E6S12-ESW**

Warranty extension, expansion 12 x 2 TB

12-month warranty extension for DSA E-Series expansion unit, 12 x 2 TB
Order number **DSX-N1D6S12-ESW**

Parts delivery, Simplex Controller 8 x 2 TB

12-month parts delivery within 4 hours for DSA E-Series base unit, 8 x 2 TB
Order number **DSA-N2E6S8-4PD**

Parts delivery, Simplex Controller 12 x 2 TB

12-month parts delivery within 4 hours for DSA E-Series base unit, 12 x 2 TB
Order number **DSA-N2E6S12-4PD**

Parts delivery, expansion 12 x 2 TB

12-month parts delivery within 4 hours for DSA E-Series expansion unit, 12 x 2 TB
Order number **DSX-N1D6S12-4PD**

Parts replacement, Simplex Controller 8 x 2 TB

12-month parts replacement within 4 hours for DSA E-Series base unit, 8 x 2 TB
Order number **DSA-N2E6S8-4PR**

Parts replacement, Simplex Controller 12 x 2 TB

12-month parts replacement within 4 hours for DSA E-Series base unit, 12 x 2 TB
Order number **DSA-N2E6S12-4PR**

Parts replacement, expansion 12 x 2 TB

12-month parts replacement within 4 hours for DSA E-Series expansion unit, 12 x 2 TB
Order number **DSX-N1D6S12-4PR**

Non-returnable disk, Simplex Controller 8 x 2 TB

12-month non-returnable disk option for DSA E-Series base unit, 8 x 2 TB
Order number **DSA-N2E6S8-NRD**

Non-returnable disk, Simplex Controller 12 x 2 TB

12-month non-returnable disk option for DSA E-Series base unit, 12 x 2 TB

Order number **DSA-N2E6S12-NRD**

Non-returnable disk, expansion 12 x 2 TB

12-month non-returnable disk option for DSA E-Series expansion unit, 12 x 2 TB

Order number **DSX-N1D6S12-NRD**

Represented by:

Americas:

Bosch Security Systems, Inc.
130 Perinton Parkway
Fairport, New York, 14450, USA
Phone: +1 800 289 0096
Fax: +1 585 223 9180
security.sales@us.bosch.com
www.boschsecurity.us

Europe, Middle East, Africa:

Bosch Security Systems B.V.
P.O. Box 80002
5617 BA Eindhoven, The Netherlands
Phone: + 31 40 2577 284
Fax: +31 40 2577 330
emea.securitysystems@bosch.com
www.boschsecurity.com

Asia-Pacific:

Robert Bosch (SEA) Pte Ltd, Security Systems
11 Bishan Street 21
Singapore 573943
Phone: +65 6571 2808
Fax: +65 6571 2699
apr.securitysystems@bosch.com
www.boschsecurity.asia

China:

Bosch (Shanghai) Security Systems Ltd.
201 Building, No. 333 Fuquan Road
North IBP
Changning District, Shanghai
200335 China
Phone +86 21 22181111
Fax: +86 21 22182398
www.boschsecurity.com.cn

America Latina:

Robert Bosch Ltda Security Systems Division
Via Anhanguera, Km 98
CEP 13065-900
Campinas, Sao Paulo, Brazil
Phone: +55 19 2103 2860
Fax: +55 19 2103 2862
latam.boschsecurity@bosch.com
www.boschsecurity.com