

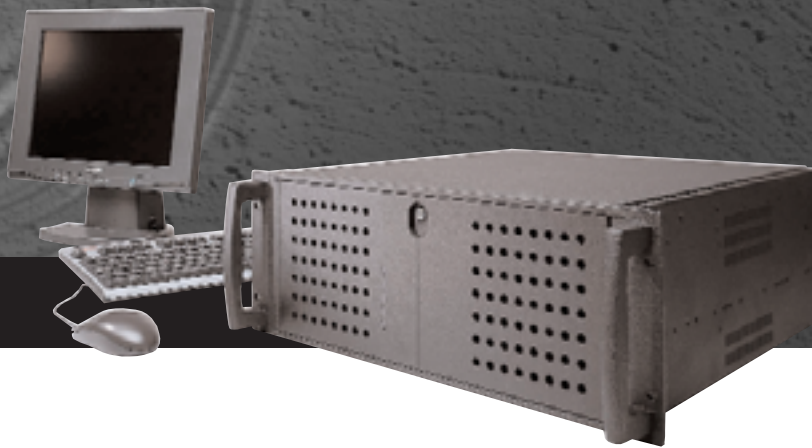
DiBos

Digital Recorder and Transmission System



Security Systems

DiBos is a digital surveillance system which allows video images to be stored and evaluated on the spot. Image transmission also enables evaluation to take place in remote locations.



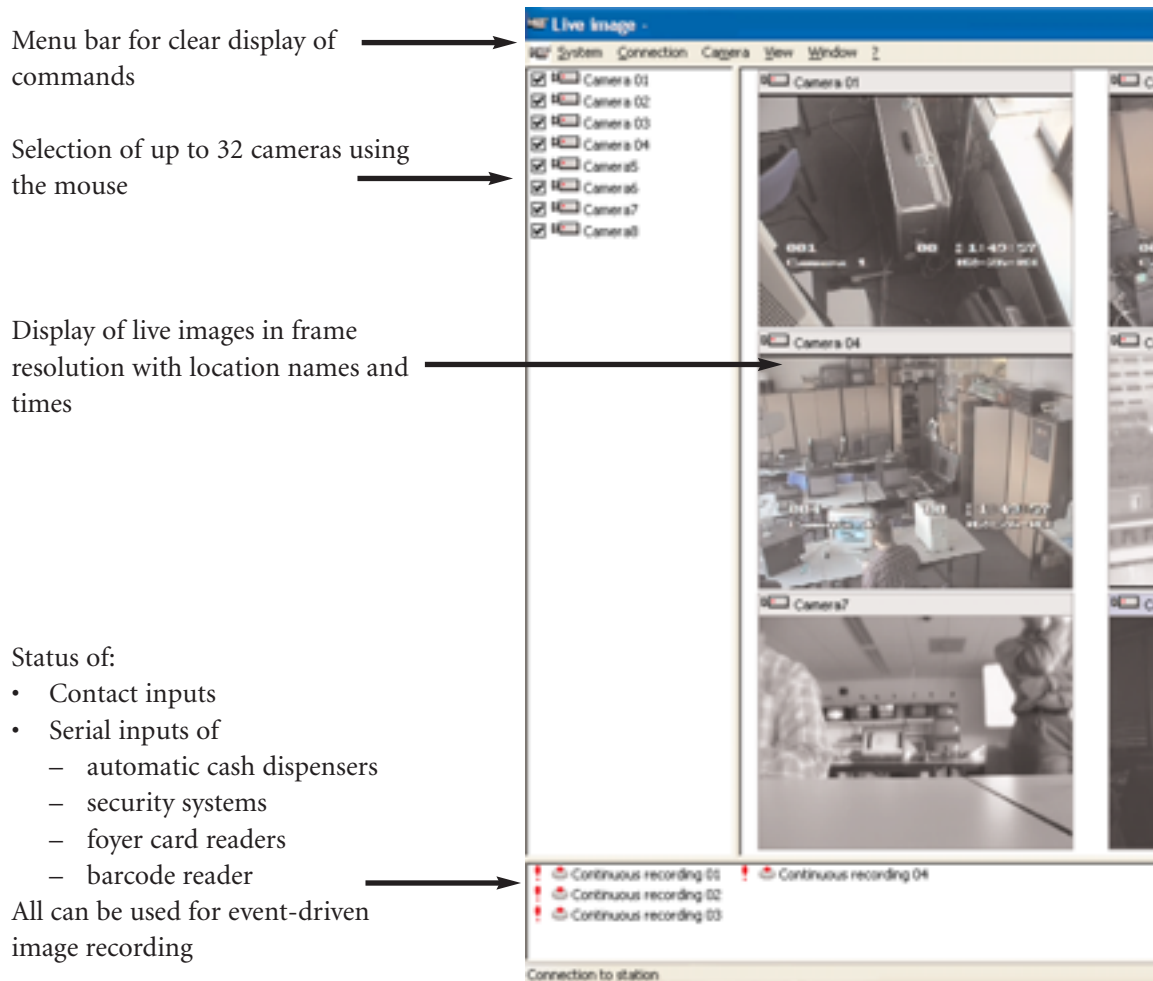
The DiBos Image Storage and Transmission System integrates visual information seamlessly into the operation of a security operations center. Images are the basis for the instant assessment of a situation, ensuring a fast response and allowing assistance providers to be deployed cost-effectively and efficiently.

By clearly assigning images to events, the security system provides important information about:

- The cause of danger, by showing the image when the alarm was triggered.
- The development of the alarm, by displaying up-to-the-minute pictures.
- The sequence of events leading up to the alarm, for subsequent evaluation of images which were automatically recorded prior to the event.
- Documentation of the event by recording image sequences.
- Brilliant Web Browser access
- Control of several PTZ cameras locally and on remote stations.

Comprehensive event records are achieved through:

- Storing images on internal and external hard disks
- Connection of:
 - detectors (contact inputs).
 - security systems from Bosch via RS 232.
 - up to 4 automatic cash dispensers.
 - up to 4 foyer card readers.
 - barcode reader.
- Image transmission and remote control from authorized DiBos systems via:
 - analog telephone network
 - ISDN
 - customer's own network (Token Ring, OS/2, Ethernet)
 - DSL
 - Internet
- Integration of the DiBos Image Storage and Transmission System into a building management system

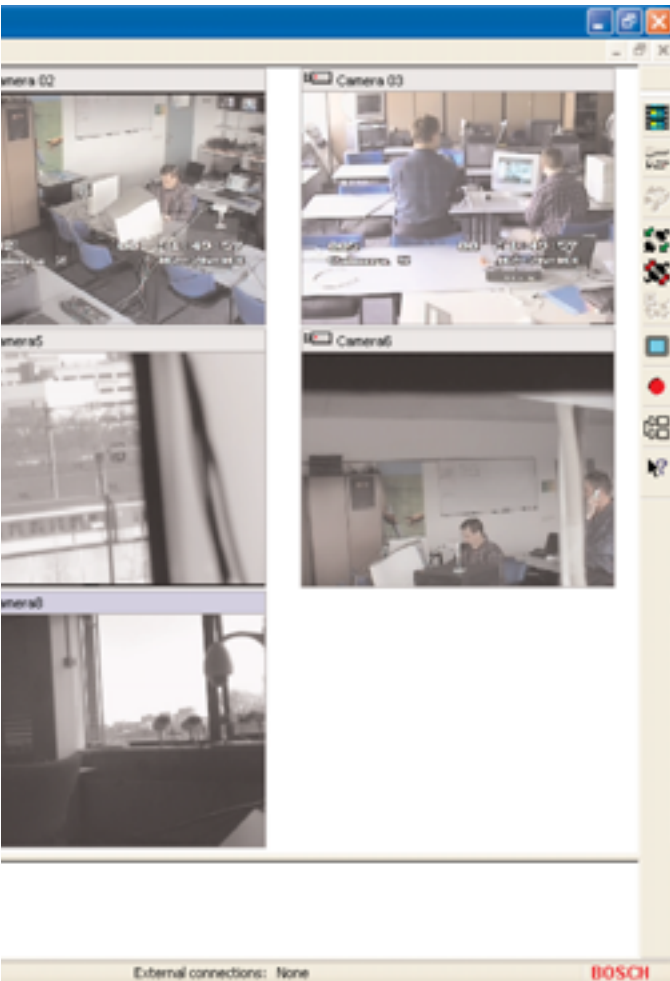


The BoVis system provide excellent security for many applications including:

- Simultaneous live view, image searches, playback, recording and image backup without any loss of performance
- Integrated motion detection to control image recording and/or image transmission
- Connection of two or more DiBos Systems after authorization checks
- Logging events such as automatic cash dispensers/transactions
- Recording alarm events such as holdups in banks in accordance with the provisions of the Accident Prevention Regulations for Banks (UVV-Kassen accredited)
- Checking objects such as gatehouse surveillance, access control and remote monitoring
- Remote control of relay outputs (opening cabinets, switching on light, etc.)
- Image transmission to the security operations center, e.g. for event monitoring, evaluation of situation, action planning and more

Benefits:

- Consistently high image quality with on-the spot recording and image transmission via customer's own networks or public networks
- Image search by time, date, camera number and optional transaction data or entry data for automatic cash dispensers and access control terminals
- Access control for foyers with the option of excluding certain customer groups
- Network-wide image searches using a search command
- Barcode reader connection via RS 232 Interface and barcode storage (only for BoVis modular)
- Search by barcode with automatic film creation (only for BoVis modular)
- Automatic image transmission to various defined recipients in the event of fault alarm or alarm (e.g. fault alarm to monitoring center, alarm to police)
- Differentiated fault report transmission by Net-Send-Message, e-mail or SMS

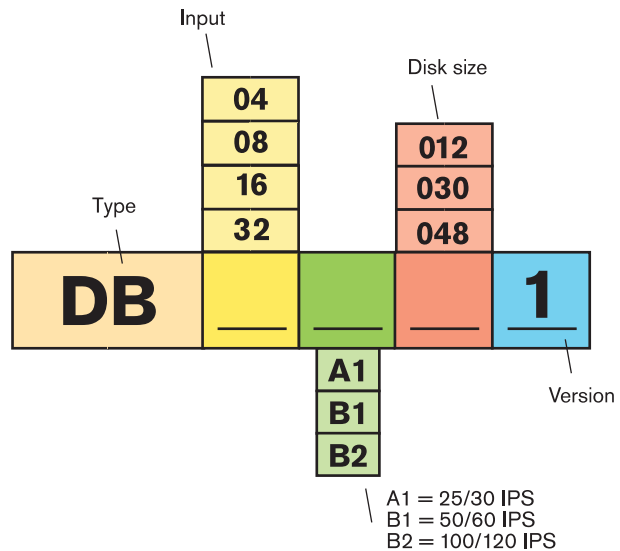


- Icon bar for selection of:
- ← Image archive
 - ← Setup
 - ← Alarm simulation
 - ← Connection
 - ← Live image display
 - ← Image resolution
 - ← Recorder function
 - ← Automatic camera switching
 - ← Context-sensitive help on all functions

- Recording of events in the daily log book
- Internal software timer which allows customized control on weekdays, weekends, public holidays and for specific circumstances
- Single images and image sequences can be archived to floppy disk, CD, hard disk or network drives using image viewer either manually or based on a timer setting
- The operator control and parameter setting operations are protected by authorization levels and passwords ("4-eyes" principle possible)

DiBos Digital Recorder and Transmission System	Modular	Compact	Mini
Hardware			
Cameras inputs	16 or 32	8 or 16	4
Y/C Cameras inputs	8 or 16	4 or 8	
Resolution of stored images	704x288 pixels (NTSC 640x240 pixels)	704x288 pixels (NTSC 640x240 pixels)	720x288 pixels (NTSC 640x240 pixels)
Compression method	JPEG	JPEG	JPEG
Image digitization	Y:U:V, 4:2:2	Y:U:V, 4:2:2	Y:U:V, 4:2:2
Stored IPS (PAL/NTSC)	100/120	50/60	25/30
Contact inputs (Camera - Y/C Cameras)	16 or 32	8 or 16	5
Relay outputs (Camera - Y/C Cameras)	8 or 16	4 or 8	no
Internal hard disk for BoVis Software and Operating System	120 GB	120 GB	120 GB
Expansion of the internal hard disk for image storage	300 GB /480 GB	300 GB /480 GB	300 GB
External hard disks for image recording	Up to 2.2 TB (DVAS or DVAD series)		
19inch rack (HxWxD)	17,5 x 48, 5 x 40 cm	17,5 x 48,5 x 40 cm	17,5 x 48,5 x 40 cm
Software			
Operating system	Microsoft Windows XP		
Serial RS 232 Interface to security systems from Bosch	UGM 2020, UEZ 2000, UEZ 1000, BZ 500, NZ 500, BZ 1060, NZ 1060, BZ 1012, NZ 1012, NZ 1008 and DX 9000 series		
Foyer reader via RS 232	up to 4 LS 23 M or Miniter Foyer Card Readers (N.B.: access for certain customers/customer groups can be blocked)		
Customer-operated cash dispenser via RS 232	up to 4, all popular types; date, time, transaction number, bank sort code, account number, sum and cash dispenser number are stored with the image. Image searches possible matching these criteria		
Image printers via Centronics Interface	with Windows XP™ drivers, e.g. thermo sublimation printer, colour inkjet printer or laser printer		
Storage space per image	can be set in 5 stages between 5 kB and 28 kB		

Ordering Guide



Bosch Security Systems.
 5600 JB Eindhoven
 The Netherlands
 Tel: +31 (40) 27 80000
 Fax: +31 (40) 27 80001
www.boschsecuritysystems.com

