

- H.264 VIDEO COMPRESION STANDARD
- 510 x 494 D1@30fps
- SONY EFFIO-e DIGITAL SIGNAL PROCESOR
- 600/700 TVL RESOLUTION
- SUPPORTS SD CARD BACK UP TO 32GB
- ONVIF PROTOCOL



iPac™ PLUS

GENERAL DESCRIPTION

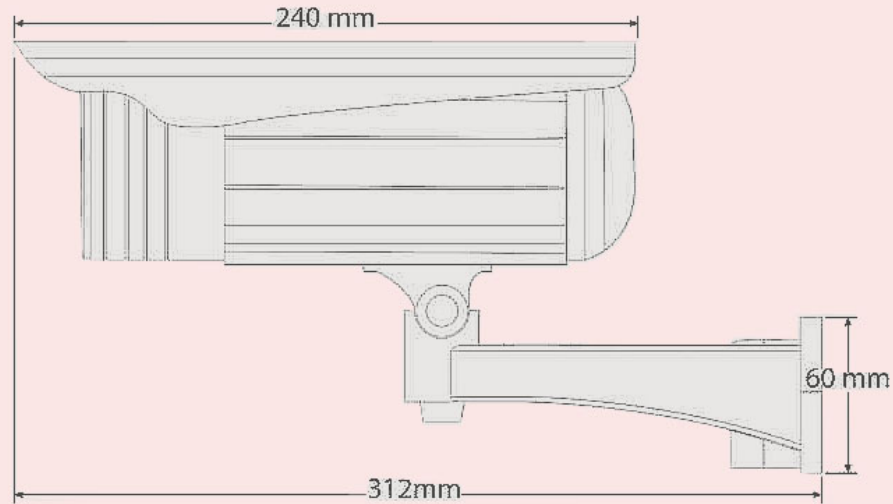
The **BN2035IRIP** is a Hybrid bullet camera (IP and analog), with the best characteristics for indoor and outdoor installations thanks to its IP66 protection. Its Image processor, Sony Effio–e, contributes to deliver the best quality images, color registration and resolution. Thanks to its design and compact size this bullet camera becomes a favorite and highly required device for multiple applications. The **BN2035IRIP** shares with all **iPac** devices the H.264 compression standard, which guarantees a good codification of images with the best quality, the optimization of the storage and compatibility with windows media player. Last, the **ONVIF** protocol offers all iPac devices the best compatibility and performance with different software applications. iPac line of products is complemented with our Network Video Management Solution license free and that allows managing and recording.

OPTICAL INFORMATION

IMAGE SENSOR	1/3" Sony CCD	AGC	High/Middle/Low/Off
DIGITAL SIGNAL PROCESSOR	New Sony Effio-e	BLC	On / Off
SIGNAL SYSTEM	NTSC	BNC	Yes
CAMERA TYPE	Day/Night Color	ELECTRONICO SHUTTER	1/60~100,000 sec
RESOLUTION	600TVL	OSD/CONTROL MODE	8 Language OSD
MINIMUM ILUMINATION	0.1 Lux;0lux(IR LED ON)	DNR	2D
S/N RATIO	48dB	DSS	NO
DYNAMIC RANGE	N/A	GAMMA	0,45
WHITE BALANCE	AWB/AWB/ANTI-CR/Manual	VIDEO OUTPUT	BNC 75 Ohm

LENS		VIDEO ENCODING	
LENS TYPE	VariFocal	SIGNAL SYSTEM	NTSC
FORMAT SIZE	1/3"	COMPRESSION	H.264
FOCAL LENGHT	2.8 - 10mm	ENCODE SPEED	20Kbps-12Mbps
ANGULE OF VIEW	22.1°-95.6°	ENCODE RESOLUTION	510 x 494 D1@30fps
MOUNT TYPE	Board	STREAM RANGE	VBR/CBR 5kb - 2M
IRIS CONTROL	DC		
IR ILUMINATION		AUDIO	
INFRARED WAVELENGHT	850nm	INPUT	1 Channel
INFRARED LAMP	10-15M	OUTPUT	1 Channel
IRRADIATION DISTANCE		COMPRESSION	G723.1/6.3kbps
INTERFACES		MECHANICAL	
VIDEO	BNC 75ohm/RJ45	DIMENSIONS	240*130mm(L*H)
ALARM INPUT	1 Channel	WEIGHT	1250gr
ALARM OUTPUT	1 Channel		
NETWORK INTERFACE	Built in, RJ-45,10/100Base-t		
NETWORK PROTOCOLS	RTP/RTCP, TCP/UDP, IPv4/v6, HTTP, DHCP, PPPoE, DDNS		
	RS-485 for external device		
PTZ CONTROL INTERFACE	control (Pan/Tilt)		
GENERAL		ENVIRONMENTAL	
USERS	Admin	OPERATING TEMPERATURE	(-10℃ ~ 60 ℃)
WEB BROWSER	support,, built in Web Server		RH90% Max. (Non-condensing)
SECURITY	DES/3DES, HTTPS	OPERATING HUMIDITY	
MOTION DETECTION	support	ENVIRONMENTAL PROTECTION	IP66
SD CARD	Micro SD/HCS D, up to 32GB		
PoE	Yes	ELECTRICAL	
WIFI	N/A	INPUT VOLTAGE	DC12V/PoE
			< 5W(IR LED OFF);7W
		POWER COMSUMPTION	MAX(IR LED ON)
		RECOMMENDED POWER	
		SUPPLY	DC12V ± 5%

General Dimensions



ADDITIONAL ACCESORIES SUGGESTED



- Power supply
BP0004/S1500