

DAX

Dome Interfaces

- Easy to install due to minimal cabling requirements and compact size
- Auto tuning to minimise installation time
- Compatible with 12 leading dome brands
- Access to 16 presets dome specific
- Patrol function available, DAX driven
- Pan flip (Auto flip) function supported on some domes
- Sites can have a selection of AC or DC receivers and Dax converters controlled from one transmitter
- Proportional variable speed supported with the ZKX2/J and ZKX3/J joystick keyboard
- Compatible with Baxall coaxial ZTX6 and ZMX Plus telemetry transmitters



The DAX range of dome converters is designed to control leading brands of variable speed domes via ZTX6 and ZMX Plus coaxial telemetry transmitter.

Control is enabled by converting Baxall co-axial telemetry signalling into twisted pair protocols for selected proprietary domes.

Installation of the domes is made simple as all signals are transmitted along the coaxial cable to the DAX. Control can be maintained at distances up to 500 metres using correctly specified coax cable.

Compatible with ZTX6 and ZMX Plus using joystick keyboard ZKX2/J or ZKX3/J for proportional variable speed.

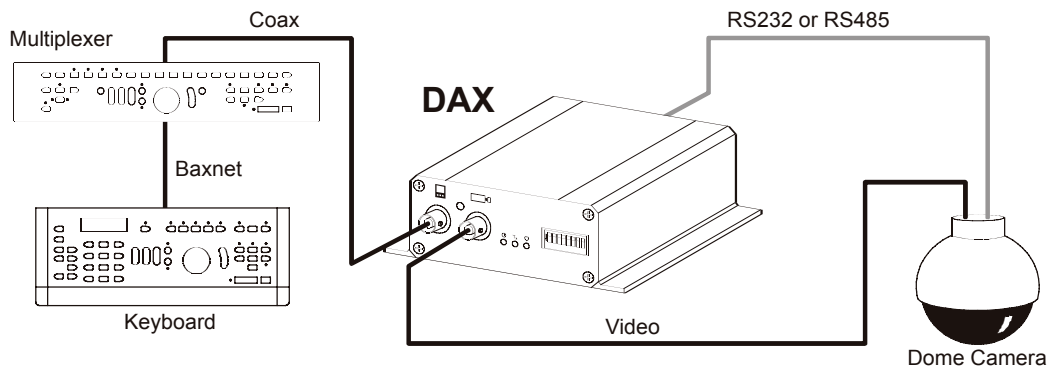


Domes Currently Supported

Manufacturer	Models	Baxall Product Code
JVC	TK-C675BE, TK-C675E	DAX/JVC
Star	MD-100, MD800, MD-1200S, MD1200H, MD-2000	DAX/DMA
Sanyo	VCC-9200P	DAX/DMA
Computar	SMD08P, SMD-0811, SMD-12, SMD-1211, SMD-20	DAX/DMA
Mark Mercer	D250 mpT, D400 mpT, D500mpT	DAX/MM
Dennard	Type 2050	DAX/DEN
Vicon	V7UVS-CC, V7UVS-MC, V15UVS, Surveyor 99, Surveyor 2000	DAX/MIC
Phillips/Burle (RS232 I/F only)	TC750-4-2, TC750-6-2, TC750-9-2, TC750X-2-2, TC750X-6-2, TC750X-9-2, TC770-4-2, TC770-6-2, TC770-9-2, TC770X-4-2, TC770X-6-2, TC770X-9-2	DAX/PHIL
Panasonic	WV-CSR300, WV-CSR400, WV-CSR600, W-CSR850	DAX/PAN
Pelco	Will control any Pelco dome running Pelco "D" protocol	DAX/PEL
Kenko	DAP16-H3	DAX/KEN
Ultrak	Will control all KD6 domes. KDZ domes controlled after initial programming via JPD keyboard	DAX/UL
Sensormatic	Optima, Ultra 3, 4 and 6	DAX/SEN
VCL	Orbiter lite, Orbiter and Jupiter	DAX/VCL

Generic Specifications

Video:	
Input	Composite video 1V p-p 75 ohm terminated, BNC connector
Output	Composite video 1V p-p 75 ohm terminated, BNC connector
Interface	
Data Comms	RS485, RS232
Power Supply	
Input Voltage	12V DC (240V AC adapter supplied) or 24V AC.
Power Consumption	<50mA
Physical	
Dimensions (WxHxD)	115 x 37 x 107mm
Weight	242kg
Enclosure / Colour	Anodise black aluminium
Environmental	
Operating Temperature	0~40°C operating (-20°~80°C storage)
Operating Humidity	20% to 80% relative humidity max, non condensing



BAXALL
LIMITED



The manufacturer reserves the right to alter price or specification without prior notice.

Head Office:
Unit 1 Castle Hill, Horsfield Way, Bredbury
Park Industrial Estate, Stockport, Cheshire
SK6 2SU, UK.
Tel: +44 (0)161 406 6611
Fax: +44 (0)161 406 8988
sales@baxall.com support@baxall.com
www.baxall.com
www.baxallnetworks.com

BSIA
British Security Industry Association



Ref: 04/02