

## AXIS 209FD-R/209MFD-R Network Cameras

Compact, rugged network cameras for mobile video surveillance.



- > Flat design
- > Progressive scan and megapixel
- > Vibration, humidity and dust resistant
- > Active tampering alarm
- > Power over Ethernet

AXIS 209FD-R/209MFD-R are compact, rugged network cameras designed specifically to withstand tough environments. Their tamper-resistant casing stands up to the vibrations, humidity, dust and fluctuating temperatures found e.g. in buses and trains.

AXIS 209FD-R/209MFD-R are palm-sized discreet network cameras specifically designed for mass transit vehicles. The flat, tamper-resistant casing makes them ideal for installation e.g. in buses or trains.

Progressive scan technology provides full resolution images of moving objects, with no distortion. AXIS 209FD-R provides VGA resolution, whereas AXIS 209MFD-R is a 1.3 megapixel network camera.

The rugged design is adapted for handling the vibrations, humidity, dust and temperature fluctuations typical for mass transit vehicles.

AXIS 209FD-R/209MFD-R feature intelligent capabilities such as the active tampering alarm, which offers effective casing protection by sending an alarm when tampering attempts like blocking or spray-painting are detected.

Power over Ethernet (IEEE 802.3af) supplies power to the cameras via the network, eliminating the need for power cables and reducing installation costs.

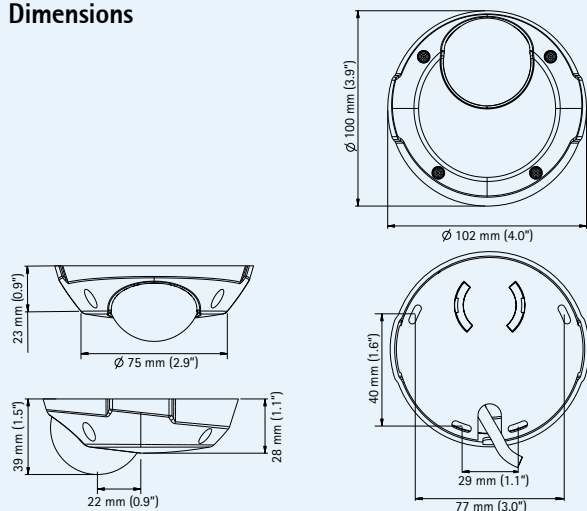


## Technical specifications – AXIS 209FD-R/209MFD-R Network Cameras

Camera		Network	
<b>Models</b>	<b>AXIS 209FD-R:</b> VGA <b>AXIS 209MFD-R:</b> Megapixel Both are available in two variants with different connectors: - Rugged RJ-45 connector - Rugged M12 connector	<b>Security</b>	Password protection, IP address filtering, HTTPS encryption
<b>Image sensor</b>	<b>AXIS 209FD-R:</b> 1/4" Progressive Scan RGB CMOS VGA <b>AXIS 209MFD-R:</b> 1/3" Progressive Scan RGB CMOS 1.3 Megapixel	<b>Supported protocols</b>	IPv4/v6, HTTP, HTTPS, QoS Layer 3 DiffServ, FTP, SMTP, Bonjour, UPnP, SNMPv1/v2c/v3 (MIB-II), DNS, DynDNS, NTP, RTSP, RTP, TCP, UDP, IGMP, RTCP, ICMP, DHCP, ARP, SOCKS
<b>Lens</b>	<b>AXIS 209FD-R:</b> 3.0 mm, F2.0, fixed iris , horizontal angle of view: 66° <b>AXIS 209MFD-R:</b> 3.6 mm, F1.8, fixed iris , horizontal angle of view: 74°	<b>System integration</b>	
<b>Minimum illumination</b>	<b>AXIS 209FD-R:</b> 1.5 - 10000 lux, F2.0 <b>AXIS 209MFD-R:</b> 3 - 10000 lux, F1.8	<b>Application Programming Interface</b>	Open API for software integration, including VAPIX® from Axis Communications available at <a href="http://www.axis.com">www.axis.com</a>
<b>Shutter time</b>	<b>AXIS 209FD:</b> 1/10000 s to 1/4 s <b>AXIS 209MFD:</b> 1/15000 s to 1/4 s	<b>Intelligent video</b>	Video motion detection, active tampering alarm
<b>Camera angle adjustment</b>	Pan ±10°, tilt 0 - 90°, rotation ±10°	<b>Alarm triggers</b>	Intelligent video , temperature
<b>Pan/Tilt/Zoom</b>	<b>AXIS 209MFD-R:</b> Digital PTZ, preset positions, guard tour	<b>Alarm events</b>	File upload via FTP, HTTP and email Notification via email, HTTP and TCP
<b>Video</b>		<b>Video buffer</b>	<b>AXIS 209FD-R:</b> 9 MB pre- and post alarm <b>AXIS 209MFD-R:</b> 20 MB pre- and post alarm
<b>Video compression</b>	MPEG-4 Part 2 (ISO/IEC 14496-2) Motion JPEG	<b>General</b>	
<b>Resolutions</b>	<b>AXIS 209FD-R:</b> 160x120 - 640x480 <b>AXIS 209MFD-R:</b> 160x90 - 1280x1024	<b>Casing</b>	Tamper-proof mounting IP66-rated
<b>Frame rate MPEG-4</b>	<b>AXIS 209FD-R:</b> Up to 30 fps in all resolutions <b>AXIS 209MFD-R:</b> Up to 8 fps in max resolution, higher frame rate in lower resolutions	<b>Processors and memory</b>	ARTPEC-A <b>AXIS 209FD-R:</b> 32 MB RAM, 8 MB Flash <b>AXIS 209MFD-R:</b> 64 MB RAM, 8 MB Flash
<b>Frame rate Motion JPEG</b>	<b>AXIS 209FD-R:</b> Up to 30 fps in all resolutions <b>AXIS 209MFD-R:</b> Up to 12 fps in max resolution, higher frame rate in lower resolutions	<b>Power</b>	Power over Ethernet IEEE 802.3af Class 1
<b>Video streaming</b>	Simultaneous Motion JPEG and MPEG-4 Controllable frame rate and bandwidth VBR/CBR MPEG-4	<b>Connectors</b>	RJ-45 variants: Rugged, female RJ-45 connector M12 variants: Rugged, male D-coded M12 connector
<b>Image settings</b>	Compression, color, brightness, sharpness, white balance, exposure control Text and image overlay Privacy mask	<b>Operating conditions</b>	-20 - 50 °C (-4 - 122 °F) Humidity 20 - 80% RH (non-condensing)
		<b>Storage conditions</b>	-30 - 70 °C (-22 - 158 °F)
		<b>Approvals</b>	Automotive environment (CE), EN 55022 Class B, EN 61000-3-2, EN 61000-3-3, EN 55024, EN 55025, FCC Part 15, Subpart B Class B, ICES-003 Class B, VCCI Class B, C-tick AS/NZS CISPR 22, MIC Class A, EN 60950-1, IP66 EN 50155: vibration, mechanical shock and temperature ISO 16750-3: vibration
		<b>Weight</b>	180 g (0.40 lb)
		<b>Included accessories</b>	AXIS PoE Midspan 1-port (RJ-45 variants only), key for tamper-proof screws, Installation Guide, CD with installation tool, recording software and User's Manual, Windows decoder 1-user license

More information is available at [www.axis.com](http://www.axis.com)

### Dimensions



### Connector variants

AXIS 209FD-R/209MFD-R Network Cameras are available in two variants with different connectors.

M12 connector



RJ-45 connector



### Optional accessories



For information on AXIS Camera Station and video management software from Axis' Application Development Partners, see [www.axis.com/products/video/software/](http://www.axis.com/products/video/software/)