

Advanced Technology Video, Inc.



## High Speed PTZ Dome Camera System

- Programmable 240 preset positions
- Up to 8 programmable guard tours consisting with 240 presets
- Manual or auto night shot mode for extremely low light sensitivity (SD523DSN)
- Slow shutter option for enhanced lower light performance
- Advanced 470 TVL high resolution camera for high quality digital recording
- Wide range of indoor and outdoor mounting options
- Up to 8 alarm inputs with 4 programmable alarm outputs
- Auto focus and auto iris control with manual override
- Remote control of AC Line Lock
- Quick connect mounting base for simple installation
- Data up and down load capability
- 8 dynamic programmable privacy zones
- 4.9-inch acrylic bubble

# SD5 SERIES SPECIFICATIONS

## MODELS

SDC523SN

High resolution color and black and white with 23 x optical zoom

SDC518SN

High resolution color only with 18x optical zoom

## GENERAL

**CCD Size**

1/4" Progressive Scan CCD

**Optical Zoom**

23X

**Focal Length**

f=3.6mm (wide) to 82.8 (tele), F1.6 to 3.7

**Digital Zoom**

10X

**Angular field of View**

54 degrees (wide) to 2.5 degrees (tele)

**Min. Illumination**

3.0 lux (typical)

0.2 lux ( slow shutter mode at 1/4s)

0.02 lux (slow shutter mode with IR removed)

Yes

**ICR (Filter Switching)**

**Slow Speed Shutter**

1/2 to 1/4,000s

**Video Output**

Composite 1.0Vp-p, 75 Ohms

**Pan Angle**

360 degree rotation

**Alarm (Optional)**

8 input/ 4 output

**Tilt Angle**

-4° ~ 94°

**Auto Scan**

1 Auto pan & auto scan capability

**Preset**

240 Presets with individual dwell time

**Pattern**

4 Patterns (recording up to 240sec)

**Tour**

8 Tours (consist of 32 functions per 1tour)

**Speed**

0.1 degrees/s to 380 degrees/sec

**Area Title**

16 sectors with 16 character titles for each sector

**Privacy Zone**

8 Privacy zones

(2 methods selectable : mark / video Off)

**Intelligent Zoom**

Proportional to pan speed

**Auto Flip**

Yes

**Control Communication**

RS485

## SDC518SN

1/4" Type Super HAD CCD

18X

f=4.1mm (wide) to 73.8mm (tele), F1.4-3.1

12X

48 degrees (wide) to 2.8 degrees (tele)

1.0 Lux (50 IRE)

No

No

360 degree rotation

No

-4° ~ 94°

1 Auto pan & auto scan capability

240 Presets with individual dwell time

4 Patterns (recording up to 240sec)

8 Tours (consist of 32 functions per tour)

0.1 degrees/s to 380 degree /sec

16 sectors with 16 character titles for each sector

8 Privacy zones

(2 methods selectable : mark /video Off)

Proportional to pan speed

Yes

RS485

## ELECTRICAL

**Power**

18-30 VAC or DC

**Certifications**

FCC, CE, Class A, UL/ cUL

## MECHANICAL

**Weight**

3.3lbs (1.5kg)

**Size (WxHxDmm)**

4.92" x 8.03" x 4.92"

(125mm x 204mm x 125mm)

4.92" x 8.03" x 4.92"

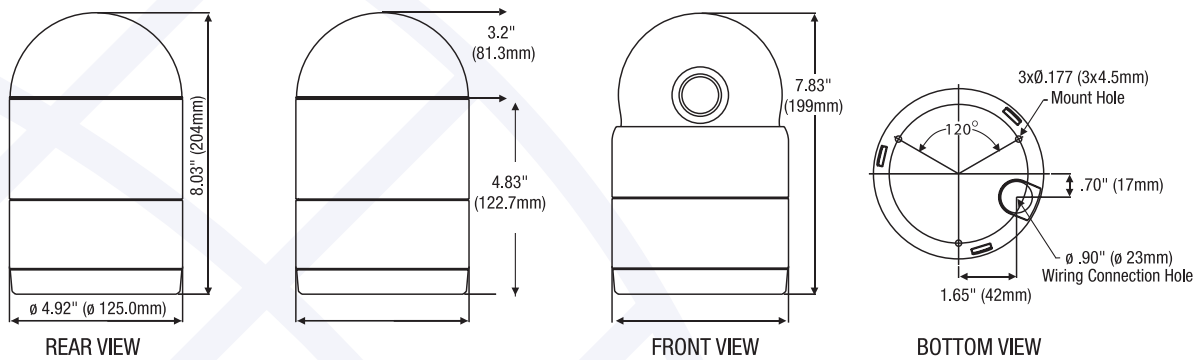
(125mm x 204mm x 125mm)

Specifications subject to change without notice.

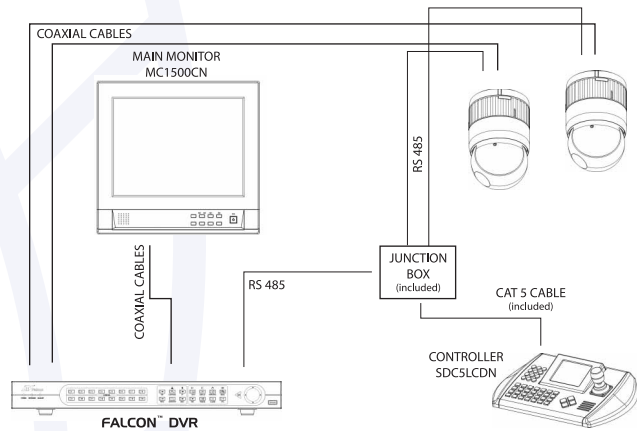


# SD5 SERIES APPLICATIONS

## UNIT DIAGRAM AND DIMENSIONS



## SYSTEM DIAGRAM



## CONTROLLERS

- 5 TFT LCD Adjustable Color Monitor (5DC5LCDN)
- Pan, Tilt & Zoom Joystick Control
- Focus & Iris Buttons
- Keyboard Hotkeys
- Password Protection
- On-Screen Menus
- On-Screen Compass Display
- Optional Multi-User Support
- Controls up to 100 Multiplexers (or DVRs) + 32 Speed Dome

### SDC5LCDN



**LCD**  
**PTZ Control**

**Multiplexer Remote**  
**DVR Remote**  
**ID Selectable**

**Multi User Support**

**Special Function**

5" TFT LCD  
 Pan/tilt/zoom: Joystick  
 Zoom/Focus/Iris key switches  
 Duplexer/Triplexer  
 Falcon DV series  
 64(254) connection dome without alarm  
 check 254 address  
 4 (1 master / 3 slave) any  
 combination of SDC5LCDN or SDC162N  
 64 x 4 matrix function (use 5 Talon16)  
 Automatic sequence (Video Switching)  
 with preset Real time display and  
 scheduled macro function  
 (daily, weekly, yearly)

### SDC162N



16 x 2 character LCD  
 Pan/tilt/zoom : Joystick  
 Zoom/Focus/Iris key switches  
 Duplexer/triplexer  
 Falcon DV series  
 32 connection dome

2 (1 master / 1 slave)



# OMNI VIEW

## TMSD1 - DROP CEILING TBAR MOUNTING KIT

<b>Pipe Specification</b>	1/2" cable access
<b>Construction</b>	Steel
<b>Maximum Load</b>	Approx 4.4 lbs (2kg)
<b>Finish</b>	Light-gray polyester powder coat

## MW-SD1 - INDOOR WALL OR CEILING MOUNT

## OME-SD1 - OUTDOOR WALL OR CEILING MOUNT

### MECHANICAL

<b>Construction</b>	Aluminum, Steel and Plastic (ABS)
<b>Finish</b>	Polyester powder coat
<b>Dome Bubble</b>	Plastic (Acrylic)
<b>Weight</b>	Approx 7.7 lbs (3.5kg) Approx 9.5 lbs (4.3kg) - with sunshield

### ELECTRICAL (OME-SD1)

<b>Power Source</b>	24VAC, 50/60Hz
<b>Power Consumption</b>	Heater 50 watts / Blower 6 watts
<b>Dome Camera</b>	20 watts

### GENERAL

<b>Ambient</b>	Environment
<b>Temperature</b>	-49° to 122° F (-45° C to 50° C)
<b>Ratings</b>	IP 65

## FM-SD1 - FALSE CEILING MOUNTING KIT

<b>Construction</b>	Steel
<b>Maximum Load</b>	Approx 4.4 lbs (2kg)

## PM-SD1 - PARAPET / ROOFTOP MOUNTING KIT

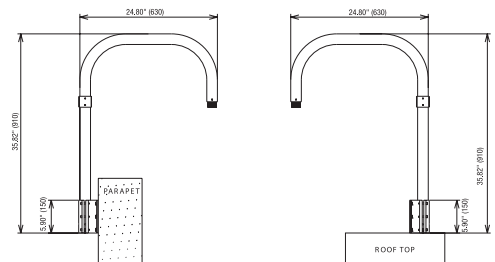
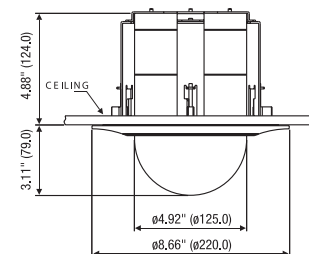
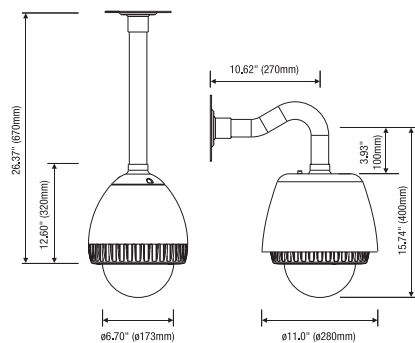
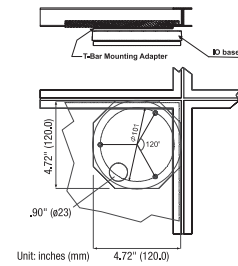
<b>Maximum Load</b>	40 pounds (18kg)
<b>Construction</b>	Aluminum Pipe, steel bracket and stainless hardware
<b>Finish</b>	Light-gray polyester powder coat

### DIMENSIONS

<b>Size (WxH)</b>	25" x 35" (63cm x 91cm)
<b>Weight</b>	7.8 lbs (3.5kg)

Specifications subject to change without notice.

## DIMENSIONS & DIAGRAMS



Advanced Technology Video, Inc.  
10940 NE 33rd Place, Suite 101, Bellevue, WA 98004  
888/228-7644 Fax 425/284-2952  
www.atvideo.com