

**PI-310 VR
PI-610 VR**

Outdoor vandal-resistant PIR case camera

- Superb picture quality
- Heavy-duty, powder-coated, die-cast aluminium housing with smoked polycarbonate viewing window
- Comes with free optional clear viewing window
- Screw-entry conduit point for vandal-resistant cabling
- Camera module mounted manually adjustable 'swivel and tilt' cradle for exact camera positioning



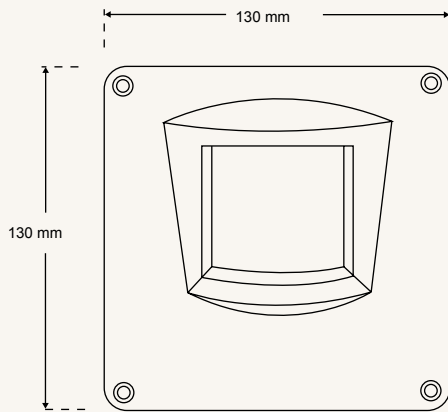
→ **Technical data**

	PI-310VR	PI-610VR
Video		
Image sensor	1/3" CCD sensor, 512 (H) x 582 (V) pixels	1/3" CCD sensor, 500(H) x 582 (V) pixels
Horizontal resolution	380 TV lines or greater	330 TV lines or greater
Lens options	4 mm; 2.5 mm; 6.0 mm; 8.0 mm; 12 mm	4 mm; 2.3 mm; 5.6 mm; 8.0 mm; 16 mm
Electronic shutter	Automatic linear shutter	Automatic linear shutter
Sensitivity	0.3 lux	2.5 lux
Video output	CCIR, 1Vp-p, 75 Ohms	PAL, 1 Vp-p, 75 Ohms
Supply voltage	12 V dc ± 10%	12 V dc ± 10%
Working temperature	-18°C to +60°C	-5° to +40° C
Dimensions	130 x 130 x 83 mm (H x W x D)	130 x 130 x 83 mm (H x W x D)

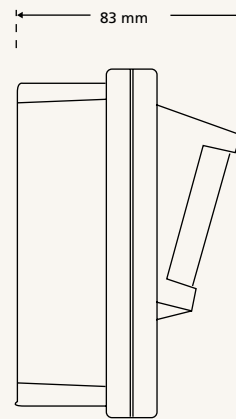
PI-310VR & PI-610VR

→ Dimensions

Front View



Side View



→ How to order

PI-310VR-SE	Outdoor vandal-resistant monochrome PIR case camera, 4 mm lens
PI-310VR/2.5-SE	As PI-310VR, 2.5 mm lens
PI-310VR/6.0-SE	As PI-310VR, 6.0 mm lens
PI-310VR/8.0-SE	As PI-310VR, 8.0 mm lens
PI-310VR/12.0-SE	As PI-310VR, 12 mm lens
PI-610VR-SE	Outdoor vandal-resistant colour PIR case camera, 4 mm lens
PI-610VR/2.3-SE	As PI-610VR, 2.3 mm lens
PI-610VR/5.6-SE	As PI-610VR, 5.6 mm lens
PI-610VR/8.0-SE	As PI-610VR, 8.0 mm lens
PI-610VR/16.0-SE	As PI-610VR, 16 mm lens
PI-X10VR/B-SE	Multi-directional wall/corner-mount bracket

Interlogix UK Limited

Unit 5, Ashton Gate,
Ashton Road, Harold Hill,
Romford, Essex RM3 8UF
Tel. 01708-381496
Fax 01708-381371

www.aritech.com

Interlogix Ireland Limited

Taurus Business Centre
Greenhills Road
Tallaght, Dublin 24
Tel. 01-459.97.60
Fax 01-452.74.48

Interlogix Europe & Africa

Headquarters
Excelsiorlaan 28
B-1930 Zaventem
Tel. 02-725 11 20
Fax 02-721 40 47

Sales Offices: Austria, Baltic States, Belgium, Czech Republic, Denmark, Eastern Europe, France, Germany, Greece, Hungary, Ireland, Italy, Netherlands, Norway, Poland, Portugal, Slovak Republic, South Africa, Spain, Sweden, U.K.

LFPI-310/610VR 03 Rev. 1 0701/UK

Aritech reserves the right to change specifications without notice.
Aritech is a trademark of Interlogix B.V.