



LENS4-13

**Megapixel resolution, true Day/Night
 Wide vari-focal, Manual Iris**

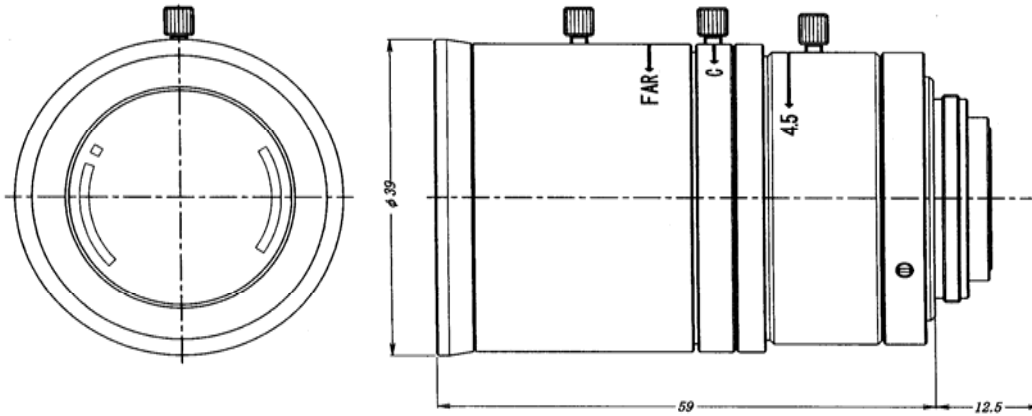


Image Format	1/2-inch (image circle : ϕ 8.8mm)									
Focal Length	4.5 - 13.0mm									
Max. Aperture	F= 1.8									
Iris Operation	Manual									
Iris Range	F1.8 - Close									
View Angle	<table border="0"> <tr> <td>Horizontal:</td> <td>Wide 90° 3</td> <td>Tele 31° 2</td> </tr> <tr> <td>Vertical:</td> <td>Wide 66° 6</td> <td>Tele 24° 0</td> </tr> <tr> <td>Diagonal:</td> <td>Wide 114° 3</td> <td>Tele 39° 9</td> </tr> </table>	Horizontal:	Wide 90° 3	Tele 31° 2	Vertical:	Wide 66° 6	Tele 24° 0	Diagonal:	Wide 114° 3	Tele 39° 9
Horizontal:	Wide 90° 3	Tele 31° 2								
Vertical:	Wide 66° 6	Tele 24° 0								
Diagonal:	Wide 114° 3	Tele 39° 9								
Lens Mount	CS-mount									
MOD(Minimum Object Distance)	0.5m									
Back Focal Length	6.67mm									
Dimensions	ϕ 39.0mm x 59.0mm									